

SF-2400 SF-2450



► Description

Sensor Activated, Electronic, Pedestal Hand Washing Faucet for tempered or hot/cold water operation.

► Models

- SF-2400 Series 6 VDC Plug-in Transformer Powered with Battery Backup
- SF-2450 Series Battery Powered

► Flow Rate

- 0.5 gpm/1.9 Lpm Max Flow Spray Head

► Specifications

ADA Compliant, Sensor Activated, 6 VDC, Chrome Plated Brass, Pedestal Hand Washing Faucet with the following features:

- Splash-proof Circuit Control Module
- Adjustable Infrared Sensor Range
- 36" (914 mm) Long Sensor Cable
- 24" (610 mm) Long Flex Hose
- Filtered Solenoid Valve with serviceable Strainer Filter
- Bak-Chek® Tee for Hot/Cold Supply
- 6 VDC Plug-in Transformer (Model SF-2400 only)
- Non-aerated Spray Head
- Includes Four (4) AA-size Batteries
- Includes appropriate Mounting Hardware
- Trim Plate Kit for 4" (102 mm) Centerset Sink

► Variations (add suffix to Model Number for inclusion with Faucet)

• Trim Plates (specify one)

- 4 4" Trim Plate for 4" Centerset Sink
- 8 8" Trim Plate for 8" Centerset Sink

• Temperature Mixing Valve

- BDM** MIX-60-A Below Deck Mechanical Mixing Valve

► Accessories (specify separately)

• Standard Outlets

- SFP-13** 0.5 gpm/1.9 Lpm Spray Head
- SFP-23** 2.2 gpm/8.3 Lpm Aerator

• Vandal Resistant Outlets

- EAF-15** 0.5 gpm/1.9 Lpm Aerator
- SFP-24** 2.2 gpm/8.3 Lpm Aerator

• Transformers

- SFP-6** 120 VAC/6 VDC Plug-in Transformer
- SFP-20** 240 VAC/6 VDC Type G Rectangular (UK) Plug-in Transformer
- SFP-25** 240 VAC/6 VDC Type C Round Pin (Euro) Plug-in Transformer
- SFP-26** 240 VAC/6 VDC Type A Flat Blade (Asia) Plug-in Transformer
- SFP-35-A** Gang Transformer Kit, includes 1 Plug-in Gang Transformer, 5 Splitter Cables and 1 Extension Cable
- SFP-36** 71" (1800 mm) 120 VAC/6 VDC Plug-in Gang Transformer
- SFP-38** 51" (1300 mm) Splitter Cable
- SFP-37** 51" (1300 mm) Extension Cable

► ADA Compliant

► Automatic

Sloan SF-2400 and SF-2450 Electronic Pedestal Hand Washing Faucets operate by means of an infrared sensor. When the user enters the sensor's effective range, the Solenoid activates the water flow. Tempered water flows from the Faucet until the user steps away. The Faucet then automatically shuts off.

► Hygienic

The ultimate in sanitary protection — there are no handles to turn or buttons to push. Helps to control the spread of infectious diseases.

► Economical

Automatic operation provides water usage savings over other faucet devices. Reduces maintenance and operation costs.

► Warranty

1 year (limited)

► Compliant to:

ASME A112.18.1 and CSA B125.1



Listed by I.A.P.M.O.



This space for Architect/Engineer approval

Job Name _____ Date _____

Model Specified _____ Quantity _____

Variations Specified _____

Customer/Wholesaler _____

Contractor _____

Architect _____

The information contained in this document is subject to change without notice.

SF-2400 SF-2450

► Description

Sensor Activated, Electronic, Hand Washing Faucet for tempered or hot/cold water operation.

► Models

- SF-2400 Series 6 VDC Plug-in Transformer Powered with Battery Backup
- SF-2450 Series Battery Powered

► Flow Rate

□ 0.5 gpm/1.9 Lpm Max Flow Outlet

ELECTRICAL SPECIFICATIONS

► Control Circuit

6 VDC Input/Output

► Transformer

6 VDC Plug-in (Model 2400 only)

► Battery Life

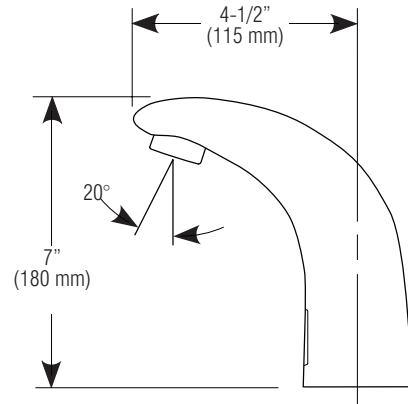
Four (4) Alkaline AA Batteries
2 years at 8,000 cycles/month

► Solenoid Valve

6 VDC,
Serviceable Strainer,
3/8" Compression Inlet,
1/2" NPSM Outlet

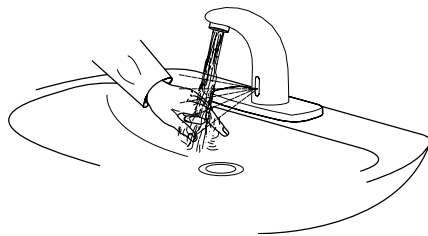
► Sensor Range

Nominal:
4" - 7" (102 mm - 178 mm)

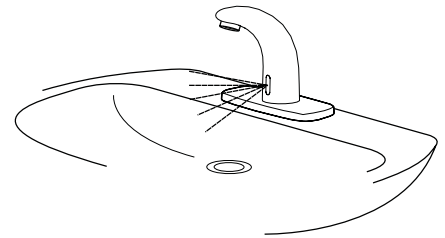


OPERATION

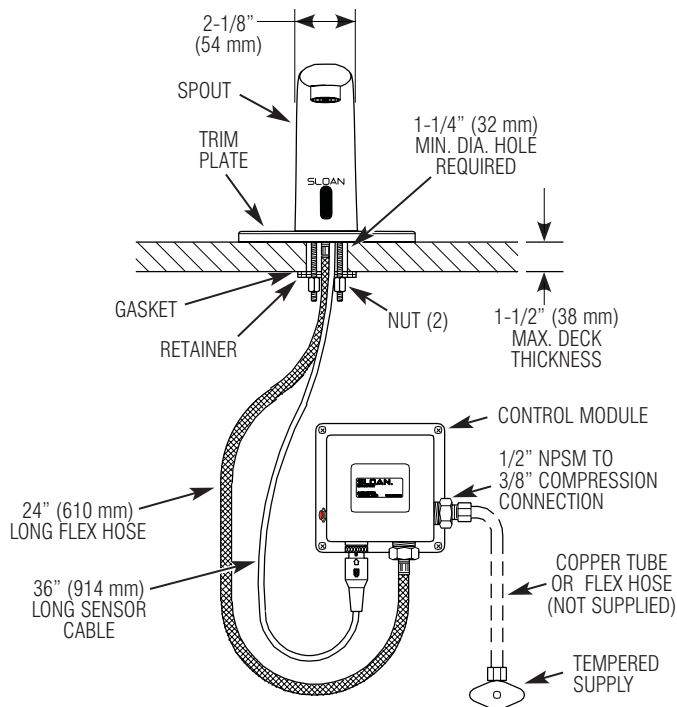
1. When a user's hands enter the sensing range, water flows from the spout.



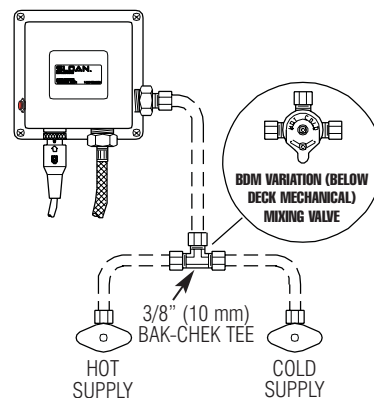
2. When hands are removed, the water flow stops.



ROUGH-IN DIMENSIONS



HOT AND COLD WATER SUPPLY APPLICATIONS (SPECIFY IN MODEL VARIATION)



SLOAN VALVE COMPANY • 10500 SEYMOUR AVENUE • FRANKLIN PARK, IL 60131

Phone: 1-800-982-5839 or 1-847-671-4300 • Fax: 1-800-447-8329 or 1-847-671-4380 • www.sloanvalve.com