

SPEAKMAN COMPANY

S-2310 Installation, Maintenance & Operation Instructions

VOLUME CONTROL

DESCRIPTION

Speakman polished chrome plated brass thumb operated volume control.

SPECIFICATIONS

1/2" NPT FEMALE INLET

1/2" NPT MALE OUTLET

SHIPPING WEIGHT: 0.5 LBS.

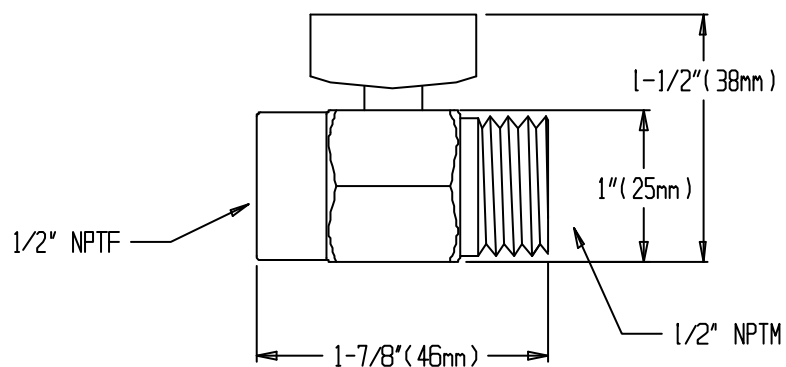
INSTALLATION

Apply teflon tape or pipe dope to male outlet threads. Attach volume control and wrench tighten. Check connection for leaks. Simply rotate the thumb operated handle to the desired flow rate.

MAINTENANCE

The gleaming finish of your SPEAKMAN S-2310 volume control can be cleaned by using mild soap and warm water. Dry immediately with a soft, clean cloth for best results.

ROUGH-IN MEASUREMENTS



Product improvements may cause specification and dimensional changes without notice.

SPEAKMAN®

PO Box 191 Wilmington, DE 19899 Phone: 800-537-2107 Fax: 800-977-2747
Visit us on the web at www.speakmancompany.com

09/07
REV 1
92-1805