

# SPEAKMAN®

## SE-580

### EYESAVER® EYEWASH

#### DESCRIPTION

The SE-580 Eyesaver® eyewash features a plastic bowl, dual aerated spray heads with automatic flow controls and flip-top dust covers.

#### SPECIFICATIONS

**Bowl:** Yellow ABS plastic

**Spray Heads:** (2) aerated yellow ABS plastic spray outlets with flip-top dust caps

**Valve:** 1/2" NPT female brass, chrome-plated

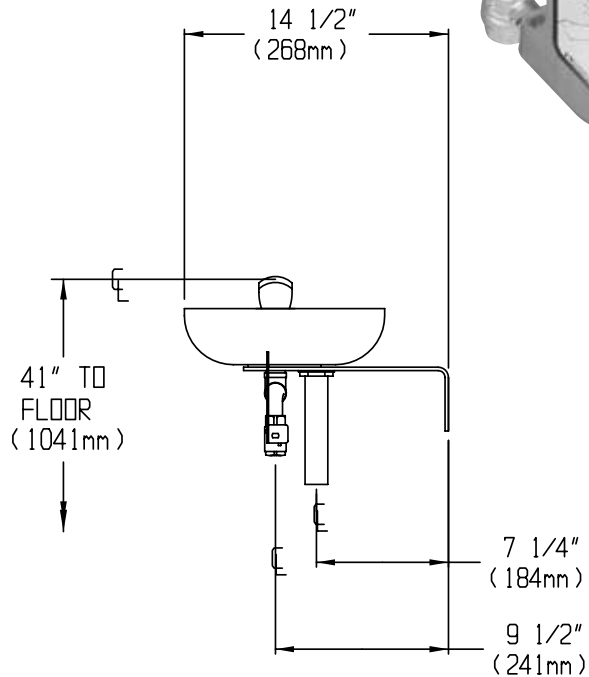
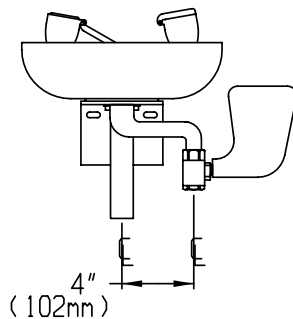
**Activator:** Stainless steel push handle

**Inlet:** 1/2" NPT female

**Performance:** 3.6 gpm @ 30 psi

**Compliance:** ANSI Z358.1

**Universal Emergency Sign Included**



#### OPTIONS

- FLW Flow switch
- FPV Freeze protection valve
- HFO Hand/Foot operation
- HS Hand-held spray
- ILS In-line strainer
- PT P-trap
- SPV Scald protection valve
- SSBV Stainless steel ball valve

Job Name _____
Location _____
Architect/Engineer _____
Sales Representative _____
Wholesaler _____
Date _____ Model # _____