

# SPEAKMAN COMPANY

## Alexandria Hand-held Shower/Tub Combination SM-6450-P

### DESCRIPTION

Speakman Alexandria Collection Combination Series unites the best products included in our Alexandria Series. The combination begins with our anti-scald balanced pressure valve with integral diverter and stops, featuring a brass body and adjustable temperature limit stop. The wall plate, handle, and diverter handle are designed with definitive Alexandria Collection styling. Piston type pressure balancing/ceramic regulating cartridge assembly with built-in check valves. Meets ASME A112.18.1 / CSA B125.1 & ASSE 1016 standards. The featured product in the Alexandria hand-held shower combination is the ANYSTREAM® VS-3011 hand shower with a 4" outer spray adjustment ring. Five self-cleaning plunger nozzles resist scale build-up and provide 50 spray streams for a full body coverage pattern. The center core nozzle delivers 12 massaging jets and a combination spray is included. Water-conserving pressure compensating AUTOFLO® device reduces flow to 2.5 GPM / 9.46 LPM maximum, to meet existing ANSI A112.18.1 Standard. To control the water supply between the VS-155 supply elbow and VS-3011 is our VS-156 ADA compliant volume control. The adjustability of your Alexandria SA-1102 slide bar will allow you to choose the perfect height to rest your hand shower. Also included in this package is the brass S-1559 Alexandria tub spout, matched to the styling of the other combination components.

### SPECIFICATIONS

SM-6400-P Anti-Scald Balanced Pressure Valve:

Connections: 1/2" female copper sweat inlets & shower outlet; 1/2" NPT female tub outlet

Flow Rate: For use with showerheads rated at 2.0 GPM (7.6 LPM) or higher

VS-3011 Hand-Held Shower:

Supply: 1/2" NPT female

Flow Rate: 2.5 GPM / 9.46 LPM MAX

VS-155 Supply Elbow:

Supply: 1/2" NPT female inlet

Outlet: 1/2" NPSM male outlet

VS-156 Volume Control:

Supply: 1/2" NPSM male inlet

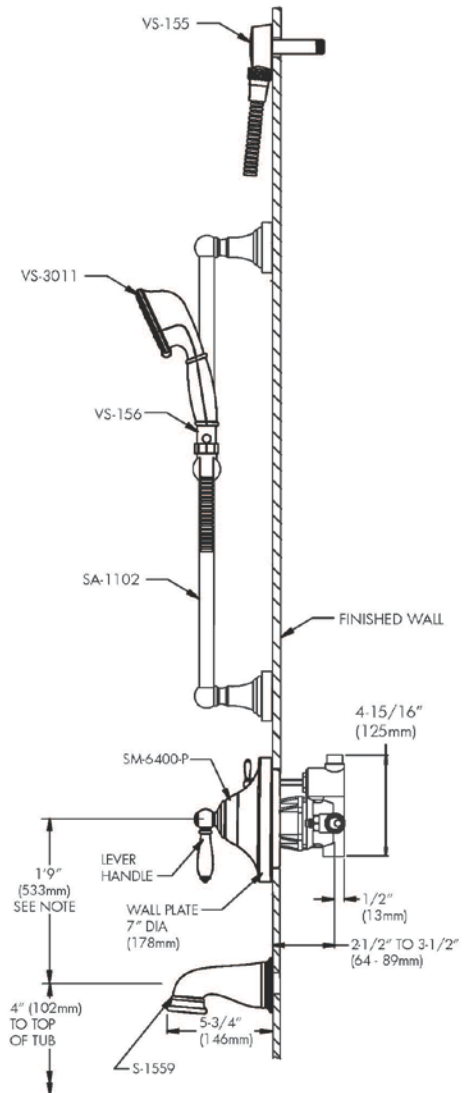
Outlet: 1/2" NPSM female outlet

S-1559 Tub Spout:

Supply: 1/2" copper pipe slip fit

### INSTRUCTIONS

See individual products for installation of the components and warranty information.



### ROUGH-IN