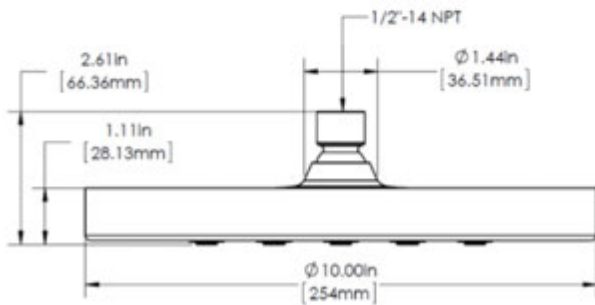
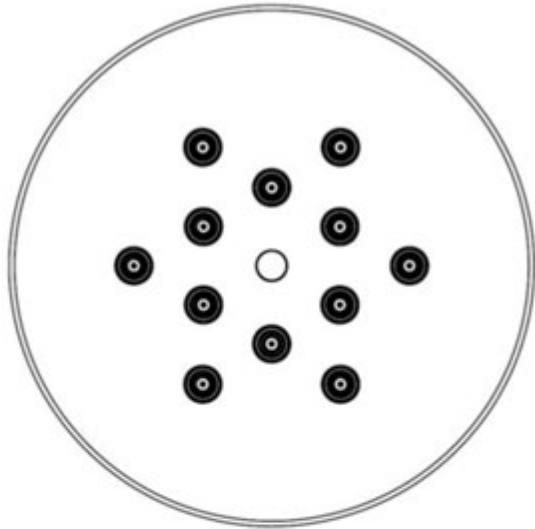


# SPEAKMAN DOWNPOUR RAIN

## Showerhead S-2760

SPECIFICATION



### FEATURES:

- Modern round design
- 10 in. diameter face
- 96 spray channels from 12 jets
- 2.5 gpm (9.5 L/min) flow rate

### AVAILABLE FINISHES:

ADD SUFFIX TO MODEL #

- Polished Chrome (standard)
- Brushed Nickel  -BN

### COMPLIANCE:

- Certified to ASME A112.18.1/CSA B125.1 standards

### WARRANTY:

- 1 year limited

NOTE: 1. All dimensions are in inches (millimeters) unless otherwise specified and are subject to change without notice.

THIS SPACE FOR ARCHITECT/ENGINEER APPROVAL.

# SPEAKMAN®

400 ANCHOR MILL ROAD | NEW CASTLE, DE 19720  
P: 800-537-2107 | F: 800-977-2747  
WWW.SPEAKMANCOMPANY.COM



REVISION DATE: SEPT. 2012