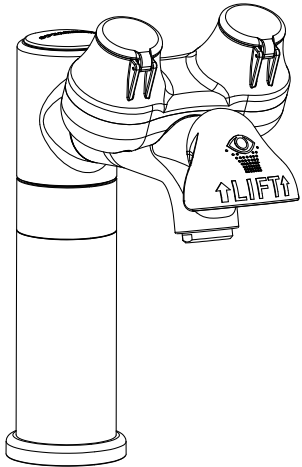


## Instructions for Models:

# SEF-2001 SEF-2001-8 EYESAVER® Combination Faucet Spout



### Need Help?

For additional assistance or service call:

**SPEAKMAN** Company  
400 Anchor Mill Road  
New Castle, DE 19720

PHONE: 800-537-2107  
EMAIL: [customerservice@speakmancompany.com](mailto:customerservice@speakmancompany.com)  
WEB: [www.speakmancompany.com](http://www.speakmancompany.com)

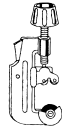
92-SEF-2001-R1

## What You Need To Know:

### Tools:

#### Required:

Tube  
Cutter



Crescent  
Wrench



#### Helpful:

Basin  
Wrench



Flat Head  
Screwdriver



### Important Notes:

The supply line for this unit shall provide an uninterrupted supply of flushing fluid at a minimum of 30 psi flowing pressure. If shut off valves are installed in the supply line of the eyewash, provisions shall be made to prevent unauthorized shut off. ANSI Z358.1 requires that all emergency equipment shall be tested weekly to verify proper operation and inspected annually to assure conformance with ANSI Z358.1 requirements. Be sure to read instructions thoroughly before beginning installation. Do not overtighten any connections or damage may occur.

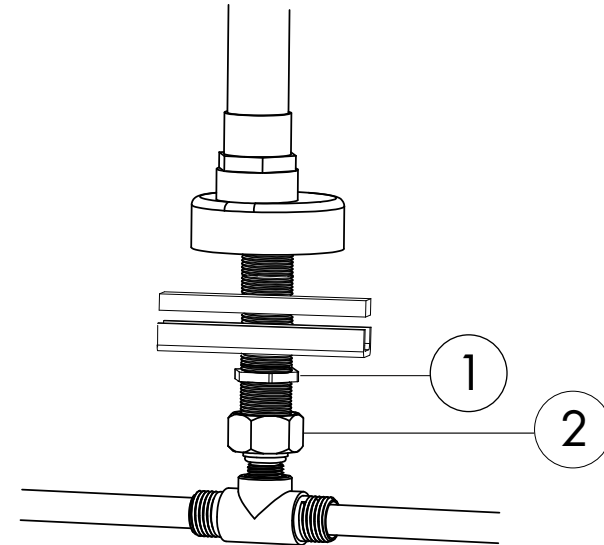
### Safety Tips:

Cover your drain to prevent loss of parts. Always wear eye protection.

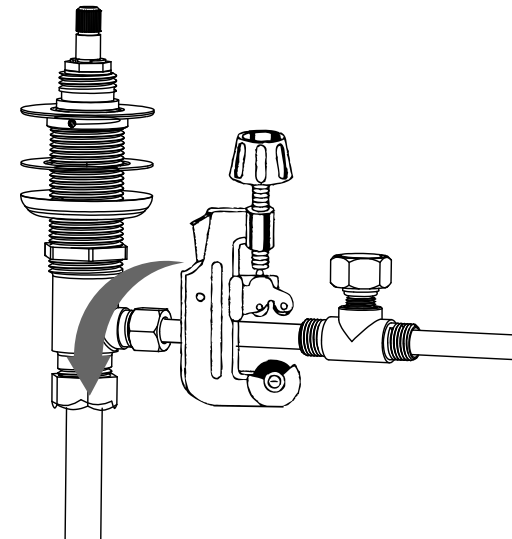
### Maintenance:

Keep the EYESAVER® faucet spout looking new by cleaning it periodically with a soft cloth. Avoid abrasive cleaners, steel wool, and harsh chemicals as these will dull the finish and void your warranty.

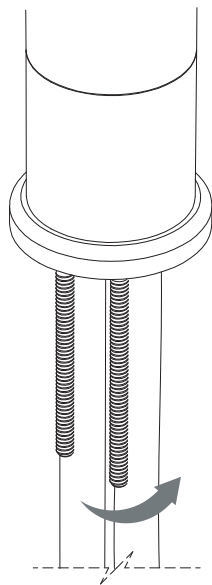
- 1 Turn off water supplies. Loosen and screw down the Spout Shank Nut (1). Unscrew Tee Nut (2) from Spout Shank. Remove Shank Nut (1), mounting hardware, and then remove Spout from counter top.



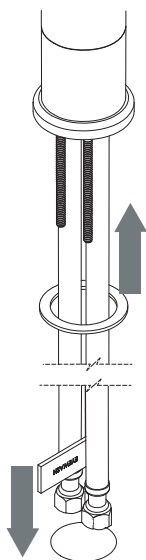
- 2 Using a Tube Cutter, cut the copper tubing between each End Body and the Tee Assembly. Remove and discard remaining copper tube and Capture Nuts from End Bodies. Remove COLD supply line from wall stop and COLD End Body.



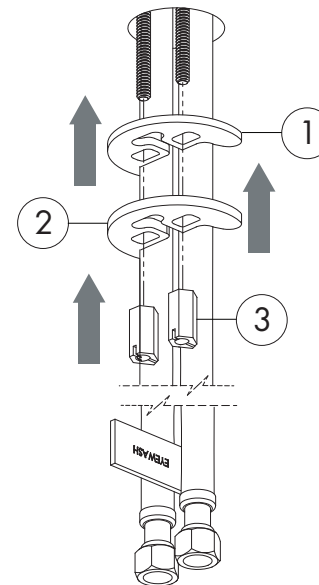
- 3 With Spout fully removed, verify diameter of hole in counter top is a minimum of 1-1/4". Install mounting studs into base of Spout.



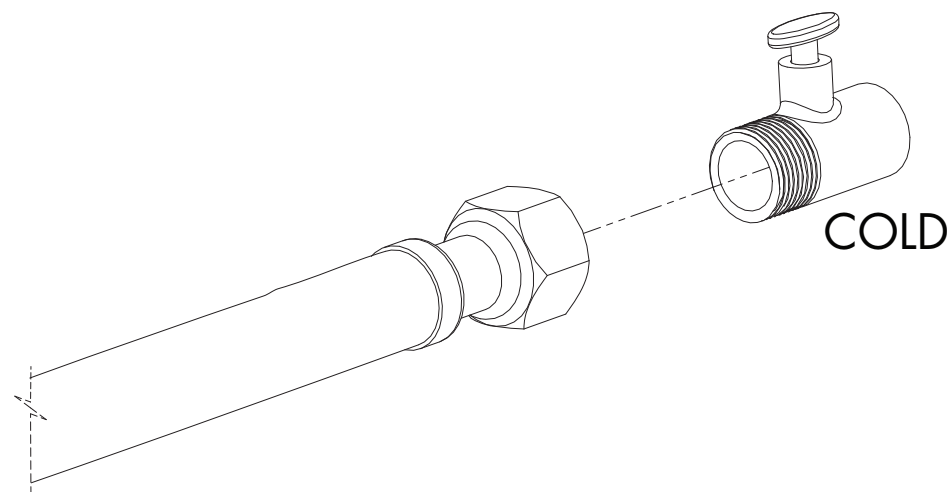
- 4 Install Bottom Washer over hoses and slide up to meet the base of the Spout. Place hoses through hole in countertop/sink one at a time. Lower Spout Assembly through hole.



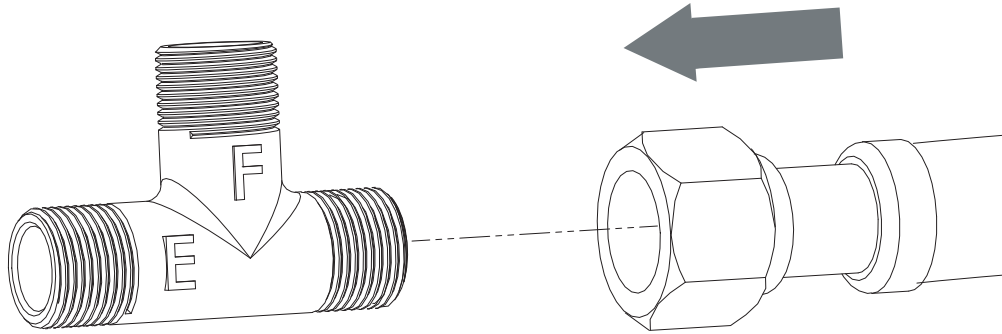
- 5 From beneath countertop, install Rubber Mounting Washer (1), Brass Mounting Washer (2) and Brass Mounting Nuts (3). Align Spout square to sink and tighten Mounting Nuts (3).



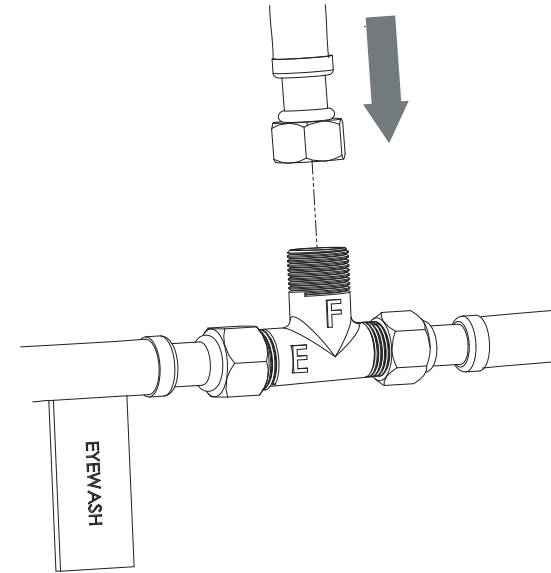
- 6 Retrieve the 6" long hose with a BLUE stripe from the box and connect one end to the COLD supply valve. Wrench tighten.



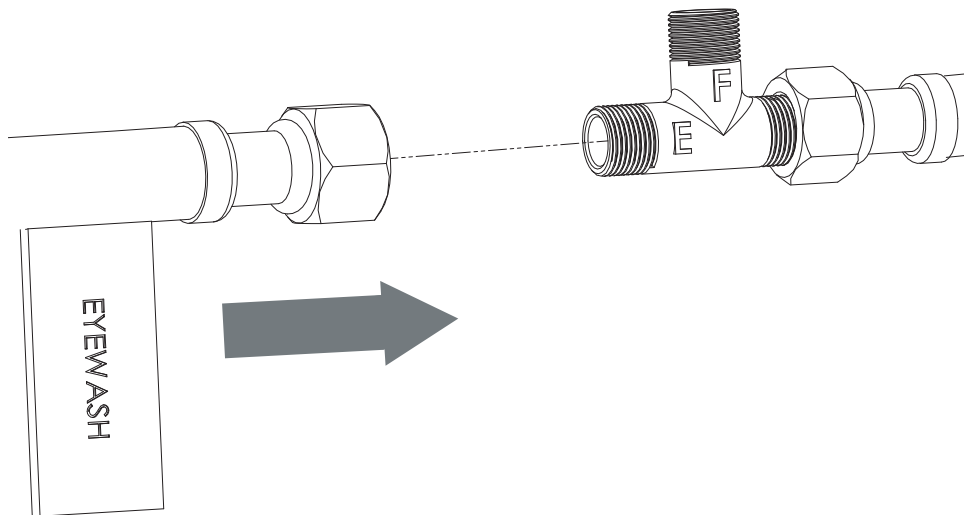
- 7 Locate the Supply Tee with check valves installed. Connect remaining end of hose to the port with no markings. Wrench tighten.



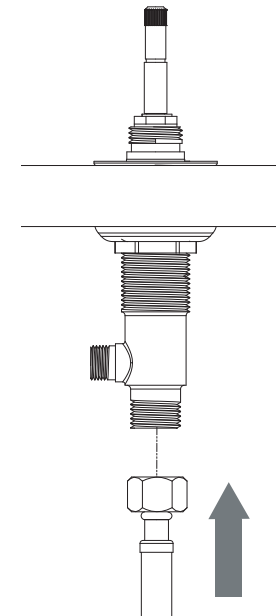
- 9 Retrieve supplied hose with a 3/8" fitting on one end, and a 1/2" fitting on the other. Connect 3/8" fitting end to the "F" port of the Tee with check valves. Wrench tighten.



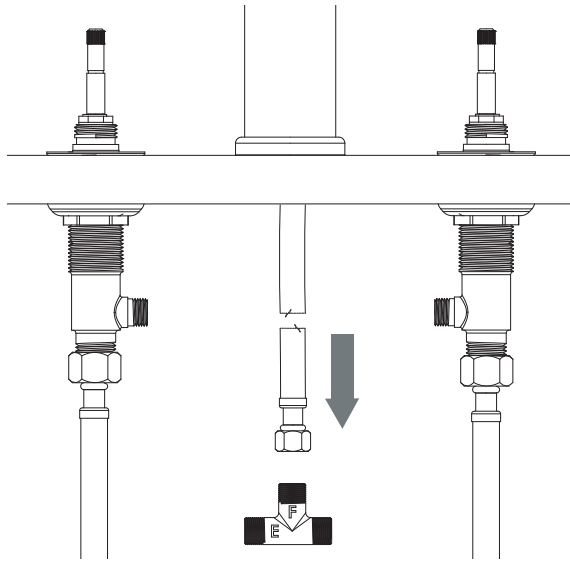
- 8 Locate the hose labeled "EYEWASH" that is pre-installed in the base of the SEF-2001. Connect this hose to the "E" port of the Tee with check valves. Wrench tighten.



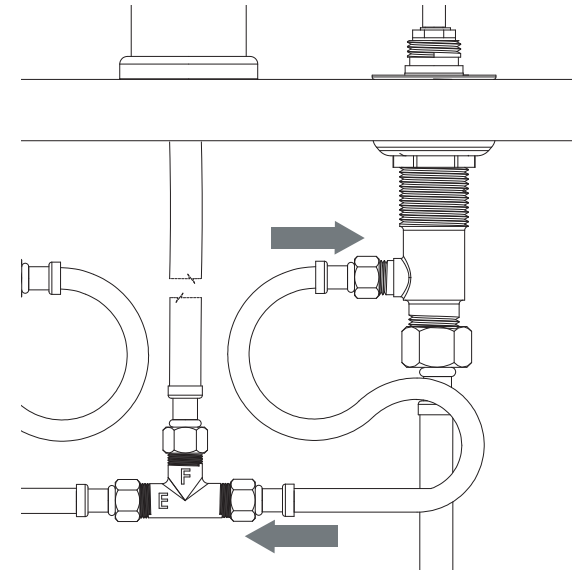
- 10 Connect the remaining end of the hose (with 1/2" fitting) to the bottom port of the COLD End Body. Wrench tighten.



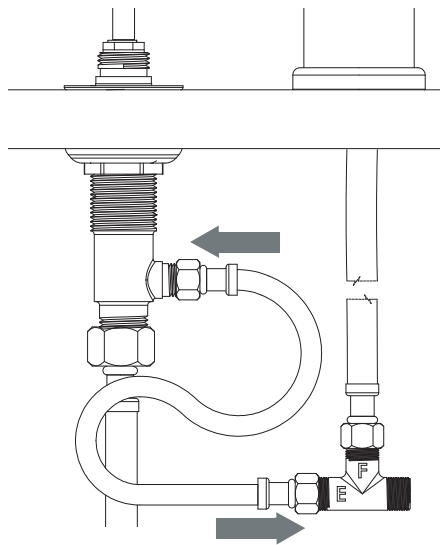
- 11 Retrieve the Supply Tee with no check valves. Connect the "F" port of the Supply Tee to the remaining hose pre-installed in the base of the SEF-2001. Wrench tighten.



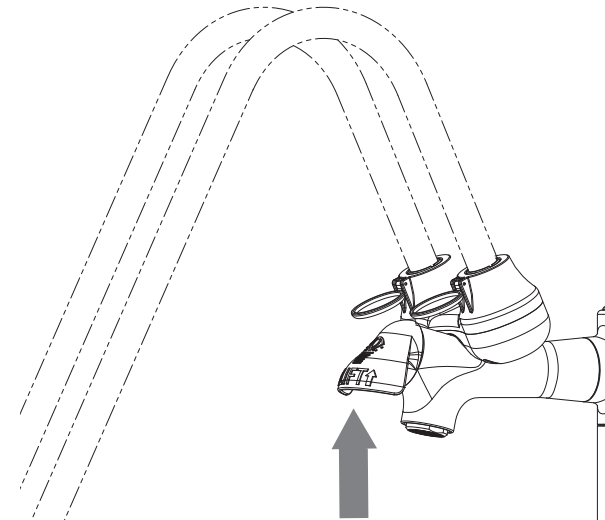
- 13 Connect one end of the remaining hose to the blank port of the Supply Tee with no check valves. Connect the remaining end to the 3/8" port of the COLD End Body. Wrench tighten.



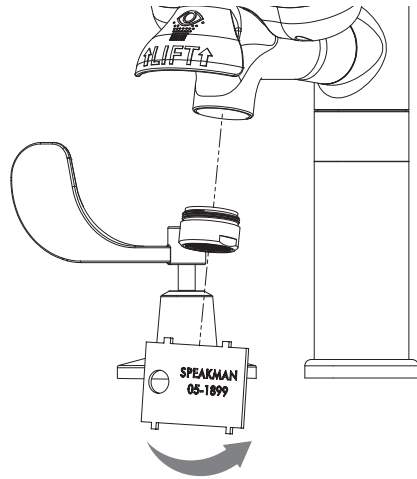
- 12 Retrieve the two (2) remaining supplied hoses. Take the first hose and connect one end to the "E" port of the Supply Tee with no check valves. Connect the remaining end to the 3/8" port of the HOT End Body. Wrench tighten.



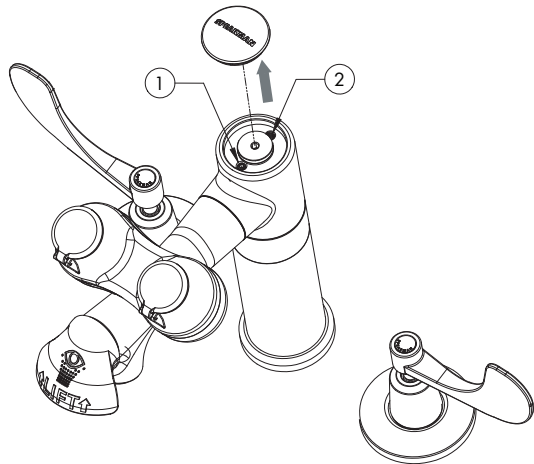
- 14 **NOTE: Before testing, you must remove tape from Eyewash Caps.** Turn on water supplies and check for leaks. Activate Eyewash by lifting activation handle and check for proper function using the chart at the the end of this document.



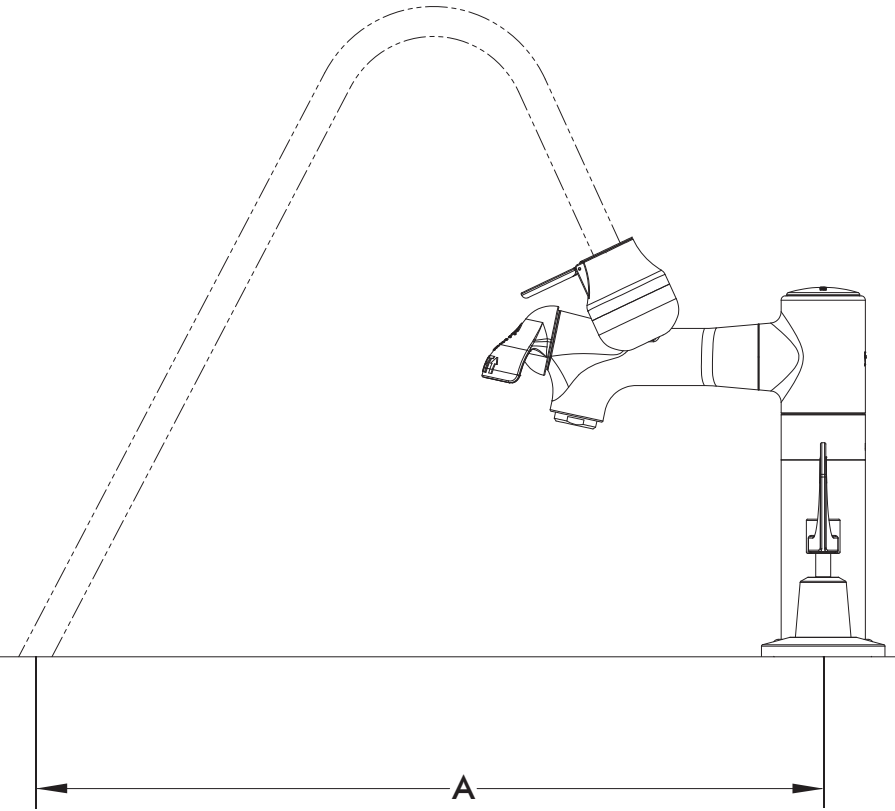
- 15 Turn on HOT and COLD handles of Faucet and allow water to run for one minute to flush any debris from Faucet. Install the Aerator with the supplied Aerator Wrench.



- 16 The spout was designed to swivel from left to right. If a non-swivel Spout is preferred, remove Top Cover from Body. Remove allen head Set Screw from position (1) as seen below. Center the Spout between the handles and install the previously removed Set Screw into position (2) and tighten (DO NOT OVERTIGHTEN). Replace Cap.



## Eyewash Flow Data



SEF-2001

FLOWING PRESSURE		FLOW RATE		PLUME DISTANCE "A"	
psi	bar	gpm	L/min	in.	cm.
30	2.07	2.14	8.1	12	30.5
40	2.76	2.25	8.5	13	33.0
50	3.45	2.49	9.4	15	38.1
60	4.14	2.70	10.2	18	45.7
70	4.83	2.95	11.2	21	53.3
80	5.52	3.09	11.7	24	61.0

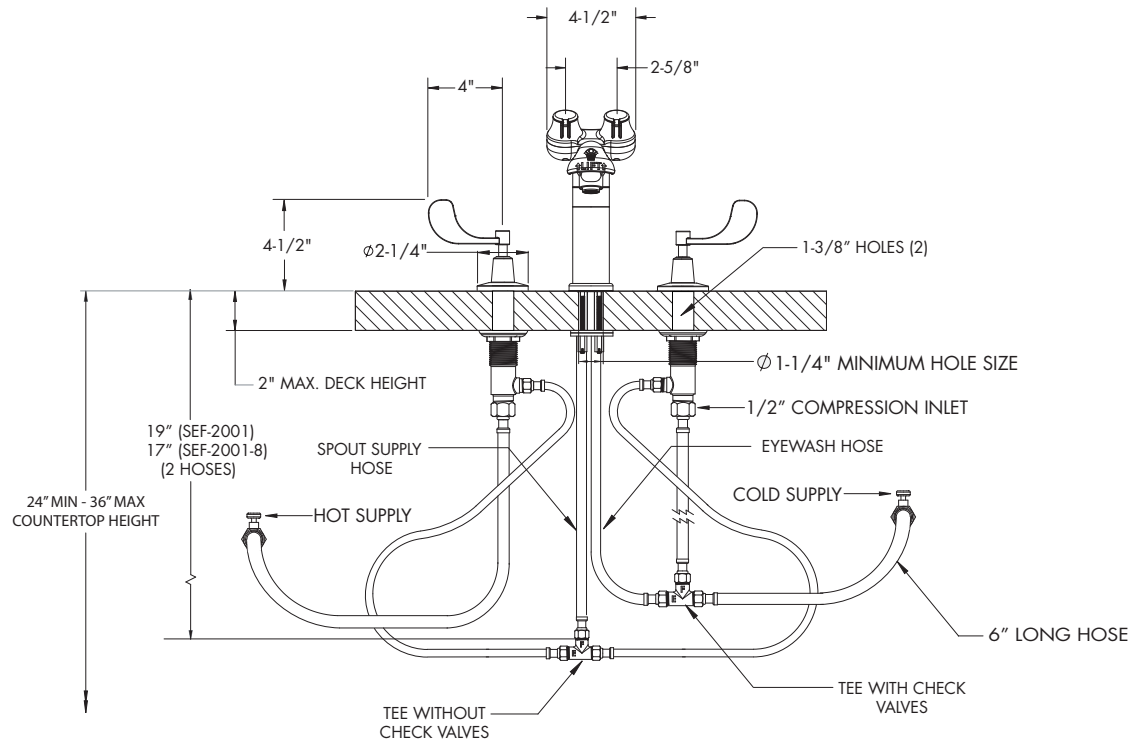
SEF-2001-8

FLOWING PRESSURE		FLOW RATE		PLUME DISTANCE "A"	
psi	bar	gpm	L/min	in.	cm.
30	2.07	2.15	8.1	17	43.2
40	2.76	2.24	8.5	18	45.7
50	3.45	2.47	9.3	20	50.8
60	4.14	2.71	10.3	23	58.4
70	4.83	2.95	11.2	27	68.6
80	5.52	3.13	11.8	29	73.7

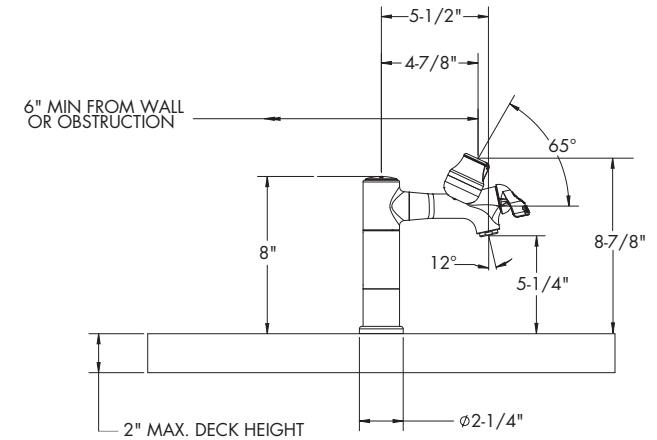
NOTE: If plume heights are low, check to ensure that your Supply Valves are fully open. If there is a noticeable height difference between the two plumes, remove the Aerators and Flow Controls and remove any debris that would inhibit the flow of water.

# ROUGH-IN MEASUREMENTS

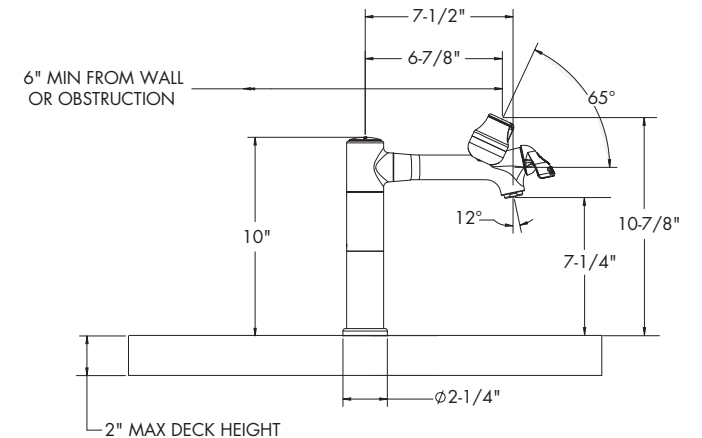
## FRONT VIEW



## SEF-2001 SIDE VIEW (LESS HOSES)



## SEF-2001-8 SIDE VIEW (LESS HOSES)



## REPAIR PARTS

G05-0872-PC	1.5 GPM FAUCET AERATOR
RPG05-0908	EYEWASH AERATORS, FLOW CONTROL ADAPTERS, ADAPTER WASHERS, AND FLOW CONTROLS
RPG04-0409	EYEWASH HANDLE WITH YELLOW TEXT AND SET SCREW
RPG05-0910	UPPER EYEWASH COVER WITH FLIP CAPS
RPG05-0909	EYEWASH CARTRIDGE
RPG49-0009	SPOUT QUAD RINGS (3) AND FRICTION WASHER (2)
G01-0053	MOUNTING HARDWARE GROUP
RPG41-0120	SPOUT INDEX BUTTON
G05-0627	CHECK VALVE (FOR TEE)

NOTE: UNLESS OTHERWISE SPECIFIED, ALL INLETS ARE 3/8" COMPRESSION WITH FEMALE THREADS. UNLESS OTHERWISE SPECIFIED, ALL DIMENSIONS ARE IN INCHES AND ARE SUBJECT TO CHANGE WITHOUT NOTICE.