

BOSTITCH®

RN46

COIL-FED PNEUMATIC ROOFING NAILER

CLAVADORA NEUMÁTICA ALIMENTADA POR ROLLO PARA TECHADO

CLOUEUR PNEUMATIQUE À ENROULEMENT POUR TOITURE



OPERATION and MAINTENANCE MANUAL MANUAL DE OPERACIÓN Y DE MANTENIMIENTO MANUEL D'INSTRUCTIONS ET D'ENTRETIEN

⚠ WARNING:

BEFORE OPERATING THIS TOOL, ALL OPERATORS SHOULD STUDY THIS MANUAL TO UNDERSTAND AND FOLLOW THE SAFETY WARNINGS AND INSTRUCTIONS. KEEP THESE INSTRUCTIONS WITH THE TOOL FOR FUTURE REFERENCE. IF YOU HAVE ANY QUESTIONS, CONTACT YOUR BOSTITCH REPRESENTATIVE OR DISTRIBUTOR.

⚠ ADVERTENCIA:

ANTES DE OPERAR ESTA HERRAMIENTA, TODOS LOS OPERADORES DEBERÁN ESTUDIAR ESTE MANUAL PARA PODER COMPRENDER Y SEGUIR LAS ADVERTENCIAS SOBRE SEGURIDAD Y LAS INSTRUCCIONES. MANTENGA ESTAS INSTRUCCIONES CON LA HERRAMIENTA PARA FUTURA REFERENCIA, SI TIENE ALGUNA DUDA, COMUNÍQUESE CON SU REPRESENTANTE DE BOSTITCH O CON SU DISTRIBUIDOR.

⚠ ATTENTION:

LIRE ATTENTIVEMENT LE PRÉSENT MANUEL AVANT D'UTILISER L'APPAREIL. PRÊTER UNE ATTENTION TOUTE PARTICULIÈRE AUX CONSIGNES DE SÉCURITÉ ET AUX AVERTISSEMENTS. GARDER CE MANUEL AVEC L'OUTIL POUR FUTUR RÉFÉRENCE. SI VOUS AVEZ DES QUESTIONS, CONTACTEZ VOTRE REPRÉSENTANT OU VOTRE CONCESSIONNAIRE BOSTITCH.

BOSTITCH®

STANLEY FASTENING SYSTEMS L.P.

INTRODUCTION

The Bostitch RN46 is a precision-built tool, designed for high speed, high volume fastening. These tools will deliver efficient, dependable service when used correctly and with care. As with any fine tool, for best performance the manufacturer's instructions must be followed. Please study this manual before operating the tool and understand the safety warnings and cautions. The instructions on installation, operation and maintenance should be read carefully, and the manual kept for reference. NOTE: Additional safety measures may be required because of your particular application of the tool. If you have any questions concerning the tool and its use call Bostitch Customer Service at 1-800-556-6696 or write to: Bostitch Customer Service, Briggs Drive, East Greenwich, RI 02818. You may also consult www.bostitch.com

INDEX

Safety Instructions	3
Tool Specifications	4
Operation	4
Air Supply and Connections	5
Lubrication	5
Loading the Tool	6
Dial-A-Depth	7
Tool Operation	8
Maintaining the Pneumatic Tool	9
Driver Maintenance.	10
Trouble Shooting	11

NOTE:

Bostitch tools have been engineered to provide excellent customer satisfaction and are designed to achieve maximum performance when used with precision Bostitch fasteners engineered to the same exacting standards. **Bostitch cannot assume responsibility for product performance if our tools are used with fasteners or accessories not meeting the specific requirements established for genuine Bostitch nails, staples and accessories.**



LIMITED WARRANTY — U.S. and Canada Only

Effective December 1, 2005 Bostitch, L.P. warrants to the original retail purchaser that the product purchased is free from defects in material and workmanship, and agrees to repair or replace, at Bostitch's option, any defective Bostitch branded pneumatic stapler or nailer for a period of seven (7) years from date of purchase (one (1) year from the date of purchase for compressors and tools used in production applications). Warranty is not transferable. Proof of purchase date required. This warranty covers only damage resulting from defects in material or workmanship; it does not cover conditions or malfunctions resulting from normal wear, neglect, abuse, accident or repairs attempted or made by other than our national repair center or authorized warranty service centers. Driver blades, bumpers, o-rings, pistons and piston rings are considered normally wearing parts. For optimal performance of your Bostitch tool always use genuine Bostitch fasteners and replacement parts.

THIS WARRANTY IS IN LIEU OF ALL OTHER WARRANTIES, EXPRESS OR IMPLIED, INCLUDING BUT NOT LIMITED TO THE IMPLIED WARRANTIES OF MERCHANTABILITY OR FITNESS FOR A PARTICULAR PURPOSE. BOSTITCH SHALL NOT BE LIABLE FOR ANY INCIDENTAL OR CONSEQUENTIAL DAMAGES.

Some states and countries do not allow limitations on how long an implied warranty lasts, or the exclusion or limitation of incidental or consequential damages, so the above limitations or exclusions may not apply to you. This warranty gives you specific legal rights, and you may also have other rights which vary from state to state and country to country.

To obtain warranty service in the U.S. return the product, together with proof of purchase, to the U.S. Bostitch National or Regional Independent Authorized Warranty Service Center. In the U.S. you may call us at 1-800-556-6696 or visit www.BOSTITCH.com for the location most convenient for you. In Canada please call us at 800-567-7705 or visit www.BOSTITCH.com

SAFETY INSTRUCTIONS

⚠WARNING:

EYE PROTECTION which conforms to ANSI specifications and provides protection against flying particles both from the FRONT and SIDE should ALWAYS be worn by the operator and others in the work area when connecting to air supply, loading, operating or servicing this tool. Eye protection is required to guard against flying fasteners and debris, which could cause severe eye injury.



The employer and/or user must ensure that proper eye protection is worn. Eye protection equipment must conform to the requirements of the American National Standards Institute, ANSI Z87.1 and provide both frontal and side protection. NOTE: Non-side shielded spectacles and face shields alone do not provide adequate protection.



CAUTION: Additional Safety Protection will be required in some environments. For example, the working area may include exposure to noise level which can lead to hearing damage. The employer and user must ensure that any necessary hearing protection is provided and used by the operator and others in the work area. Some environments will require the use of head protection equipment. When required, the employer and user must ensure that head protection conforming to ANSI Z89.1 is used.

AIR SUPPLY AND CONNECTIONS

⚠WARNING:

Do not use oxygen, combustible gases, or bottled gases as a power source for this tool as tool may explode, possibly causing injury.

⚠WARNING:

Do not use supply sources which can potentially exceed 200 P.S.I.G. as tool may burst, possibly causing injury.

⚠WARNING:

The connector on the tool must not hold pressure when air supply is disconnected. If a wrong fitting is used, the tool can remain charged with air after disconnecting and thus will be able to drive a fastener even after the air line is disconnected possibly causing injury.

⚠WARNING:

Do not pull trigger or depress contact arm while connected to the air supply as the tool may cycle, possibly causing injury.

⚠WARNING:

Always disconnect air supply: 1.) Before making adjustments; 2.) When servicing the tool; 3.) When clearing a jam; 4.) When tool is not in use; 5.) When moving to a different work area, as accidental actuation may occur, possibly causing injury.

LOADING TOOL

⚠WARNING:

When loading tool: 1.) Never place a hand or any part of body in fastener discharge area of tool; 2.) Never point tool at anyone; 3.) Do not pull the trigger or depress the trip as accidental actuation may occur, possibly causing injury.

OPERATION

⚠WARNING:

Always handle the tool with care: 1.) Never engage in horseplay; 2.) Never pull the trigger unless nose is directed toward the work; 3.) Keep others a safe distance from the tool while tool is in operation as accidental actuation may occur, possibly causing injury.

⚠WARNING:

The operator must not hold the trigger pulled on contact arm tools except during fastening operation as serious injury could result if the trip accidentally contacted someone or something, causing the tool to cycle.

⚠WARNING:

Keep hands and body away from the discharge area of the tool. A contact arm tool may bounce from the recoil of driving a fastener and an unwanted second fastener may be driven possibly causing injury.

⚠WARNING:

Check operation of the contact arm mechanism frequently. Do not use the tool if the arm is not working correctly as accidental driving of a fastener may result. Do not interfere with the proper operation of the contact arm mechanism.

⚠WARNING:

Do not drive fasteners on top of other fasteners or with the tool at an overly steep angle as this may cause deflection of fasteners which could cause injury.

⚠WARNING:

Do not drive fasteners close to the edge of the work piece as the wood may split, allowing the fastener to be deflected possibly causing injury.

⚠WARNING:

This nailer produces SPARKS during operation. NEVER use the nailer near flammable substances, gases or vapors including lacquer, paint, benzene, thinner, gasoline, adhesives, mastics, glues or any other material that is – or the vapors, fumes or byproducts of which are – flammable, combustible or explosive. Using the nailer in any such environment could cause an EXPLOSION resulting in personal injury or death to user and bystanders.

MAINTAINING THE TOOL

⚠WARNING:

When working on air tools note the warnings in this manual and use extra care when evaluating problem tools.

TOOL SPECIFICATIONS

All screws and nuts are metric

MODEL	TOOL ACTUATION	LENGTH	HEIGHT	WIDTH	WEIGHT
RN46-1	Contact Trip	10-1/2" (266.7mm)	10-5/8" (269.9mm)	4-5/8" (117.5mm)	4.8 lb (2.2 kg)
RN46-2	Sequential Trip	10-1/2" (266.7mm)	10-5/8" (269.9mm)	4-5/8" (117.5mm)	4.8 lb (2.2 kg)

FASTENER SPECIFICATIONS:

This tool uses coil roofing nails in lengths of 3/4" to 1-3/4" (19 - 45mm) with .120" (3mm) shank diameter.

TOOL AIR FITTING:

This tool uses a free-flow connector plug, 1/4 N.P.T. The inside diameter should be .200" (5mm) or larger. The fitting must be capable of discharging tool air pressure when disconnected from the air supply.

OPERATING PRESSURE:

70 to 120 p.s.i.g. (4.8 to 8.3). Select the operating pressure within this range for best fastener performance. **DO NOT EXCEED THE RECOMMENDED OPERATING PRESSURE.**

AIR CONSUMPTION:

The RN46 requires 3.9 cubic feet per minute (.11 cubic meters) of free air to operate at the rate of 100 nails per minute, at 80 p.s.i. (5.6 kg/cm²). Take the actual rate at which the tool will be run to determine the amount of air required. For instance, if your fastener usage averages 50 nails per minute, you need 50% of the tool's c.f.m. which is required to operate the tool at 100 nails per minute.

OPERATION

BOSTITCH offers two types of Operation for this series tool.

CONTACT TRIP

The common operating procedure on "Contact Trip" tools is for the operator to contact the work to actuate the trip mechanism while keeping the trigger pulled, thus driving a fastener each time the work is contacted. This will allow rapid fastener placement in many industrial applications. All pneumatic tools are subject to recoil when driving fasteners. The tool may bounce, releasing the trip, and if unintentionally allowed to recontact the work surface with the trigger still actuated (finger still holding trigger pulled) an unwanted second fastener will be driven.

SEQUENTIAL TRIP

The Sequential Trip requires the operator to hold the tool against the work before pulling the trigger. This makes accurate fastener placement easier, for instance on finish applications. The Sequential Trip allows exact fastener location without the possibility of driving a second fastener on recoil, as described under "Contact Trip". The Sequential Trip Tool has a positive safety advantage because it will not accidentally drive a fastener if the tool is contacted against the work – or anything else – while the operator is holding the trigger pulled.

MODEL IDENTIFICATION:

Refer to Operation Instructions on page 8 before proceeding to use this tool.

CONTACT TRIP

Identified by:
BLACK TRIGGER



SEQUENTIAL TRIP

Identified by:
GRAY TRIGGER



AIR SUPPLY AND CONNECTIONS

Do not use oxygen, combustible gases, or bottled gases as a power source for this tool as tool may explode, possibly causing injury.

FITTINGS:

Install a male plug on the tool which is free flowing and which will release air pressure from the tool when disconnected from the supply source.

HOSES:

Air hoses should have a minimum of 150 p.s.i. (10.6 kg/cm²) working pressure rating or 150 percent of the maximum pressure that could be produced in the air system. The supply hose should contain a fitting that will provide "quick disconnecting" from the male plug on the tool.

SUPPLY SOURCE:

Use only clean regulated compressed air as a power source for this tool. **NEVER USE OXYGEN, COMBUSTIBLE GASES, OR BOTTLED GASES, AS A POWER SOURCE FOR THIS TOOL AS TOOL MAY EXPLODE.**

REGULATOR:

A pressure regulator with an operating pressure of 0 - 125 p.s.i. (0 - 8.79 KG/CM²) is required to control the operating pressure for safe operation of this tool. Do not connect this tool to air pressure which can potentially exceed 200 p.s.i. (14 KG/CM²) as tool may fracture or burst, possibly causing injury.

OPERATING PRESSURE:

Do not exceed recommended maximum operating pressure as tool wear will be greatly increased. The air supply must be capable of maintaining the operating pressure at the tool. Pressure drops in the air supply can reduce the tool's driving power. Refer to "TOOL SPECIFICATIONS" for setting the correct operating pressure for the tool.

FILTER:

Dirt and water in the air supply are major causes of wear in pneumatic tools. A filter will help to get the best performance and minimum wear from the tool. The filter must have adequate flow capacity for the specific installation. The filter has to be kept clean to be effective in providing clean compressed air to the tool. Consult the manufacturer's instructions on proper maintenance of your filter. A dirty and clogged filter will cause a pressure drop which will reduce the tool's performance.

LUBRICATION

Frequent, but not excessive, lubrication is required for best performance. Oil added through the air line connection will lubricate the internal parts. Use BOSTITCH Air Tool Lubricant, Renolin HPL 46, or equivalent. Do not use detergent oil or additives as these lubricants will cause accelerated wear to the seals and bumpers in the tool, resulting in poor tool performance and frequent tool maintenance.

If no airline lubricator is used, add oil during use into the air fitting on the tool once or twice a day. Only a few drops of oil at a time is necessary. Too much oil will only collect inside the tool and will be noticeable in the exhaust cycle.

COLD WEATHER OPERATION:

For cold weather operation, near and below freezing, the moisture in the air line may freeze and prevent tool operation. We recommend the use of BOSTITCH WINTER FORMULA air tool lubricant or permanent antifreeze (ethylene glycol) as a cold weather lubricant.

CAUTION: Do not store tools in a cold weather environment to prevent frost or ice formation on the tools operating valves and mechanisms that could cause tool failure.

NOTE: Some commercial air line drying liquids are harmful to "O"-rings and seals – do not use these low temperature air dryers without checking compatibility.

LOADING THE RN46

⚠WARNING:



EYE PROTECTION which conforms to ANSI specifications and provides protection against flying particles both from the **FRONT** and **SIDE** should **ALWAYS** be worn by the operator and others in the work area when loading, operating or servicing this tool. Eye protection is required to guard against flying fasteners and debris, which could cause severe eye injury.

⚠WARNING:

The employer and/or user must ensure that proper eye protection is worn. Eye protection equipment must conform to the requirements of the American National Standards Institute, ANSI Z87.1-1989 (R1998) and provide both frontal and side protection. **NOTE:** Non-side shielded spectacles and face shields alone do not provide adequate protection.

TO PREVENT ACCIDENTAL INJURIES:

- Never place a hand or any other part of the body in nail discharge area of tool while the air supply is connected.
- Never point the tool at anyone else.
- Never engage in horseplay.
- Never pull the trigger unless nose is directed at the work.
- Always handle the tool with care.
- Do not pull the trigger or depress the trip mechanism while loading the tool.

1. Open the magazine:

Pull down door latch and swing door/magazine cover downward. Fig.A

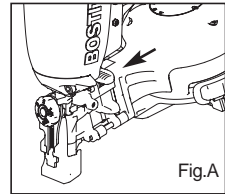


Fig.A

2. Check Adjustment:

The nailer must be set for the length of nail to be used. Nails will not feed smoothly if the magazine is not correctly adjusted. The magazine contains an adjustable nail platform on which the nail coil rests.

The nail platform can be moved up and down to two nail settings.

To change setting pull up on the post and twist to the correct step. Fig.B

1-1/2" - 1-3/4" (38-45mm) nails - use bottom step
3/4", 7/8", 1", 1-1/4" (19, 22, 25, 32mm) nails - use top step.

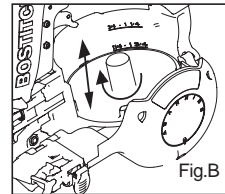


Fig.B

3. Load the coil of nails:

Place the coil of nails over the post in the magazine. Uncoil enough nails to reach the feed pawl. Place the first nail in front of the front tooth on the feed pawl, in the driver channel. The nail heads must be in the slot in the nose.

Fig.C

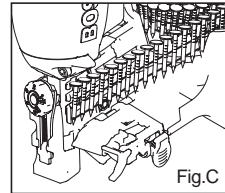


Fig.C

NOTE: Use only nails recommended by Bostitch for RN46 series nailers or nails which meet Bostitch specifications.

4. Close the Door/Magazine Cover:

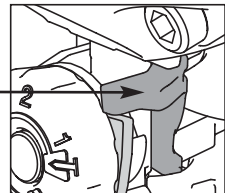
Swing the door/magazine cover closed. Check that the latch engages when released.

Lock-Out Mechanism

This tool is equipped with a Lock-Out mechanism.

The tool may not actuate when the Lock-Out is engaged, as shown

Lock-Out Arm



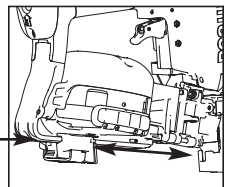
Shingle Gauge

⚠WARNING:

Disconnect the air supply before making adjustments.

This gauge can be used to control shingle spacing. To adjust, push the gauge lever and slide the gauge to desired shingle exposure, as shown.

Gauge Lever

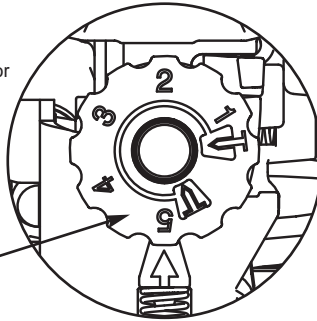


DIAL-A-DEPTH™ FASTENER CONTROL ADJUSTMENT

The DIAL-A-DEPTH™ Fastener control adjustment feature provides close control of the fastener drive depth: from flush with the work surface to shallow or deep countersink.

First set the air pressure for consistent drive in the specific work as described on page 4, then use the DIAL-A-DEPTH™ fastener control knob to give the desired depth of drive.

DEPTH ADJUSTMENT KNOB

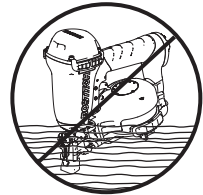


CLEANING THE ROOFING NAILER

WARNING: Do not use gasoline or similar highly flammable liquids to clean the nailer. Vapor could be ignited by a spark, causing an explosion.

Tar and dirt may build up on the nose and trip lever. This can prevent correct operation. Remove any buildup with kerosene, #2 fuel oil or diesel fuel. Do not dunk the nailer into these solvents beyond the height of the nail heads, to avoid getting the solvent into the drive cylinder. Dry off the nailer before use. Any oil film left after cleanup will accelerate the tar buildup, and the nailer will require more frequent re-cleaning.

NOTE: Solvents sprayed on the nose to clean and free up the trip may have the opposite effect! The solvent may soften the tar on the shingles and cause tar buildup to be accelerated. Dry operation is better, as noted above.



IN ADDITION TO THE OTHER WARNINGS CONTAINED IN THIS MANUAL OBSERVE THE FOLLOWING FOR SAFE OPERATION

- Use the BOSTITCH pneumatic tool only for the purpose for which it was designed.
- Never use this tool in a manner that could cause a fastener to be directed toward the user or others in the work area.
- Do not use the tool as a hammer.
- Always carry the tool by the handle. Never carry the tool by the air hose.
- Do not alter or modify this tool from the original design or function without approval from BOSTITCH.
- Always be aware that misuse and improper handling of this tool can cause injury to yourself and others.
- Never clamp or tape the trigger or contact trip in an actuated position.
- Never leave a tool unattended with the air hose attached.
- Do not operate this tool if it does not contain a legible WARNING LABEL.
- Do not continue to use a tool that leaks air or does not function properly. Notify your nearest Bostitch representative if your tool continues to experience functional problems.

TOOL OPERATION

⚠️WARNING:



EYE PROTECTION which conforms to ANSI specifications and provides protection against flying particles both from the **FRONT** and **SIDE** should **ALWAYS** be worn by the operator and others in the work area when loading, operating or servicing this tool. Eye protection is required to guard against flying fasteners and debris, which could cause severe eye injury.

The employer and/or user must ensure that proper eye protection is worn. Eye protection equipment must conform to the requirements of the American National Standards Institute, ANSI Z87.1-1989 (R1998) and provide both frontal and side protection. **NOTE:** Non-side shielded spectacles and face shields alone do not provide adequate protection.

BEFORE HANDLING OR OPERATING THIS TOOL:

- I. READ AND UNDERSTAND THE WARNINGS CONTAINED IN THIS MANUAL.**
- II. REFER TO “TOOL SPECIFICATIONS” IN THIS MANUAL TO IDENTIFY THE OPERATING SYSTEM ON YOUR TOOL.**

There are three available systems on BOSTITCH pneumatic tools. They are:

- 1. CONTACT TRIP OPERATION**
- 2. SEQUENTIAL TRIP OPERATION**
- 3. TRIGGER OPERATION**

OPERATION

1. CONTACT TRIP OPERATION:

The CONTACT TRIP MODEL tool contains a contact trip that operates in conjunction with the trigger to drive a fastener. There are two methods of operation to drive fasteners with a contact trip tool.

A. SINGLE FASTENER PLACEMENT: To operate the tool in this manner, first position the contact trip on the work surface, **WITHOUT PULLING THE TRIGGER**. Depress the contact trip until the nose touches the work surface and then pull the trigger to drive a fastener. Do not press the tool against the work with extra force. Instead, allow the tool to recoil off the work surface to avoid a second unwanted fastener. Remove your finger from the trigger after each operation.

B. RAPID FASTENER OPERATION: To operate the tool in this manner, hold the tool with the contact trip pointing towards but not touching the work surface. Pull the trigger and then tap the contact trip against the work surface using a bouncing motion. Each depression of the contact trip will cause a fastener to be driven.

⚠️WARNING:

The operator must not hold the trigger pulled on contact trip tools except during fastening operation, as serious injury could result if the trip accidentally contacted someone or something, causing the tool to cycle.

⚠️WARNING:

Keep hands and body away from the discharge area of the tool. A contact trip tool may bounce from the recoil of driving a fastener and an unwanted second fastener may be driven, possibly causing injury.

2. SEQUENTIAL TRIP OPERATION:

The SEQUENTIAL TRIP MODEL contains a contact trip that operates in conjunction with the trigger to drive a fastener. To operate a sequential trip tool, first position the contact trip on the work surface **WITHOUT PULLING THE TRIGGER**. Depress the contact trip and then pull the trigger to drive a fastener. As long as the contact trip is contacting the work and is held depressed, the tool will drive a fastener each time the trigger is depressed. If the contact trip is allowed to leave the work surface, the sequence described above must be repeated to drive another fastener.

3. TRIGGER OPERATION:

The TRIGGER OPERATED tool requires a single action to drive a fastener. Each time the trigger is pulled the tool will drive a fastener. This model does not have a contact trip and is intended for use only where a contact trip cannot be used to satisfy the requirements of the application.

TOOL OPERATION CHECK

CAUTION: Remove all fasteners from tool before performing tool operation check.

1. CONTACT TRIP OPERATION:

- A. With finger off the trigger, press the contact trip against the work surface.
THE TOOL MUST NOT CYCLE.
- B. Hold the tool off the work surface, and pull the trigger.
THE TOOL MUST NOT CYCLE.
- C. With the tool off the work surface, pull the trigger. Press the contact trip against the work surface.
THE TOOL MUST CYCLE.
- D. Without touching the trigger, press the contact trip against the work surface, then pull the trigger.
THE TOOL MUST CYCLE.

2. SEQUENTIAL TRIP OPERATION:

- A. Press the contact trip against the work surface, without touching the trigger.
THE TOOL MUST NOT CYCLE.
- B. Hold the tool off the work surface and pull the trigger.
THE TOOL MUST NOT CYCLE.
Release the trigger. The trigger must return to the trigger stop on the frame.
- C. Pull the trigger and press the contact trip against the work surface.
THE TOOL MUST NOT CYCLE.
- D. With finger off the trigger, press the contact trip against the work surface. Pull the trigger.
THE TOOL MUST CYCLE.

3. TRIGGER OPERATED TOOL:

- A. With finger off the trigger, hold the tool with a firm grip on the handle.
- B. Place the nose of the tool against the work surface.
- C. Pull the trigger to drive fastener. Release the trigger and cycle is complete.

CAUTION: THE TOOL WILL CYCLE EACH TIME THE TRIGGER INTERLOCK AND TRIGGER IS PULLED!

MAINTAINING THE PNEUMATIC TOOL

WARNING: When working on air tools, note the warnings in this manual and use extra care evaluating problem tools.

REPLACEMENT PARTS:

BOSTITCH replacement parts are recommended. Do not use modified parts or parts which will not give equivalent performance to the original equipment.

ASSEMBLY PROCEDURE FOR SEALS:

When repairing a tool, make sure the internal parts are clean and lubricated. Use MAGNALUBE or equivalent on all "O"-rings. Coat each "O"-ring with MAGNALUBE before assembling. Use a small amount of oil on all moving surfaces and pivots. After reassembly add a few drops of Bostitch air tool lubricant through the air line fitting before testing.

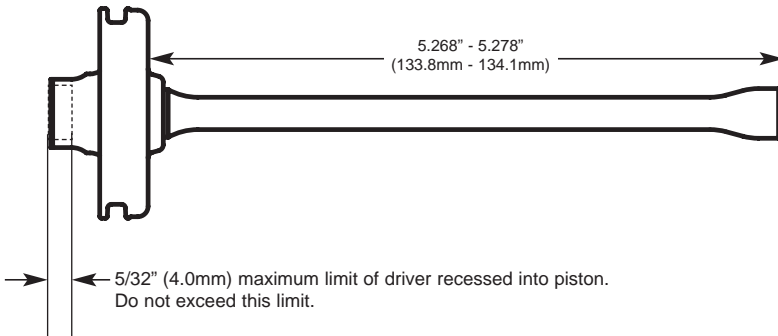
AIR SUPPLY-PRESSURE AND VOLUME:

Air volume is as important as air pressure. The air volume supplied to the tool may be inadequate because of undersize fittings and hoses, or from the effects of dirt and water in the system. Restricted air flow will prevent the tool from receiving an adequate volume of air, even though the pressure reading is high. The results will be slow operation, misfeeds or reduced driving power. Before evaluating tool problems for these symptoms, trace the air supply from the tool to the supply source for restrictive connectors, swivel fittings, low points containing water and anything else that would prevent full volume flow of air to the tool.

RN46 DRIVER MAINTENANCE INSTRUCTIONS

Worn driver causing poor quality or loss of power:

- Wear on the driving tip will affect the nail drive, giving symptoms of bent and incompletely driven nails, and damaged nail heads.
- The driver length may be adjusted to allow the driving tip to be redressed to compensate for wear. Heat and precise measurement are required. Contact a qualified service technician for this adjustment.
- The length setting for a new driver is shown below. Measurement is from the bottom face of the main piston.
- Note that the measurement from the top of the piston gives the maximum amount the driver may be adjusted to allow redressing. Always extend the driver the minimum required to allow redressing to restore the driving end; several redressings will be possible before this maximum depth is reached.



TROUBLE SHOOTING

PROBLEM	CAUSE	CORRECTION
Trigger valve housing leaks air	O-ring cut or cracked	Replace O-ring
Trigger valve stem leaks air	O-ring/seals cut or cracked	Replace trigger valve assembly
Frame/nose leaks air	Loose nose screws	Tighten and recheck
	O-ring or Gasket is cut or cracked	Replace O-ring or gasket
	Bumper cracked/worn	Replace bumper
Frame/cap leaks air	Damaged gasket or seal	Replace gasket or seal
	Cracked/worn head valve bumper	Replace bumper
	Loose cap screws	Tighten and recheck
Failure to cycle	Air supply restriction	Check air supply equipment
	Tool dry, lack of lubrication	Use BOSTITCH Air Tool Lubricant
	Worn head valve O-rings	Replace O-rings
	Broken cylinder cap spring	Replace cylinder cap spring
	Head valve stuck in cap	Disassemble/Check/Lubricate
Lack of power; slow to cycle	Tool dry, lacks lubrication	Use BOSTITCH Air Tool Lubricant
	Broken cylinder cap spring	Replace cap spring
	O-rings/seals cut or cracked	Replace O-rings/seals
	Exhaust blocked	Check bumper, head valve spring, muffler
	Trigger assembly worn/leaks	Replace trigger assembly
	Dirt/tar build up on driver	Disassemble nose/driver to clean
	Cylinder sleeve not seated correctly on bottom bumper	Disassemble to correct
	Head valve dry	Disassemble/lubricate
	Air pressure too low	Check air supply equipment
Skipping fasteners; intermittent feed	Worn bumper	Replace bumper
	Tar/dirt in driver channel	Disassemble and clean nose and driver
	Air restriction/inadequate air flow through quick disconnect socket and plug	Replace quick disconnect fittings
	Worn piston O-ring	Replace O-ring, check driver
	Tool dry, lacks lubrication	Use BOSTITCH Air Tool Lubricant
	Low air pressure	Check air supply system to tool
	Loose magazine nose screws	Tighten all screws
	Fasteners too short for tool	Use only recommended fasteners
	Bent fasteners	Discontinue using these fasteners
	Wrong size fasteners	Use only recommended fasteners
	Leaking head cap gasket	Tighten screws/replace gasket
	Trigger valve O-ring cut/worn	Replace O-ring
	Broken/chipped driver	Replace driver (check piston O-ring)
	Dry/dirty magazine	Clean/lubricate use BOSTITCH Air Tool Lubricant
Fasteners jam in tool	Worn magazine	Replace magazine
	Driver channel worn	Replace nose/check door
	Wrong size fasteners	Use only recommended fasteners
	Bent fasteners	Discontinue using these fasteners
	Loose magazine/nose screws	Tighten all screws
	Broken/chipped driver	Replace driver

COIL NAILERS

Skipping fasteners; intermittent feed	Feed piston dry	Add BOSTITCH Air Tool Lubricant in hole in feed piston cover
	Feed piston O-rings cracked/worn	Replace O-rings/check bumper and spring. Lubricate assembly.
	Check Pawl binding	Inspect Pawl and spring on door. Must work freely.
	Canister post not set correctly	Set canister post for length of nails being used
	Broken weld wires in nail coil	Remove coil of nails and use another coil
Fasteners jam in tool/canister	Wrong size fasteners for tool	Use only recommended fasteners/check canister bottom adjustment
	Broken welded wires in nail coil	Remove coil of nails and use another coil

INTRODUCCIÓN

La Bostitch RN46 es una herramienta clavadora construida a precisión, diseñada para funcionar a alta velocidad y con alto volumen. Estas herramientas entregan un servicio eficiente y fiable cuando se usan correctamente y con cuidado. Al igual que con toda herramienta de calidad, deben seguirse las instrucciones del fabricante para obtener el óptimo rendimiento. Estudie este manual antes de operar la herramienta y entender las advertencias y precauciones de seguridad. Deben leerse en detalle las instrucciones sobre la instalación, operación y mantenimiento, y debe conservarse el manual para referencia. NOTA: Pueden necesitarse medidas adicionales de seguridad según la aplicación particular de la herramienta. Si tiene preguntas sobre la herramienta y su uso llame al Servicio a Clientes de Bostitch al 1-800-556-6696 o escriba a: Bostitch Customer Service, Briggs Drive, East Greenwich, RI 02818. Puede consultar también la página web www.bostitch.com

ÍNDICE

Instrucciones de seguridad	13
Especificaciones de la herramienta	14
Funcionamiento	14
Suministro de aire y conexiones	15
Lubricación	15
Carga de la herramienta	16
Selección de la profundidad	17
Funcionamiento de la herramienta	18
Mantenimiento de la herramienta neumática	19
Mantenimiento del impulsor	20
Solución de problemas	21

NOTA:

Las herramientas de Bostitch han sido fabricadas para proporcionar una excelente satisfacción al cliente y están diseñadas para lograr el máximo rendimiento al ser utilizadas con sujetadores de precisión de Bostitch que han sido fabricados a las mismas normas exactas. **Bostitch no puede asumir responsabilidad por el rendimiento de un producto si se utilizan nuestras herramientas con sujetadores o accesorios que no cumplen con los requisitos específicos establecidos para clavos, grapas y accesorios auténticos de Bostitch.**



GARANTÍA LIMITADA — Sólo EE.UU. y Canadá

A partir del 1 de diciembre de 2005 Bostitch, L.P. garantiza al comprador del comerciante original que el producto comprado está exento de defectos en material y fabricación, y se compromete a reparar o reemplazar, a opción de Bostitch, cualquier engrapadora o clavadora neumática defectuosa de marca Bostitch por un período de siete (7) años desde la fecha de compra (un (1) año de la fecha de compra en el caso de compresores y herramientas utilizadas en aplicaciones de producción). La garantía no es transferible. Se requiere presentar evidencia de la fecha de compra. Esta garantía solamente cubre daños resultantes de defectos en material o fabricación, y no cubre condiciones o desperfectos resultantes del desgaste normal, negligencia, abuso, accidente o reparaciones intentadas o efectuadas por terceros ajenos a nuestro centro nacional de reparaciones o a los centros de servicio bajo garantía. Las aspas del impulsor, topes, juntas tóricas, pistones y aros de pistones se consideran componentes de desgaste normal. Para obtener el rendimiento óptimo de la herramienta Bostitch siempre use fijaciones y piezas de repuesto genuinas de Bostitch.

ESTA GARANTÍA SUSTITUYE TODA OTRA GARANTÍA, EXPRESA O IMPLÍCITA, INCLUIDAS ENTRE OTRAS, LAS GARANTÍAS IMPLÍCITAS DE COMERCIABILIDAD O IDONEIDAD PARA UN FIN PARTICULAR. BOSTITCH NO SERÁ RESPONSABLE DE DAÑOS FORTUITOS O CONSECUENCIALES.

Algunos estados y países no permiten limitaciones a la duración de una garantía implícita ni la exclusión o limitación de daños fortuitos o consecuenciales, de modo que las limitaciones o exclusiones anteriores pueden no corresponder a su caso. Esta garantía le concede derechos legales específicos, y usted puede tener también otros derechos que varían de un estado a otro y de un país a otro.

Para obtener servicio bajo garantía en los EE.UU. devuelva el producto, junto con el comprobante de compra, al Centro de Servicio bajo Garantía Autorizado Independiente Nacional o Regional de Bostitch en los EE.UU. Dentro de los EE.UU. usted puede llamarnos al 1-800-556-6696 o visitar www.BOSTITCH.com para ver la ubicación que más le convenga. En Canadá llámenos al 800-567-7705 o visite www.BOSTITCH.com.

INSTRUCCIONES DE SEGURIDAD

⚠ ADVERTENCIA:

Cuando el equipo está conectado al suministro de aire, tanto el operador como todas las personas que se encuentren en el área de trabajo, SIEMPRE deben usar PROTECCIÓN OCULAR que cumpla las especificaciones ANSI para resguardo contra partículas volantes arrojadas desde el FRENTE o los LATERALES. Dicha protección ocular se requiere para proteger contra residuos y remaches volantes, que podrían causar graves lesiones en los ojos.



El empleador y/o usuario debe asegurar que la debida protección para los ojos sea usada. El equipo protector de los ojos debe cumplir con los requisitos del Instituto de Normas Nacionales Americano (American National Standards Institute), ANSI Z87.1 y debe proveer protección de frente y de los lados. NOTA: Las gafas de seguridad que no están protegidas de los lados y las máscaras por sí solas no proveen la debida protección.



PRECAUCIÓN: En algunos entornos será necesaria protección de seguridad adicional. Por ejemplo, es posible que el área de trabajo incluya la exposición a niveles de ruido que pueden dañar el oído. El empleador y el usuario deben asegurarse de que cualquier protección necesaria para los oídos sea provista y utilizada por el operador y demás personas en el área de trabajo. Algunos entornos requieren el uso de aparatos de protección para la cabeza. Cuando sea necesario, el empleador y el usuario deben asegurarse de que se utilice protección para la cabeza en conformidad con la norma ANSI Z89.1.

SUMINISTRO DE AIRE Y CONEXIONES

⚠ ADVERTENCIA:

No utilice oxígeno ni gases combustibles o embotellados como fuente de suministro para esta herramienta, ya que la herramienta puede estallar, posiblemente causando lesiones.

⚠ ADVERTENCIA:

No utilice fuentes de suministro que potencialmente excedan las 14 Kg/cm² (13,8 bars) ya que la herramienta puede estallar, posiblemente causando lesiones.

⚠ ADVERTENCIA:

El conector de la herramienta no debe tener presión al desconectarse el suministro de aire. Si se utiliza una conexión equivocada, la herramienta puede permanecer cargada con aire después de ser desconectada y por lo tanto podrá impulsar un sujetador aún después de que la línea de aire sea desconectada, posiblemente causando lesiones.

⚠ ADVERTENCIA:

No hale el gatillo ni oprima el brazo de contacto mientras la herramienta esté conectada al suministro de aire ya que la herramienta puede ciclarse, posiblemente causando lesiones.

⚠ ADVERTENCIA:

Siempre desconecte el suministro de aire: 1.) Antes de efectuar ajustes; 2.) Al hacerle servicio a la herramienta; 3.) Al despejar un atascamiento; 4.) Cuando la herramienta no esté en uso; 5.) Al mudarse de un área distinta de trabajo, ya que se puede activar accidentalmente, posiblemente causando lesiones.

AL CARGAR LA HERRAMIENTA

⚠ ADVERTENCIA:

Al cargar la herramienta: 1.) Nunca coloque una mano o cualquier otra parte del cuerpo en el área de descarga del sujetador de la herramienta; 2.) Nunca apunte la herramienta hacia otra persona; 3.) No hale el gatillo ni oprima el disparador ya que se puede activar accidentalmente, posiblemente causando lesiones.

OPERACIÓN

⚠ ADVERTENCIA:

Siempre maneje la herramienta con cuidado. 1.) Nunca participe en juegos rudos con la herramienta; 2.) Nunca hale el gatillo al menos que la nariz esté apuntada hacia el trabajo; 3.) Mantenga a las demás personas a una distancia segura de la herramienta mientras la herramienta esté en operación ya que se puede activar accidentalmente, causando posibles lesiones.

⚠ ADVERTENCIA:

No mantenga el gatillo halado en las herramientas del brazo de contacto, salvo durante la operación de engrapado, ya que pueden resultar serias lesiones si el disparador accidentalmente se pusiera en contacto con alguien o con algo, causando que se cycle la herramienta.

⚠ ADVERTENCIA:

Mantenga las manos y el cuerpo alejados del área de descarga de la herramienta. Una herramienta con brazo de contacto puede rebotar debido a la reculada al impulsar un sujetador y se puede impulsar accidentalmente un segundo sujetador, causando posibles lesiones.

⚠ ADVERTENCIA:

Verifique la operación del mecanismo del brazo de contacto frecuentemente. No utilice la herramienta si el brazo no está funcionando correctamente ya que se puede impulsar accidentalmente otro sujetador. No interfiera con la debida operación del mecanismo del brazo de contacto.

⚠ ADVERTENCIA:

No meta los sujetadores encima de otros sujetadores o teniendo la herramienta demasiado inclinada ya que esto podría causar que los sujetadores se desvíen, y a su vez causarían lesiones.

⚠ ADVERTENCIA:

No meta los sujetadores cerca del borde de la pieza de trabajo porque la madera podría separarse, lo que permitiría que el sujetador se desviara y causara lesiones.

⚠ ADVERTENCIA:

Esta clavadora produce CHIPSPAS durante la operación. NUNCA use la clavadora cerca de sustancias, gases ni vapores inflamables, incluidos diluyentes, lacas, pintura, bencina, gasolina, adhesivos, mástique, pegamentos ni ningún otro material que sea inflamable, combustible o explosivo – o vapores, emanaciones o subproductos que puedan serlo. Si se usa la clavadora en cualquier ambiente de este tipo podría causar una EXPLOSION produciendo lesiones físicas o fatales para el usuario y las personas en la cercanía.

MANTENIMIENTO DE LA HERRAMIENTA

⚠ ADVERTENCIA:

Tome nota de las advertencias en este manual al trabajar con herramientas neumáticas y tenga mayor cuidado al evaluar herramientas problemáticas.

ESPECIFICACIONES DE LA HERRAMIENTA

Todos los tornillos y tuercas son métricos

MODELO	HERRAMIENTA ACCIONAMIENTO	LARGO	ALTURA	ANCHO	PESO
RN46-1	Disparo de contacto	10-1/2" (266.7 mm)	10-5/8" (269.9 mm)	4-5/8" (117.5 mm)	4.8 lb (2.2 kg)
RN46-2	Disparo secuencial	10-1/2" (266.7 mm)	10-5/8" (269.9 mm)	4-5/8" (117.5 mm)	4.8 lb (2.2 kg)

ESPECIFICACIONES DE CLAVOS:

Esta herramienta usa rollos de clavos para techar de longitudes 3/4" to 1-3/4" (19 — 45 mm) con diámetro de espiga de 0.120" (3 mm).

CONECTOR DE AIRE DE LA HERRAMIENTA:

Esta herramienta usa un enchufe conector de flujo libre, 1/4 N.P.T. El diámetro interior debe ser de 0.200" (5 mm) o mayor. El conector debe ser capaz de descargar la presión de aire de la herramienta al desconectarse del suministro de aire.

PRESIÓN OPERATIVA:

70 a 120 p.s.i.g. (4.8 a 8.3 barios). Seleccione la presión operativa dentro de esta gama para lograr el óptimo rendimiento.

NO SUPERE LA PRESIÓN OPERATIVA RECOMENDADA.

CONSUMO DE AIRE:

La RN46 necesita 3.9 pies cúbicos por minuto (0.11 metros cúbicos) de aire libre para funcionar a razón de 100 clavos por minuto, a 80 p.s.i. (5.6 kg/cm²). Tome la velocidad real con la cual operará la herramienta para determinar la cantidad de aire necesaria. Por ejemplo, si el uso de clavos promedia 50 por minuto, necesita el 50% de los pies cúbicos por minuto de la herramienta para funcionar a razón de 100 clavos por minuto.

FUNCIONAMIENTO

BOSTITCH ofrece dos tipos de operación para herramientas de esta serie.

DISPARO DE CONTACTO

El procedimiento operativo común en las herramientas con "Disparo de contacto" es que el operador tome contacto con el trabajo para activar el mecanismo de disparo manteniendo el gatillo accionado, aplicando así cada clavo cuando se toma contacto con la superficie. Esto permitirá colocar clavos rápidamente en muchas aplicaciones industriales.

Todas las herramientas neumáticas pueden rebotar al aplicar clavos o grapas. La herramienta puede rebotar, liberando el disparo, y si se le permite involuntariamente tomar contacto con la superficie nuevamente con el gatillo todavía accionado (estando el dedo todavía sujetando el gatillo) saldrá otro clavo o grapa.

DISPARO SECUENCIAL

El disparo secuencial exige que el operador sostenga la herramienta contra la superficie de trabajo antes de accionar el gatillo. Esto facilita la colocación de clavos o grapas en forma precisa, por ejemplo en aplicaciones de acabado.

El disparo secuencial permite la ubicación exacta de clavos sin posibilidad de aplicar otro al rebotar, como se describe en "Disparo de contacto".

La herramienta de disparo secuencia tiene una ventaja positiva de seguridad porque no aplica accidentalmente un clavo si la herramienta toma contacto con la superficie de trabajo – o con otra cosa – mientras el operador mantiene el gatillo accionado.

IDENTIFICACIÓN DEL MODELO:

Consulte las Instrucciones de operación en la página 8 antes de proceder a usar esta herramienta.

DISPARO DE CONTACTO

Identificado por:

GATILLO NEGRO



DISPARO SECUENCIAL

Identificado por:

GATILLO GRIS



SUMINISTRO DE AIRE Y CONEXIONES

No use oxígeno, gases combustibles ni gases envasados en cilindros para operar esta herramienta porque puede explotar, causando posibles lesiones.

CONECTORES:

Instale un enchufe macho en la herramienta con flujo libre y que liberará presión de aire de la herramienta al desconectarse de la fuente de suministro.

MANGUERAS:

Las mangueras de aire deben tener una presión nominal de trabajo mínima de 150 p.s.i. (10.6 kg/cm²) o un 150 por ciento de la presión máxima que podría producirse en el sistema de aire. La manguera de suministro debe contar con un conector de "desconexión rápida" del enchufe macho de la herramienta.

FUENTE DE SUMINISTRO:

Use solamente aire comprimido regulado limpio como fuente de energía para esta herramienta. **NUNCA USE OXÍGENO, GASES COMBUSTIBLES O GASES ENVASADOS EN CILINDROS COMO FUENTE DE ENERGÍA PARA ESTA HERRAMIENTA, PUES LA HERRAMIENTA PUEDE EXPLOTAR.**

REGULADOR:

Se necesita un regulador de presión con una presión operativa de 0 - 125 p.s.i. (0 - 8.79 KG/CM²) para controlar la presión operativa con el fin de que la herramienta funcione en forma segura. No conecte esta herramienta a la presión de aire que potencialmente pueda superar 200 p.s.i. (14 KG/CM²) pues la herramienta puede fracturarse o explotar, causando posibles lesiones.

PRESIÓN OPERATIVA:

No supere la presión operativa máxima recomendada porque aumentará considerablemente el desgaste de la herramienta. El suministro de aire debe ser capaz de mantener la presión operativa de la herramienta. Las caídas de presión en el suministro de aire pueden reducir la energía impulsora de la herramienta. Consulte las "ESPECIFICACIONES DE LA HERRAMIENTA" para establecer la presión operativa correcta de la herramienta.

FILTRO:

La suciedad y el agua en el suministro de aire son las causas principales de desgaste en las herramientas neumáticas. Resultará útil un filtro para obtener el mejor rendimiento y minimizar el desgaste de la herramienta. El filtro debe tener una capacidad de flujo adecuada para la instalación específica. El filtro debe mantenerse limpio para ser eficaz en el suministro de aire comprimido limpio a la herramienta. Consulte las instrucciones del fabricante para ver el mantenimiento adecuado del filtro. Si el filtro está sucio y obstruido ocasionará una caída de presión que a su vez reduce el rendimiento de la herramienta.

LUBRICACIÓN

Se necesita una lubricación frecuente, pero no excesiva, para obtener el óptimo rendimiento. El aceite colocado a través de la conexión de la línea de aire lubricará las piezas internas. Use el Lubricante para herramientas neumáticas BOSTITCH, Renolin HPL 46 u otro equivalente. No use aceite ni aditivos detergentes porque estos lubricantes causarán un desgaste acelerado a los sellos y topes de la herramienta, ocasionando un rendimiento deficiente y mantenimiento frecuente de la herramienta.

Si no se usa un lubricante de línea de aire, coloque aceite durante el uso en la graseira de aire de la herramienta una o dos veces al día. Sólo se necesitan unas pocas gotas de aceite cada vez. El exceso de aceite se acumulará dentro de la herramienta y se notará en el ciclo de escape.

FUNCIONAMIENTO EN CLIMA FRÍO:

Para el funcionamiento en clima frío, cerca o bajo cero grados centígrados, la humedad de la línea de aire puede congelarse e impedir el funcionamiento de la herramienta. Recomendamos el uso del lubricante invernal para herramientas neumáticas BOSTITCH WINTER FORMULA o anticongelante permanente (etilenglicol) como lubricante en clima frío.

PRECAUCIÓN: No guarde herramientas en un ambiente de clima frío para evitar la formación de escarcha o hielo en las válvulas y mecanismos de funcionamiento de las herramientas que pudieran ocasionarles fallas.

NOTA: Algunos líquidos comerciales secantes de línea de aire son dañinos para las juntas tóricas y sellos – no use estos secadores de aire de baja temperatura sin revisar la compatibilidad.

CARGA DE LA RN46

ADVERTENCIA:



Al cargar, operar o dar servicio a esta herramienta, el operador y los demás presentes en el área de trabajo deben usar **SIEMPRE PROTECCIÓN DE LOS OJOS** en conformidad con las especificaciones ANSI y que proteja contra partículas que vuelen por **DELANTE** y por el **LADO**. Se exige protegerse la vista para resguardarse contra clavos o residuos que vuelen, lo cual puede causar lesiones graves a los ojos.

ADVERTENCIA:

El empleador y/o el usuario deben asegurar que se protejan debidamente los ojos. El equipo de protección ocular debe estar en conformidad con los requisitos del Instituto Nacional Americano de Normas (American National Standards Institute), ANSI Z87.1-1989 (R1998) y proteger por delante y por el costado. **NOTA:** Las gafas o caretas sin protección lateral por sí solas no dan una protección adecuada.

PARA PREVENIR LESIONES ACCIDENTALES:

- Nunca coloque la mano ni ninguna parte del cuerpo en el área de descarga de clavos de la herramienta mientras esté conectado el suministro de aire.
- Nunca apunte la herramienta a una persona.
- Nunca participe en juegos rudos.
- Nunca accione el gatillo a menos que la punta esté dirigida hacia el trabajo.
- Siempre maneje la herramienta con cuidado.
- No accione el gatillo ni oprima el mecanismo de disparo mientras carga la herramienta.

1. Abra el depósito:

Mueva hacia abajo el pestillo de la puerta y abra la puerta/cubierta del depósito hacia abajo. Fig.A

2. Revise el ajuste:

La clavadora debe estar fijada para la longitud de clavo a usar. Los clavos no se alimentan regularmente si el depósito no está ajustado correctamente. El depósito contiene una plataforma de clavos ajustable sobre la cual descansa el rollo de clavos. La plataforma de clavos puede moverse hacia arriba y hacia abajo para tener dos selecciones de clavos.

Para cambiar la selección tire del poste hacia arriba y gírelo al paso correcto.

Fig.B

clavos de 38-45 mm (1-1/2" - 1-3/4" pulg.) - use el paso inferior

clavos de 19, 22, 25, 32 mm (3/4", 7/8", 1", 1-1/4" pulg.) - use el paso superior.

3. Cargue el rollo de clavos:

Coloque el rollo de clavos sobre el poste en el depósito. Desenrolle suficientes clavos para alcanzar el trinquete alimentador. Ponga el primer clavo frente al diente delantero del trinquete alimentador, en el canal del impulsor. Las cabezas de los clavos deben estar en la ranura de la punta.

Fig.C

NOTA: Use solamente los clavos que recomienda Bostitch para la serie RN46 de clavadoras o clavos que cumplen con las especificaciones de Bostitch.

4. Cierre la puerta/cubierta del depósito:

Asegure la puerta/cubierta del depósito. Revise que enganche el pestillo al soltar.

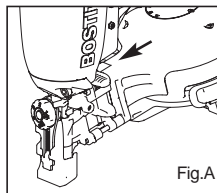


Fig.A

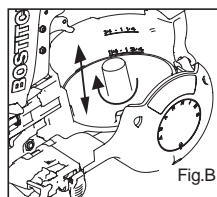


Fig.B

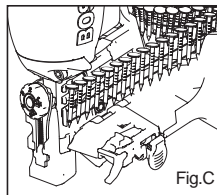


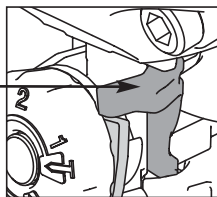
Fig.C

Mecanismo de bloqueo

Esta herramienta está equipada con un mecanismo de bloqueo.

La herramienta no puede activarse cuando esté bloqueada, como se muestra

Brazo de bloqueo



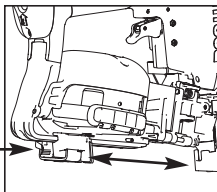
Medidor de tejas

ADVERTENCIA:

Desconecte el suministro de aire antes de hacer ajustes.

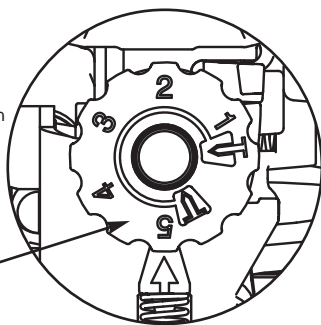
Se puede usar este medidor para controlar la separación de las tejas. Para ajustarlo, empuje la palanca del medidor y deslice el medidor al punto deseado de exposición de la teja, como se muestra.

Palanca del medidor



AJUSTE DE CONTROL PARA CLAVAR O ENGRAPAR DIAL-A-DEPTH™

La característica de control para clavar o engrapar DIAL-A-DEPTH™ aporta un control más exacto de la profundidad de impulso: desde al ras con la superficie de trabajo hasta avellanado leve o profundo. Primero establezca la presión de aire para la aplicación uniforme según el trabajo específico como se describe en la página 4, luego use la perilla de control para clavar o engrapar DIAL-A-DEPTH™ para dar la profundidad deseada a la aplicación.



PERILLA DE AJUSTE DE LA PROFUNDIDAD

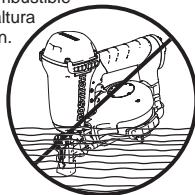
LIMPIEZA DE LA CLAVADORA PARA TECHADO



ADVERTENCIA: No use gasolina ni líquidos similares altamente inflamables para limpiar la clavadora. El vapor podría inflamarse con una chispa, causando una explosión.

Puede acumularse alquitrán y suciedad en la punta y en la palanca de disparo. Esto puede impedir el funcionamiento correcto. Retire toda acumulación con keroseno, aceite combustible #2 o combustible diesel. No sumerja la clavadora en estos solventes más allá de la altura de las cabezas de los clavos, para evitar que entre el solvente al cilindro de impulsión. Seque la clavadora antes de usarla. Toda película de aceite restante después de la limpieza acelerará la acumulación de alquitrán, y la clavadora necesitará limpiezas más frecuentes.

NOTA: ¡Los solventes rociados en la punta para limpiarla y liberar el disparo pueden tener el efecto contrario! El solvente puede soltar el alquitrán en las tejas y causar mayor acumulación de alquitrán. Es mejor el funcionamiento en seco, como se indica más arriba.



ADEMÁS DE LAS OTRAS ADVERTENCIAS CONTENIDAS EN ESTE MANUAL OBSERVE LO SIGUIENTE PARA LA OPERACIÓN SEGURA

- Use la herramienta neumática BOSTITCH solamente para el fin que fue diseñada.
- Nunca use esta herramienta en forma que pueda causar la salida de un clavo o grapa hacia el usuario u otros presentes en el área de trabajo.
- No use la herramienta como martillo.
- Siempre lleve la herramienta tomándola por la empuñadura. Nunca lleve la herramienta tomándola por la manguera de aire.
- No altere ni modifique esta herramienta del diseño o función original sin la aprobación de BOSTITCH.
- Siempre tenga presente que el uso indebido o la manipulación incorrecta de esta herramienta puede causar lesiones a usted y a los demás.
- Nunca use abrazaderas ni cinta para bloquear el gatillo o el disparo de contacto en la posición activada.
- Nunca deje una herramienta sin supervisión con la manguera de aire conectada.
- No opere esta herramienta si no cuenta con una ETIQUETA DE ADVERTENCIA legible.
- Deje de usar la herramienta si tiene fugas de aire o no funciona bien. Notifique a su representante de Bostitch más cercano si la herramienta continúa experimentando problemas funcionales.

FUNCIONAMIENTO DE LA HERRAMIENTA

⚠ ADVERTENCIA:



Al cargar, operar o dar servicio a esta herramienta, el operador y los demás presentes en el área de trabajo deben usar **SIEMPRE PROTECCIÓN DE LOS OJOS** en conformidad con las especificaciones ANSI y que proteja contra partículas que vuelen por **DELANTE** y por el **LADO**. Se exige protegerse la vista para resguardarse contra clavos o residuos que vuelen, lo cual puede causar lesiones graves a los ojos.

El empleador y/o el usuario deben asegurar que se protejan debidamente los ojos. El equipo de protección ocular debe estar en conformidad con los requisitos del Instituto Nacional Americano de Normas (American National Standards Institute), ANSI Z87.1-1989 (R1998) y proteger por delante y por el costado. **NOTA:** Los anteojos o máscaras sin protección lateral por sí solos no dan una protección adecuada.

ANTES DE MANIPULAR U OPERAR ESTA HERRAMIENTA:

- I. LEA DETALLADAMENTE LAS ADVERTENCIAS CONTENIDAS EN ESTE MANUAL.**
- II. CONSULTE LAS “ESPECIFICACIONES DE LA HERRAMIENTA” EN ESTE MANUAL PARA IDENTIFICAR EL SISTEMA OPERATIVO DE LA HERRAMIENTA.**

Hay tres sistemas disponibles en las herramientas neumáticas BOSTITCH. Estos son:

1. OPERACIÓN DEL DISPARO DE CONTACTO
2. OPERACIÓN DEL DISPARO SECUENCIAL
3. OPERACIÓN DEL GATILLO

FUNCIONAMIENTO

1. FUNCIONAMIENTO DEL DISPARO DE CONTACTO:

El modelo con DISPARO DE CONTACTO contiene un disparo de contacto que funciona en conjunto con el gatillo para impulsar un clavo o grapa. Hay dos métodos para clavar o engrapar con una herramienta con disparo de contacto.

A. COLOCACIÓN DE UN SOLO CLAVO O GRAPA: Para usar la herramienta de esta manera, primero ponga el disparo de contacto sobre la superficie de trabajo, **SIN ACCIONAR EL GATILLO**.

Oprima el disparo de contacto hasta que la punta toque la superficie de trabajo y luego accione el gatillo para impulsar el clavo o grapa. No presione la herramienta contra el trabajo con más fuerza. En cambio deje que la herramienta se separe de la superficie para evitar que salga otro clavo o grapa. Quite el dedo del gatillo después de cada operación.

B. CLAVADO O ENGRAPADO RÁPIDO: Para usar la herramienta de esta manera, sosténgala con el disparo de contacto apuntando hacia la superficie de trabajo pero sin tocarla. Accione el gatillo y luego golpee el disparo de contacto contra la superficie de trabajo usando un movimiento de rebote. Cada vez que se presione el disparo de contacto saldrá un clavo o grapa.

⚠ ADVERTENCIA:

El operador no debe sostener el gatillo accionado en las herramientas con disparo de contacto salvo durante la aplicación de clavos ya que pueden ocurrir lesiones graves si el disparo tomara contacto accidentalmente con algo o alguien, ocasionando que la herramienta haga un ciclo.

⚠ ADVERTENCIA:

Mantenga las manos y el cuerpo alejados del área de descarga de la herramienta. Una herramienta con disparo de contacto puede rebotar al aplicar un clavo o grapa haciendo salir otro, causando posibles lesiones.

2. FUNCIONAMIENTO DEL DISPARO SECUENCIAL:

El MODELO CON DISPARO SECUENCIAL cuenta con un disparo de contacto que funciona en conjunto con el gatillo para clavar o engrapar. Para usar una herramienta con disparo secuencial, primero coloque el disparo de contacto sobre la superficie de trabajo **SIN ACCIONAR EL GATILLO**. Oprima el disparo de contacto y luego accione el gatillo para aplicar un clavo o grapa. Siempre y cuando el disparo de contacto toque el trabajo y se mantenga oprimido, la herramienta aplicará un clavo o grapa cada vez que se oprima el gatillo. Si se deja que el disparo de contacto se separe de la superficie de trabajo, debe repetirse la secuencia descrita más arriba para colocar otro clavo o grapa.

3. FUNCIONAMIENTO CON GATILLO:

La herramienta **CON GATILLO** requiere una sola acción para instalar un clavo o grapa. Cada vez que se acciona el gatillo, la herramienta impulsa un clavo o grapa. Este modelo no tiene disparo de contacto y está destinado a usarse solamente donde no pueda utilizarse el disparo de contacto para las necesidades de la aplicación.

REVISIÓN FUNCIONAL DE LA HERRAMIENTA

PRECAUCIÓN: Retire todos los clavos o grapas de la herramienta antes de revisar cómo funciona.

1. FUNCIONAMIENTO DEL DISPARO DE CONTACTO:

- Con el dedo lejos del gatillo, presione el disparo de contacto contra la superficie de trabajo.
NO DEBE HACER UN CICLO LA HERRAMIENTA.
- Sostenga la herramienta sin tocar la superficie de trabajo y tire del gatillo.
NO DEBE HACER UN CICLO LA HERRAMIENTA.
- Con la herramienta sin tocar la superficie de trabajo, tire del gatillo. Presione el disparo de contacto contra la superficie de trabajo.
DEBE HACER UN CICLO LA HERRAMIENTA.
- Sin tocar el gatillo, presione el disparo de contacto contra la superficie de trabajo, luego tire del gatillo.
DEBE HACER UN CICLO LA HERRAMIENTA.

2. FUNCIONAMIENTO DEL DISPARO SECUENCIAL:

- Presione el disparo de contacto contra la superficie de trabajo, sin tocar el gatillo.
NO DEBE HACER UN CICLO LA HERRAMIENTA.
- Sostenga la herramienta sin tocar la superficie de trabajo y tire del gatillo.
NO DEBE HACER UN CICLO LA HERRAMIENTA.
Libere el gatillo. El gatillo debe regresar al tope del gatillo del armazón.
- Accione el gatillo y presione el disparo de contacto contra la superficie de trabajo.
NO DEBE HACER UN CICLO LA HERRAMIENTA.
- Con el dedo lejos del gatillo, presione el disparo de contacto contra la superficie de trabajo. Accione el gatillo.
DEBE HACER UN CICLO LA HERRAMIENTA.

3. HERRAMIENTA CON GATILLO:

- Con el dedo alejado del gatillo, sostenga la herramienta con un agarre firme de la empuñadura.
- Ponga la punta de la herramienta contra la superficie de trabajo.
- Accione el gatillo para aplicar el clavo o grapa. Libere el gatillo y se termina el ciclo.

PRECAUCIÓN: ¡LA HERRAMIENTA HARÁ UN CICLO CADA VEZ QUE SE ACCIONEN EL ENCLAVAMIENTO Y EL GATILLO!

MANTENIMIENTO DE LA HERRAMIENTA NEUMÁTICA

ADVERTENCIA: Al trabajar con herramientas neumáticas, observe las advertencias de este manual y tenga sumo cuidado al evaluar problemas.

PIEZAS DE REPUESTO:

Se recomienda usar repuestos BOSTITCH. No use piezas modificadas o que no tengan un rendimiento equivalente al equipo original.

PROCEDIMIENTO DE ENSAMBLAJE PARA LOS SELLOS:

Al reparar una herramienta, fíjese que las piezas internas estén limpias y lubricadas. Use MAGNALUBE o un lubricante equivalente en todas las juntas tóricas. Cubra cada junta tórica con MAGNALUBE antes del ensamblaje. Use un poco de aceite en todas las superficies y pivotes móviles. Después del reensamblaje añada unas pocas gotas de lubricante para herramientas neumáticas Bostitch (Air Tool Lubricant) a través de la grasería de la línea de aire antes de probar.

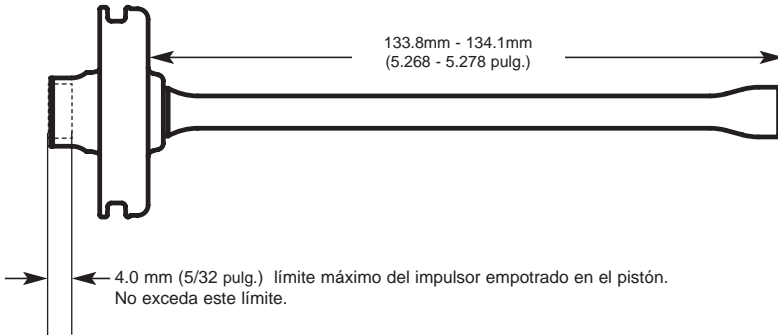
PRESIÓN Y VOLUMEN DEL SUMINISTRO DE AIRE:

El volumen de aire es tan importante como la presión de aire. El volumen de aire suministrado a la herramienta puede ser incorrecto debido a conectores y mangueras de tamaño inadecuado o por efectos de la suciedad y el agua en el sistema. El flujo de aire restringido impedirá que la herramienta reciba un volumen de aire adecuado, aun cuando la lectura de presión sea alta. Los resultados serán: funcionamiento lento, aplicaciones erradas o menor potencia de impulso. Antes de evaluar problemas de la herramienta si existen estos síntomas, revise el suministro de aire desde la herramienta hasta la fuente de suministro en busca de conectores restringidos, conectores giratorios, puntos bajos que contengan agua y cualquier otra cosa que impida el flujo de pleno volumen de aire a la herramienta.

INSTRUCCIONES DE MANTENIMIENTO DEL IMPULSOR DE LA CLAVADORA RN46

El impulsor desgastado causa mala calidad o pérdida de potencia:

- El desgaste en la punta instaladora afecta el impulso del clavo, con síntomas de clavos doblados o parcialmente instalados además de dañar las cabezas de los clavos.
- Puede ajustarse la longitud del impulsor para permitir remediar la punta impulsora y compensar el desgaste. Se necesita calor y una medición precisa. Diríjase a un técnico de servicio capacitado para este ajuste.
- A continuación se muestra la selección de longitud para un impulsor nuevo. La medición se efectúa desde la cara inferior del pistón principal.
- Observe que la medición desde la parte superior del pistón da la cantidad máxima que puede ajustarse el impulsor para permitir remediarlo. Siempre extienda el impulsor el mínimo necesario para permitir remediar y restablecer el extremo impulsor; será posible remediar el ajuste varias veces antes de alcanzar esta profundidad máxima.



SOLUCIÓN DE PROBLEMAS

PROBLEMA	CAUSA	CORRECCIÓN
El alojamiento de la válvula de disparo tiene fuga de aire	La junta tórica está cortada o agrietada	Cambie la junta tórica
El vástago de la válvula de disparo tiene fuga de aire	La junta tórica o los sellos están cortados o agrietados	Cambie el ensamblaje de la válvula de disparo
El armazón o la punta tiene fuga de aire	Los tornillos de la punta están sueltos	Apriete y revíselos de nuevo
	La junta tórica o la empaquetadura está cortada o agrietada	Cambie la junta tórica o la empaquetadura
	El tope está agrietado o desgastado	Cambie el tope
El armazón o la tapa tienen una fuga de aire	La empaquetadura o el sello están dañados	Cambie la empaquetadura o el sello
	El tope de la válvula cabezal está agrietado o desgastado	Cambie el tope
	Los tornillos de casquete están sueltos	Apriete y revíselos de nuevo
No hay ciclos	El suministro de aire está restringido	Revise el equipo de suministro de aire
	La herramienta está seca, falta lubricación	Use el Lubricante para herramientas neumáticas BOSTITCH
	Las juntas tóricas están desgastadas en la válvula cabezal	Cambie las juntas tóricas
	El resorte en la tapa del cilindro está roto	Cambie el resorte de la tapa del cilindro
	La válvula cabezal está pegada en la tapa	Desarme/Revise/Lubrique lo necesario
Falta energía; el ciclo es lento	La herramienta está seca, falta lubricación	Use el Lubricante para herramientas neumáticas BOSTITCH
	El resorte en la tapa del cilindro está roto	Cambie el resorte de la tapa
	Las juntas tóricas o los sellos están cortados o agrietados	Cambie las juntas tóricas o los sellos
	El escape está bloqueado	Revise el tope, el resorte de la válvula cabezal, el silenciador
	El ensamblaje del gatillo está gastado o tiene fugas	Cambie el ensamblaje del gatillo
	Hay acumulación de suciedad o alquitrán en el impulsor	Desarme la punta o el impulsor para limpiar
	El manguito del cilindro no está asentado correctamente en el tope inferior	Desármelo para corregir esto
	La válvula cabezal está seca	Desármela y lubríquela
	La presión de aire está demasiado baja	Revise el equipo de suministro de aire
	El tope está desgastado	Cambie el tope
Se saltan algunos clavos; hay alimentación intermitente	Hay alquitrán o suciedad en el canal del impulsor	Desarme y limpie la punta y el impulsor
	Restricción de aire/flujo indebido de aire a través del enchufe y la toma de desconexión rápida	Cambie los accesorios de desconexión rápida
	Está desgastada la junta tórica del pistón	Cambie la junta tórica y revise el impulsor
	La herramienta está seca, falta lubricación	Use el Lubricante para herramientas neumáticas BOSTITCH
	Hay baja presión de aire	Revise el sistema de suministro de aire a la herramienta
	Los tornillos en la punta del depósito están sueltos	Apriete todos los tornillos
	Los clavos son demasiado cortos para la herramienta	Use solamente los clavos recomendados
	Hay clavos doblados	Deje de usar estos clavos
	Los clavos son del tamaño incorrecto	Use solamente los clavos recomendados
	La empaquetadura de la tapa cabezal tiene fugas	Apriete los tornillos o cambie la empaquetadura
	La junta tórica de la válvula de disparo está cortada o desgastada	Cambie la junta tórica
	El impulsor está roto o picado	Cambie el impulsor (revise la junta tórica del pistón)
	El depósito está seco o sucio	Limpíelo y lubríquelo con Lubricante para herramientas neumáticas BOSTITCH
	El depósito está desgastado	Cambie el depósito
Los clavos se atascan en la herramienta	El canal del impulsor está desgastado	Cambie la punta, revise la puerta
	Los clavos son del tamaño incorrecto	Use solamente los clavos recomendados
	Hay clavos doblados	Deje de usar estos clavos
	Hay tornillos sueltos en el depósito o la punta	Apriete todos los tornillos
	El impulsor está roto o picado	Cambie el impulsor
CLAVADORAS DE ROLLO		
La alimentación es intermitente, se saltan clavos	El pistón de alimentación está seco	Aplique el Lubricante para herramientas neumáticas BOSTITCH en el agujero de la cubierta del pistón de alimentación
	Las juntas tóricas del pistón de alimentación están agrietadas o desgastadas	Cambie las juntas tóricas o revise el tope y el resorte.
	Revise si se atasca el trinquete	Lubrique el ensamblaje. Inspeccione el trinquete y el resorte de la puerta. Debe funcionar libremente.
	No está fijado correctamente el poste del receptáculo	Fije el poste del receptáculo según la longitud de los clavos en uso
	Hay alambres rotos de soldadura en el rollo de clavos	Retire el rollo de clavos y use otro
Los clavos se atascan en la herramienta o receptáculo	Los clavos son del tamaño incorrecto para la herramienta	Use solamente los clavos recomendados/revise el ajuste inferior del receptáculo
	Hay alambres rotos soldados en el rollo de clavos	Retire el rollo de clavos y use otro

INTRODUCTION

Le fusil à clous Bostitch RN46 est un outil de précision conçu pour fonctionner à haute vitesse et fournir un haut rendement. Cet outil est efficace et fiable lorsqu'il est utilisé correctement et avec soin. Comme pour tout outil de précision, il est nécessaire de suivre les instructions du fabricant pour obtenir les meilleures performances. Veuillez étudier ce manuel avant la mise en fonction de l'outil et vous assurer d'avoir compris les avertissements et consignes de sécurité inclus. Lisez avec précaution les instructions d'installation, de fonctionnement et de maintenance; conservez le manuel pour référence ultérieure. **REMARQUE** : Des mesures de sécurité supplémentaires peuvent être requises en fonction de votre utilisation particulière de l'outil. Pour toute question concernant l'outil et son utilisation, contactez le service clientèle Bostitch : 1-800-556-6696, ou écrivez-nous à l'adresse suivante : Bostitch Customer Service, Briggs Drive, East Greenwich, RI 02818 - États-Unis. Vous pouvez également consulter notre site Web à l'adresse suivante : www.bostitch.com

INDEX

Consignes de sécurité	23
Caractéristiques techniques de l'outil	24
Mode d'emploi	24
Alimentation en air et connexions	25
Lubrification	25
Chargement de l'outil	26
Dial-A-Depth	27
Mode d'emploi de l'outil	28
Maintenance de l'outil pneumatique	29
Entretien du chargeur	30
Dépannage	31

REMARQUE :

Les outils Bostitch sont fabriqués dans le but d'assurer une totale satisfaction et sont conçus pour atteindre un rendement maximal lorsqu'ils sont utilisés avec des éléments d'assemblage répondant aux mêmes standards de qualité. **Bostitch ne peut assumer la responsabilité du fonctionnement d'un produit, lorsqu'il est utilisé avec des accessoires et éléments d'assemblage qui ne satisfont pas aux exigences spécifiques en vigueur pour les accessoires, agrafes et clous garantis d'origine BOSTITCH.**



GARANTIE LIMITÉE – É.-U. et Canada seulement

À partir du 1er décembre 2005, Bostitch, L.P. garantit à l'acheteur d'origine au détail que ce produit est exempt de tout défaut de matériaux et de fabrication et accepte, le cas échéant, de réparer ou de remplacer, à la discrétion de Bostitch, toute agrafeuse ou cloueuse de marque Bostitch défectueuse pour une période de sept (7) ans à partir de la date d'achat (1 (un) an à partir de la date d'achat pour les compresseurs et les outils utilisés dans des applications de production). Cette garantie n'est pas cessible. Une preuve de la date d'achat est requise. Cette garantie couvre uniquement les dommages résultant de défaut de matériaux et de fabrication, et ne couvre pas les conditions ou défauts de fonctionnement résultant d'une usure normale, d'une négligence, d'un usage abusif, d'un accident, d'une réparation ou d'une tentative de réparation par une entité autre que notre Centre de réparation national ou l'un de nos Centres de service de garantie autorisé. Les lames du mandrin, les amortisseurs, les joints toriques, les pistons et les garnitures de piston sont considérés comme des pièces normales d'usure. Pour une performance optimale de votre outil Bostitch, utilisez toujours des attaches et des pièces de rechange Bostitch d'origine.

CETTE GARANTIE REMPLACE TOUTE AUTRE GARANTIE, IMPLICITE OU EXPLICITE, COMPRENANT, MAIS SANS S'Y LIMITER, LES GARANTIES IMPLICITES DE COMMERCIALISATION OU D'ADAPTATION À UN USAGE PARTICULIER. BOSTITCH NE SERA PAS TENUE RESPONSABLE DES DOMMAGES INDIRECTS OU ACCESSOIRES.

Les limitations imposées par la durée d'une garantie implicite ou l'exclusion des dommages accessoires ou indirects n'étant pas reconnues dans certains États et pays, les limitations ou exclusions précitées peuvent ne pas vous être adressées. Cette garantie vous confère des droits juridiques spécifiques qui s'ajoutent aux autres droits éventuels qui peuvent varier d'une province, d'un État ou d'un pays à l'autre.

Pour obtenir aux États-Unis des services liés à la garantie, retournez le produit à vos frais accompagné de la preuve d'achat à votre Centre de service national américain ou à un Centre de service régional indépendant de garantie autorisé. Aux États-Unis, appelez-nous au 1-800-556-6696 ou visitez le www.BOSTITCH.com pour connaître l'emplacement du Centre le plus près de chez vous. Au Canada, appelez-nous au 800-567-7705 ou visitez le www.BOSTITCH.com.

CONSIGNES DE SÉCURITÉ

ATTENTION:

UNE PROTECTION DES YEUX, conforme aux normes ANSI et fournissant une protection contre les projectiles en provenance de l'AVANT et des CÔTÉS, doit toujours être portée par l'opérateur et les personnes présentes dans la zone de travail, lors du raccordement au réseau d'air, du chargement, du fonctionnement et de la maintenance de l'outil. Une telle protection est indispensable pour vous protéger contre les projections d'attaches et de particules qui peuvent entraîner des blessures graves.



L'employeur et/ou l'utilisateur doivent s'assurer du port d'une protection oculaire adéquate. L'équipement de protection oculaire doit être conforme aux normes ANSI Z87.1 (de l'Institut National Américain des Normes), et offrir une protection à la fois frontale et latérale. **REMARQUE** : les lunettes de protection sans écrans latéraux et les masques de protection portés seuls, n'offrent pas une protection suffisante.



ATTENTION : Des mesures de sécurité supplémentaires seront nécessaires dans certains environnements. Par exemple, la zone de travail peut comporter une exposition à des niveaux de bruit pouvant conduire à un dommage auditif. L'employeur et l'utilisateur doivent alors s'assurer qu'une protection auditive adéquate est offerte et utilisée par l'opérateur et toute autre personne se trouvant dans la zone de travail. Certains environnements de travail nécessitent le port d'un casque de sécurité. Dans ce cas, l'employeur et l'utilisateur doivent s'assurer qu'un casque de sécurité conforme à la norme ANSI Z89.1 est toujours porté.

ALIMENTATION EN AIR COMPRIMÉ ET RACCORDEMENT

ATTENTION:

L'oxygène ou les gaz combustibles ne doivent en aucun cas être employés comme source d'énergie, sachant que l'outil peut exploser et provoquer des blessures.

ATTENTION:

N'utiliser en aucun cas des sources d'énergie à une pression dépassant 14 kg/cm² (13,8 bars), car l'outil peut éclater et causer des blessures.

ATTENTION:

L'appareil ne doit pas rester sous pression lorsqu'il est déconnecté de la source d'air. Si un mauvais raccord est utilisé, l'outil peut demeurer sous pression même après le désaccouplement, et de ce fait, peut éjecter un élément d'assemblage et causer des blessures.

ATTENTION:

Ne pas appuyer sur la détente ou abaisser le mécanisme de contact tant que l'outil est connecté à la source d'air, car celui-ci peut se déclencher et donc provoquer des blessures.

ATTENTION:

Toujours désaccoupler l'appareil de sa source d'énergie : 1) avant tout réglage; 2) lors de l'entretien; 3) lors d'un désenrayage; 4) à la fin de l'utilisation; 5) lors du déplacement vers une nouvelle zone de travail, car un déclenchement accidentel peut se produire et causer des blessures.

CHARGEMENT DE L'APPAREIL

ATTENTION:

Lors du chargement de l'appareil : 1) Ne jamais placer la main ou toute autre partie du corps dans la direction de projection de l'élément d'assemblage de l'outil; 2) Ne jamais pointer l'outil vers quelqu'un; 3) Ne pas presser sur la détente ou appuyer sur le palpeur de surface, car un déclenchement accidentel peut se produire et causer des blessures.

FONCTIONNEMENT

ATTENTION:

Manipuler l'appareil avec précaution : 1) Ne pas jouer ou chahuter avec l'appareil; 2) Ne jamais appuyer sur la détente tant que le nez de l'appareil n'est pas dirigé vers la pièce à assembler; 3) Tenir les autres personnes à distance raisonnable de l'outil lors de l'utilisation de celui-ci, car un déclenchement accidentel peut se produire et causer des blessures.

ATTENTION:

Ne pas maintenir la détente pressée sur un outil possédant un mécanisme de contact, sauf pendant le travail d'assemblage, car un accident grave pourrait se produire si le palpeur de surface entrait en contact avec un objet ou une personne et entraînerait le déclenchement de l'outil.

ATTENTION:

Lorsque l'appareil est connecté à la source d'énergie, éloigner les mains et le corps de l'orifice d'éjection. Un outil à mécanisme de contact peut «rebondir» après l'éjection d'un élément d'assemblage, et un second élément d'assemblage peut accidentellement être éjecté.

ATTENTION:

Vérifier régulièrement le mécanisme de contact. Ne pas utiliser un appareil dont le mécanisme de contact est inopérant, un accident peut en résulter. Ne pas changer le mode opératoire du mécanisme de contact.

ATTENTION:

Ne pas enfoncer des attaches lorsque l'outil est trop penché ou par-dessus d'autres attaches car cela pourrait faire dévier ces dernières et entraîner des blessures.

ATTENTION:

Ne pas enfoncer des attaches près du bord de la pièce car le bois pourrait se fendre et faire dévier les attaches, entraînant ainsi des blessures.

ATTENTION:

Pendant son fonctionnement, cette cloueuse génère des ÉTINCELLES. NE JAMAIS utiliser la cloueuse près de substances, gaz ou vapeurs inflammables, y compris : laque, peinture, benzène, solvant, essence, adhésifs, mastics, colles ou tous autres produits qui sont, eux ou leurs vapeurs, brumes ou produits dérivés, inflammables, combustibles ou explosifs. L'utilisation de la cloueuse dans un tel environnement pourrait mener à une EXPLOSION pouvant causer des blessures ou le décès de l'utilisateur ou de personnes à proximité.

ENTRETIEN DE L'APPAREIL

ATTENTION:

Lors de l'utilisation d'un outil fonctionnant sous-pression, lire les avertissements du manuel et user d'extrêmes précautions lors de la découverte d'un problème.

CARACTÉRISTIQUES TECHNIQUES DE L'OUTIL

Toutes les dimensions de vis et d'écrous sont exprimées dans le système métrique

MODÈLE	OUTIL DÉCLENCHÈMENT	LONGUEUR	HAUTEUR	LARGEUR	POIDS
RN46-1	Butée de déclenchement	266.7mm (10-1/2 po)	269.9mm (10-5/8 po)	117.5mm (4-5/8 po)	2.2 kg (4.8 lb)
RN46-2	Déclencheur séquentiel	266.7mm (10-1/2 po)	269.9mm (10-5/8 po)	117.5mm (4-5/8 po)	2.2 kg (4.8 lb)

SPÉCIFICATIONS DES ATTACHES :

Cet outil utilise des clous de couvrir en bandes-cartouches d'une longueur comprise entre po et 1-3/4 po (19 et 45 mm) et de 0.120 po (3 mm) de diamètre.

RACCORD PNEUMATIQUE :

Cet outil utilise un raccord pour débit continu, 1/4 N.P.T dont le diamètre intérieur doit mesurer au moins 5 mm. Le raccord doit être en mesure d'évacuer la pression pneumatique lorsque l'outil est déconnecté de l'air réseau.

PRESSION DE FONCTIONNEMENT :

4.8 à 8.3 kg/cm (70 à 120 p.s.i.g.). Sélectionnez une pression de fonctionnement dans cet intervalle pour obtenir les meilleures performances.

NE DÉPASSEZ PAS LA PRESSION DE FONCTIONNEMENT RECOMMANDÉE

CONSUMMATION D'AIR :

Le modèle RN46 exige 0.11 m³/min pour fonctionner à la cadence de 100 clous par minute à une pression de 5.6 kg/cm². Considérez le régime de fonctionnement de votre outil afin de déterminer le montant d'air requis. Ainsi, pour un débit de 50 clous par minute, vous aurez besoin de 50% du volume par minute requis pour faire fonctionner l'outil avec un débit de 100 clous par minute.

FONCTIONNEMENT

BOSTITCH permet deux types de fonctionnement pour cette série d'outils.

BUTÉE DE DÉCLENCHÈMENT

La procédure de fonctionnement habituelle pour les outils à butée de déclenchement, consiste pour l'opérateur à toucher l'ouvrage afin d'actionner le mécanisme de butée (gâchette toujours enclenchée) et de fixer une attache à chaque contact de l'ouvrage. Cette méthode permet de fixer rapidement des attaches dans le cadre de nombreuses applications industrielles.

Tous les outils pneumatiques accusent un recul lors de la fixation des attaches. L'outil peut ainsi rebondir, libérant la butée. S'il entre accidentellement à niveau en contact avec la surface de travail — la gâchette toujours enclenchée, c'est-à-dire, avec le doigt appuyant la gâchette — une seconde attache indésirable sera éjectée.

DÉCLENCHEUR SÉQUENTIEL

Le déclencheur séquentiel exige que l'opérateur maintienne l'outil contre l'ouvrage et appuie sur la gâchette. Cela permet une plus grande précision de fixation sur les travaux de finition par exemple.

Ce type de déclencheur permet de choisir un emplacement exact pour le dispositif de fixation, et élimine le risque de l'éjection d'un second au rebond signalé dans la section « Butée de déclenchement ».

Le déclencheur séquentiel offre un réel avantage de sécurité. En effet, une attache ne sera pas accidentellement fixée si l'outil entre en contact avec l'ouvrage — ou quoi que ce soit d'autre — si l'opérateur n'a pas le doigt sur la gâchette.

IDENTIFICATION DE MODÈLE :

Avant de continuer à utiliser cet outil, veuillez consulter les instructions de fonctionnement à la page 8.

BUTÉE DE DÉCLENCHÈMENT

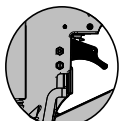
Identifié par :

GÂCHETTE NOIRE

DÉCLENCHEUR SÉQUENTIEL

Identifié par :

GÂCHETTE NOIRE



ALIMENTATION EN AIR ET CONNEXIONS

N'utilisez jamais de l'oxygène, des gaz combustibles ou des bouteilles de gaz pour alimenter cet outil ; il pourrait exploser et causer des blessures.

RACCORDS :

Installez un raccord mâle sur l'outil capable de délivrer un débit d'air continu et de libérer la pression d'air de l'outil lorsqu'il est déconnecté de l'alimentation.

CONDUITS :

Les conduits d'air doivent être soumis à un minimum de 10.6 kg/cm² de pression nominale de fonctionnement, ou 150 pour cent de la pression maximum qui peut être produite par le système d'alimentation en air. Le tuyau d'alimentation doit contenir un raccord permettant une « déconnexion rapide » du raccord mâle de l'outil.

ALIMENTATION :

Veillez à n'utiliser qu'une source d'air comprimé régulée et propre pour alimenter cet outil. **N'UTILISEZ JAMAIS D'OXYGÈNE, DE GAZ COMBUSTIBLES NI DE BOUTEILLES DE GAZ POUR ALIMENTER CET OUTIL, CAR IL POURRAIT EXPLOSER.**

RÉGULATEUR :

Un régulateur de pression capable de maintenir une pression de fonctionnement de 0 - 8.79 kg/cm² est requis pour garantir la sécurité d'utilisation de cet outil. Ne connectez pas cet outil si la pression d'air est susceptible de dépasser 14 kg/cm², car l'outil pourrait exploser et occasionner des blessures.

PRESSION DE FONCTIONNEMENT :

Ne dépassez pas la pression de fonctionnement recommandée car l'usure de l'outil augmenterait de façon considérable. L'alimentation d'air doit être en mesure de maintenir la pression de fonctionnement de l'outil. Une baisse de pression subite de l'alimentation d'air est susceptible de réduire la puissance motrice de l'outil. Consultez les « SPÉCIFICATIONS DE L'OUTIL » pour régler correctement la pression de fonctionnement de l'outil.

FILTRE :

La poussière et la vapeur d'eau dans l'air constituent la cause majeure de l'usure des outils pneumatiques. L'utilisation d'un filtre permettra d'obtenir de meilleures performances, ainsi qu'une usure minimum de l'outil. Le filtre doit pouvoir écouler l'air de façon adéquate pour une installation donnée. Il doit demeurer propre afin de fournir une source d'air comprimé optimale à l'outil. Consultez les instructions du fabricant pour assurer une maintenance correcte de votre filtre. Un filtre sale et bouché a pour effet une baisse de pression susceptible de réduire les performances de l'outil.

LUBRIFICATION

Une lubrification fréquente mais sans excès est nécessaire pour assurer un fonctionnement optimal. Les pièces internes sont lubrifiées par l'ajout d'huile via la conduite d'air. Utilisez le lubrifiant pour outil pneumatique BOSTITCH, Renolin HPL 46, ou un équivalent. N'utilisez pas de l'huile détergente ni d'additifs. Ces lubrifiants accélèrent l'usure des joints et des butées de l'outil, ce qui a un effet négatif sur les performances et la fréquence d'entretien.

Si aucun lubrifiant de conduite d'air n'est utilisé, ajoutez de l'huile dans le raccord d'air de l'outil une ou deux fois par jour. Il suffit d'appliquer quelques gouttes d'huile. Tout excès s'accumule dans l'outil et apparaîtra lors du cycle d'échappement.

FONCTIONNEMENT À BASSE TEMPÉRATURE :

Pour un fonctionnement par temps froid (une température proche ou inférieure à 0 °C), la conduite d'air peut geler et empêcher le fonctionnement de l'outil. Nous vous recommandons d'utiliser la formule hivernale du lubrifiant pour outil pneumatique BOSTITCH ou, à défaut, un antigel permanent (éthylène-glycol).

ATTENTION : Ne stockez pas les outils à basse température afin d'éviter la formation de gel ou de glace dans les soupapes et mécanismes sous peine de causer le mauvais fonctionnement de l'outil.

REMARQUE : Certains liquides commerciaux de séchage de conduite d'air ne conviennent pas aux joints toriques. N'utilisez pas de tels liquides avant de vous être assuré qu'il est compatible.

CHARGEMENT DU RN46

ATTENTION: Une **PROTECTION DES YEUX**, conforme aux normes ANSI et fournissant une protection contre les projectiles en provenance de l'AVANT et des CÔTÉS, doit **TOUJOURS** être portée par l'opérateur et les personnes présentes dans la zone de travail, lors du chargement, du fonctionnement et de la maintenance de l'outil. Une telle protection est indispensable pour vous protéger contre les attaches et débris projetés, susceptibles d'entraîner des blessures graves.



ATTENTION: L'employeur et/ou l'utilisateur doivent s'assurer qu'une protection des yeux est portée. L'équipement de protection doit être conforme à la norme ANSI Z87.1-1989 (R1998) et doit fournir une protection frontale et latérale. **REMARQUE :** Des lunettes sans coques latérales et des masques faciaux ne fournissent pas la protection nécessaire.

POUR PRÉVENIR TOUT ACCIDENT :

- Ne placez jamais la main ou une partie quelconque du corps sur la trajectoire de sortie des dispositifs de fixation lorsque, la source d'alimentation est connectée.
- Ne pointez jamais l'outil vers quelqu'un d'autre.
- Ne chahutez pas.
- N'appuyez sur la gâchette que lorsque le nez de pose de l'outil est dirigé vers l'ouvrage.
- Veillez à toujours manipuler l'outil avec précaution.
- N'appuyez jamais sur la gâchette et n'abaissez pas le mécanisme de butée en chargeant l'outil.

1. Ouvrez le magasin :

Abaissez le loquet et basculez la porte/le couvercle du magasin vers le bas. Fig. A

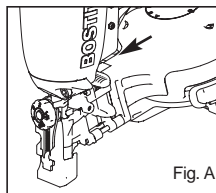


Fig. A

2. Vérifiez le réglage :

Le fusil à clous doit être réglé en fonction de la longueur de clou à utiliser. Les clous ne s'alimentent pas sans à-coups si le magasin est mal réglé. Le magasin contient une plate-forme à clous réglable sur laquelle repose la cartouche de clous. La plate-forme peut être remontée ou abaissée de deux crans. Pour modifier le réglage, remontez le montant et tournez jusqu'au cran correct. Fig. B
Clous de 38 à 45 mm (1-1/2 à 1-3/4 po) - utilisez le cran inférieur
Clous de 19, 22, 25, 32 mm (3/4, 7/8, 1, 1-1/4 po) - utilisez le cran supérieur.

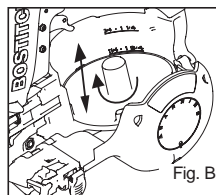


Fig. B

3. Mettez en place la bande-cartouche de clous :

Placez la bande-cartouche de clous pardessus le montant du magasin. Déroulez une longueur suffisante de clous pour atteindre le cliquet d'alimentation. Placez le premier clou devant la dent avant du cliquet d'alimentation, dans le chargeur. Les têtes de clous doivent se trouver dans la fente du nez de pose. Fig. C

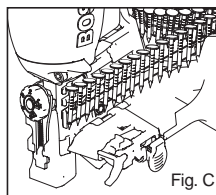


Fig. C

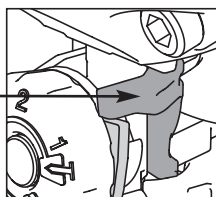
4. Refermez la porte/le couvercle du magasin :

Basculez la porte/le couvercle du magasin pour fermer. Assurez-vous que le loquet s'enclenche en position.

Mécanisme de verrouillage

Cet outil est équipé d'un mécanisme de verrouillage. L'outil ne peut pas fonctionner lorsque le verrouillage est activé, comme illustré.

Bras de verrouillage

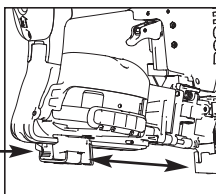


Calibre à bardeaux

ATTENTION: Déconnectez l'arrivée d'air avant d'effectuer des réglages.

Ce calibre permet de mesurer l'espacement des bardeaux. Pour le régler, appuyez sur le levier du calibre et glissez-le jusqu'à l'exposition des bardeaux désirée, comme illustré.

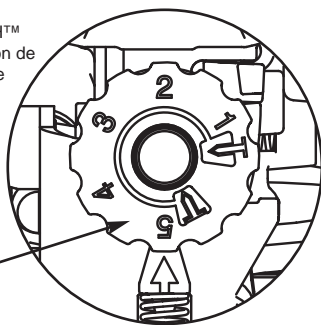
Levier du calibre



COMMANDE DE RÉGLAGE DES ATTACHES DIAL-A-DEPTH™

La commande de réglage des attaches DIAL-A-DEPTH™ permet de contrôler étroitement la profondeur d'insertion de l'attache : au niveau de la surface de travail ou fraisure peu profonde ou profonde.

Réglez tout d'abord la pression d'air pour assurer une pénétration régulière dans un ouvrage donné, comme décrit à la page 4, puis utilisez la commande de réglage des attaches DIAL-A-DEPTH™ afin de régler la profondeur de pénétration souhaitée.



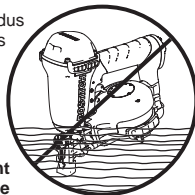
BOUTON DE RÉGLAGE DE PROFONDEUR

NETTOYAGE DU FUSIL À CLOUS POUR COUVREUR

ATTENTION: N'utilisez pas d'essence ou d'autres liquides très inflammables pour nettoyer le fusil à clous. Les vapeurs risquent d'être enflammées par une étincelle et de causer une explosion.

Du goudron et des saletés risquent de s'accumuler sur le nez de pose et le levier de déclenchement et peuvent compromettre le fonctionnement de l'outil. Retirez les résidus avec du kérosène, du mazout no. 2 ou du diesel. Ne plongez pas le fusil à clous dans ces solvants au-delà de la hauteur de la tête des clous pour éviter que le solvant n'entre dans le cylindre de commande. Séchez le fusil à clous avant usage. Tout film d'huile restant après le nettoyage accélérera l'accumulation de goudron et le fusil à clous exigera un nettoyage plus fréquent.

REMARQUE : Les solvants vaporisés sur le nez de pose pour nettoyer et dégripper le levier de déclenchement risquent d'avoir l'effet inverse ! Le solvant peut assouplir le goudron des bardeaux et causer l'accélération d'accumulation de goudron. Comme indiqué plus haut, un fonctionnement à sec est préférable.



EN PLUS DES AUTRES AVERTISSEMENTS CONTENUS DANS CE MANUEL, VEILLEZ À OBSERVER LES PRÉCAUTIONS SUIVANTES :

- N'utilisez jamais l'outil pneumatique BOSTITCH dans un autre but que celui pour lequel il a été conçu.
- N'orientez jamais l'outil de façon à ce qu'il puisse éjecter une attache en direction de l'utilisateur ou d'autres personnes dans la zone de travail.
- N'utilisez jamais l'outil comme un marteau.
- Veillez à toujours transporter l'outil à l'aide de la poignée. Ne transportez jamais l'outil par son conduit d'air.
- Ne modifiez pas la conception ou la fonction originale de l'outil sans avoir obtenu l'accord de BOSTITCH.
- Gardez toujours présent à l'esprit qu'une utilisation ou une manipulation incorrecte de cet outil est susceptible de causer des blessures à vous-même et à d'autres personnes.
- Ne bloquez jamais la gâchette ou la butée de déclenchement en position enclenchée.
- Ne laissez jamais un outil sans surveillance avec le conduit d'air attaché.
- Ne faites pas fonctionner l'outil s'il ne comporte pas une ÉTIQUETTE D'AVERTISSEMENT lisible.
- Cessez d'utiliser l'outil en cas de fuite d'air ou s'il ne fonctionne pas correctement. Si le problème persiste, mettez-vous en contact avec le représentant Bostitch le plus proche.

FONCTIONNEMENT DE L'OUTIL

ATTENTION:



Une **PROTECTION DES YEUX** conforme aux normes ANSI et fournissant une protection contre les projectiles en provenance de l'AVANT et des CÔTÉS doit **TOUJOURS** être portée par l'opérateur et les personnes présentes dans la zone de travail, lors du chargement, du fonctionnement et de la maintenance de l'outil. Une telle protection est indispensable pour vous protéger contre les attaches et débris projetés, susceptibles d'entraîner des blessures sérieuses.

L'employeur et/ou l'utilisateur doivent s'assurer qu'une protection des yeux est portée. L'équipement de protection doit être conforme à la norme ANSI Z87.1-1989 (R1998) et doit fournir une protection frontale et latérale.

REMARQUE : Des lunettes sans protection latérale et des masques faciaux ne fournissent pas la protection nécessaire.

PRÉALABLEMENT À LA MANIPULATION OU À L'UTILISATION DE CET OUTIL :

- I. **VEILLEZ À LIRE ET COMPRENDRE LES AVERTISSEMENTS CONTENUS DANS CE MANUEL.**
- II. **REPORTEZ-VOUS AUX « CARACTÉRISTIQUES TECHNIQUES DE L'OUTIL » DANS CE MANUEL POUR IDENTIFIER LE PRINCIPE DE FONCTIONNEMENT DE VOTRE OUTIL.**

Il existe trois systèmes disponibles sur les outils pneumatiques BOSTITCH. À savoir :

1. BUTÉE DE DÉCLENCHEMENT
2. SÉQUENCE DE DÉCLENCHEMENT
3. ACTIONNÉ À LA GÂCHETTE

FONCTIONNEMENT

1. FONCTIONNEMENT DE LA BUTÉE DE DÉCLENCHEMENT :

Le MODÈLE À BUTÉE DE DÉCLENCHEMENT comporte une butée qui fonctionne en conjonction avec la gâchette pour fixer un dispositif. Il existe deux méthodes de fonctionnement avec cet outil.

- A. **FIXATION DE DISPOSITIFS UNIQUES :** Pour utiliser l'outil de cette manière, commencez par placer la butée de déclenchement sur la surface de travail, **SANS APPUYER SUR LA GÂCHETTE**. Abaissez la butée de déclenchement jusqu'à ce que le nez de pose vienne toucher la surface de travail, puis appuyez sur la gâchette pour fixer un dispositif. Veillez à ne pas exercer plus de force que nécessaire sur la surface de travail.
Au contraire, laissez l'outil rebondir afin d'éviter de fixer une seconde attache indésirable. Veillez à retirer votre doigt de la gâchette après chaque opération.
- B. **FIXATION RAPIDE D'ATTACHES :** Pour utiliser l'outil de cette manière, commencez par tenir la butée de déclenchement au-dessus de la surface de travail, mais sans établir le contact. Appuyez sur la gâchette, puis tapez la butée de déclenchement contre la surface de travail en tirant parti du rebond. Tout nouveau contact avec la surface de travail permet de fixer une nouvelle attache.

ATTENTION:

L'opérateur ne doit pas conserver la gâchette enclenchée sur les outils à bras de contact, sauf au moment de fixer des attaches. Si la butée de déclenchement vient en contact avec quelqu'un ou quelque chose l'outil peut effectuer un cycle et causer des blessures graves.

ATTENTION:

Gardez les mains et le corps à l'écart de la trajectoire de sortie des attaches. Un outil de bras de contact peut rebondir lors de la fixation d'une attache ; un second dispositif indésirable peut le cas échéant causer des blessures.

2. SÉQUENCE DE DÉCLENCHEMENT :

Le modèle à SÉQUENCE DE DÉCLENCHEMENT comporte une butée de déclenchement qui fonctionne en conjonction avec la gâchette pour fixer une attache. Pour faire fonctionner ce système, positionnez la butée de déclenchement sur la surface de travail, **SANS APPUYER SUR LA GÂCHETTE** Abaissez la butée de déclenchement, puis appuyez sur la gâchette pour enfoncer une attache. Tant que le contact est maintenu entre la butée de déclenchement et l'ouvrage, il suffit d'appuyer sur la gâchette pour enfoncer une nouvelle attache. Par contre, si la butée de déclenchement perd le contact avec la surface de travail, la séquence ci-dessus doit être répétée pour fixer une autre attache.

3. ACTIONNÉ À LA GÂCHETTE :

L'outil ACTIONNÉ À LA GÂCHETTE exige une seule action pour introduire l'attache. Chaque fois que vous appuyez sur la gâchette, l'outil fixe l'attache. Ce modèle n'a pas de butée de déclenchement et s'utilise uniquement là où l'utilisation d'une butée de déclenchement est impossible pour satisfaire aux exigences de l'application.

VÉRIFICATION DE L'ÉTAT DE MARCHÉ DE L'OUTIL

ATTENTION : Retirez toutes les attaches de l'outil avant de vérifier son état de marche.

1. FONCTIONNEMENT DE LA BUTÉE DE DÉCLENCHEMENT :

- A. Le doigt hors de la gâchette, appuyez la butée de déclenchement sur la surface de travail.
L'OUTIL NE DOIT PAS EFFECTUER UN CYCLE.
- B. Maintenez l'outil hors de la surface de travail et appuyez sur la gâchette.
L'OUTIL NE DOIT PAS EFFECTUER DE CYCLE.
- C. Maintenez l'outil hors de la surface de travail et appuyez sur la gâchette. Appuyez la butée de déclenchement sur la surface de travail.
L'OUTIL DOIT EFFECTUER UN CYCLE.
- D. Le doigt hors de la gâchette, appuyez la butée de déclenchement contre la surface de travail, puis appuyez sur la gâchette.
L'OUTIL DOIT EFFECTUER UN CYCLE.

2. UTILISATION DU DÉCLENCHÉUR SÉQUENTIEL :

- A. Le doigt hors de la gâchette, appuyez la butée de déclenchement sur la surface de travail.
L'OUTIL NE DOIT PAS EFFECTUER DE CYCLE.
- B. Maintenez l'outil hors de la surface de travail et appuyez sur la gâchette.
L'OUTIL NE DOIT PAS EFFECTUER DE CYCLE.
Relâchez la gâchette. La gâchette doit revenir sur sa position de sécurité.
- C. Le doigt sur la gâchette, appuyez la butée de déclenchement sur la surface de travail.
L'OUTIL NE DOIT PAS EFFECTUER DE CYCLE.
- D. Le doigt hors de la gâchette, appuyez la butée de déclenchement sur la surface de travail. Appuyez sur la gâchette.
L'OUTIL DOIT EFFECTUER UN CYCLE.

3. OUTIL ACTIONNÉ À LA GÂCHETTE :

- A. Le doigt hors de la gâchette, maintenez fermement l'outil à l'aide de la poignée.
- B. Placez le nez de pose de l'outil contre la surface de travail.
- C. Appuyez sur la gâchette pour commencer la tâche de fixation. Relâchez la gâchette; le cycle est terminé.

ATTENTION : L'OUTIL COMMENCE UN CYCLE DÈS QUE LA SÛRETÉ EST RETIRÉE ET QUE LA GÂCHETTE EST ENCLANCHÉE.

MAINTENANCE DE L'OUTIL PNEUMATIQUE

ATTENTION: Lorsque vous travaillez avec des outils pneumatiques, veuillez observer les avertissements contenus dans ce manuel et prêter une attention redoublée en cas de problème.

PIÈCES DE RECHANGE :

Nous recommandons les pièces de rechange BOSTITCH. N'utilisez pas de pièces modifiées ou ne fournissant pas une performance équivalente à celle de l'équipement d'origine.

PROCÉDURE DE MONTAGE DES JOINTS :

Lors de la réparation d'un outil, assurez-vous que les pièces internes sont propres et lubrifiées. Utilisez le produit MAGNALUBE ou un équivalent sur tous les joints toriques. Avant l'assemblage, recouvrez chaque joint torique de produit MAGNALUBE. Mettez également un peu d'huile sur les surfaces mobiles et les axes. Après le réassemblage et avant de procéder au test, ajoutez quelques gouttes de lubrifiant pour outil pneumatique BOSTITCH dans le raccord de conduite d'air.

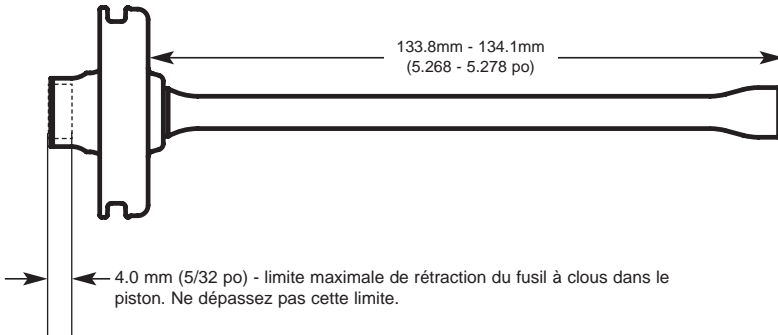
PRESSIION ET VOLUME DE L'ALIMENTATION D'AIR :

Le volume d'air est aussi important que la pression. Le volume d'air fourni à l'outil peut être inadéquat en raison de garnitures et conduits trop justes, ou en raison de la présence de poussière ou d'eau dans le système. Un débit d'air restreint empêchera que l'outil reçoive suffisamment d'air, même si la pression est haute. Il en résulte un fonctionnement ralenti, un défaut d'alimentation ou une force motrice réduite. Avant de rechercher l'existence éventuelle de ces problèmes, retracez le parcours de l'alimentation d'air de l'outil à la source. Notez l'existence éventuelle de tout élément susceptible de diminuer la circulation de l'air vers l'outil, comme un conduit ou une garniture à rotule obstrués, ou un point inférieur contenant de l'eau.

FUSIL À CLOUS RN46 - INSTRUCTIONS DE MAINTENANCE

Fusil à clous usé engendrant une mauvaise performance ou une coupure d'alimentation :

- L'usure de l'embout de fixation compromettra l'insertion du clou, qui risque d'être déformé et partiellement inséré et sa tête endommagée.
- La longueur du fusil à clous est réglable pour permettre à l'embout de fixation d'être redressé pour compenser l'usure. De la chaleur et une mesure précise sont obligatoires. Contactez un technicien qualifié pour ce réglage.
- Le réglage de longueur d'un fusil à clous neuf est indiquée ci-dessous. Le mesure se fait à partir de la face inférieure du piston principal.
- Notez que la mesure à partir du haut du piston fournit au fusil à clous l'amplitude maximale de redressement de l'outil. Allongez toujours le fusil à clous au minimum requis pour permettre le redressement afin de rétablir l'embout de fixation ; plusieurs redressements seront possibles avant que la profondeur maximale soit atteinte.



PROBLÈME	CAUSE	SOLUTION
De l'air s'échappe du boîtier de soupape de la gâchette.	Le joint torique est coupé ou craquelé.	Remplacez le joint torique.
La tige de soupape de la gâchette laisse fuir de l'air.	Le joint torique est coupé ou craquelé.	Remplacez la soupape de la gâchette.
Fuite d'air du châssis/nez de pose	Vis d'assemblage desserrées Le joint torique ou étanche est coupé ou craquelé.	Resserrez les vis et vérifiez de nouveau. Remplacez le joint torique ou étanche.
Fuite au niveau du châssis ou du chapeau de l'outil	L'amortisseur est craquelé ou trop usé. Vis d'assemblage desserrée	Remplacez l'amortisseur. Resserrez la vis et vérifiez de nouveau.
Panne	Alimentation d'air restreinte L'outil manque de lubrifiant	Vérifiez l'alimentation en air. Utilisez le lubrifiant pour outil pneumatique BOSTITCH.
Manque de puissance, l'outil tourne au ralenti.	Les joints toriques de la soupape sont trop usés. Le ressort du chapeau de bouteille est brisé. La soupape est coincée dans le chapeau. Outil sec ; lubrification nécessaire	Remplacez les joints toriques. Remplacez le ressort du chapeau de bouteille. Démontez, vérifiez et lubrifiez. Utilisez le lubrifiant pour outil pneumatique BOSTITCH.
	Le ressort du chapeau de bouteille est brisé. Les joints toriques/joints sont coupés ou craquelés. Echappement bloqué	Remplacez le ressort. Remplacez les joints toriques/joints. Vérifiez la butée, le ressort de soupape, le silencieux.
	La gâchette est trop usée ou fuit. Des impuretés se sont accumulées sur le chargeur. La chemise de cylindre n'est pas correctement placée sur l'amortisseur inférieur.	Remplacez la gâchette. Démontez le nez de pose et le chargeur afin de les nettoyer Démontez afin de corriger le problème.
Saut d'attaches, alimentation intermittente	La soupape manque de lubrifiant. La pression d'air est trop basse. L'amortisseur est usé. Du goudron/des impuretés se sont accumulés dans le chargeur Alimentation d'air restreinte ou débit d'air inadéquat à travers les raccords rapides. Le joint torique du piston est usé.	Démontez/lubrifiez. Vérifiez l'alimentation en air Remplacez l'amortisseur. Démontez le nez de pose et le chargeur afin de les nettoyer. Remplacez les raccords rapides. Remplacez le joint torique, vérifiez le chargeur.
	L'outil manque de lubrifiant. Pression d'air basse	Utilisez le lubrifiant pour outil pneumatique BOSTITCH. Vérifiez le système d'alimentation en air de l'outil.
	Les vis du nez de pose ou du magasin sont desserrées. Les dispositifs de fixation sont trop petits pour l'outil. Dispositifs de fixation pliés Taille incorrecte des dispositifs de fixation Le joint étanche fuit.	Resserrez toutes les vis. N'utilisez que les dispositifs recommandés. Cessez d'utiliser ce type de dispositif. N'utilisez que les dispositifs recommandés. Serrez les vis et remplacez le joint étanche.
	Le joint torique de la soupape de déclenchement est coupé ou usé. Chargeur brisé ou détérioré	Remplacez le joint torique. Remplacez le chargeur (vérifiez le joint torique du piston).
Les attaches se coincent dans l'outil.	Le magasin contient des impuretés ou n'est pas suffisamment lubrifié. Magasin usé Le chargeur est usé. Taille d'attache incorrecte Attaches déformées	Nettoyez ou lubrifiez à l'aide de lubrifiant pour outil pneumatique BOSTITCH. Remplacez le magasin. Remplacez le nez de pose et vérifiez la porte. N'utilisez que les attaches recommandées.
	Les vis du nez de pose ou magasin sont desserrées. Chargeur brisé ou détérioré	Cessez d'utiliser ce type d'attache Resserrez toutes les vis. Remplacez le chargeur.

MARTEAUX CLOUEURS À BANDE-CARTOUCHE

Saut d'attaches ; alimentation intermittente	Piston d'alimentation sec	Ajoutez du lubrifiant pour outil pneumatique BOSTITCH dans le trou du carter du piston d'alimentation.
	Joints toriques du piston d'alimentation fissurés/usés	Remplacez les joints toriques/vérifiez l'amortisseur et le ressort. Lubrifiez l'ensemble.
	Vérifiez le cliquet.	Inspectez le cliquet et le ressort de la porte. Ils ne doivent pas froter.
	Montant de la boîte mal installé	Réglez le montant de la boîte en fonction de la longueur des clous utilisés.
	Fils cassés dans la bande-cartouche de clous	Retirez la bande-cartouche de clous et remplacez-la
Attaches coincées dans l'outil/la boîte	Dimension des attaches inadaptée à l'outil	N'utilisez que les attaches recommandées/vérifiez le réglage de la base de la boîte.
	Fils cassés dans la cartouche de clous.	Retirez la bande-cartouche de clous et remplacez-la.

