



A KOHLER COMPANY

WINDHAM™

Features

- Modern styling made of Grade A vitreous china
- One flush performance limited guarantee
- 5 year limited warranty
- Flushes efficiently regardless of incoming water pressure
- Three-bolt, quick-connect installation system
- Available in round and elongated bowls
- Standard round or elongated seat - not supplied
- 1.6 gpf (6 lpf)
- Large 8" (20.3 cm) x 9" (22.9 cm) water surface and full 2" (5.1 cm) fully glazed trapway
- 10" (25.4 cm) or 12" (30.5 cm) rough-in
- 27-1/4" (69.2 cm) x 16-7/8" (42.9 cm) x 29" (73.7 cm)
- 29-1/4" (74.3 cm) x 16-7/8" (42.9 cm) x 29" (73.7 cm)

Codes/Standards Applicable

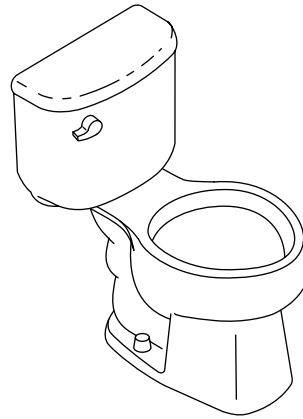
Specified model meets or exceeds the following:

- ASME A112.19.2
- IAPMO/UPC
- CSA B45

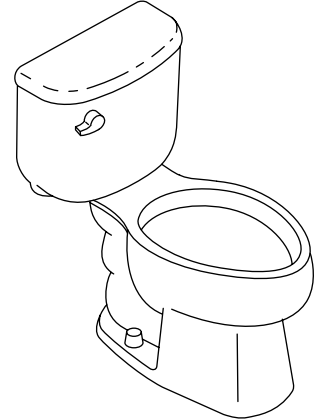
LOW CONSUMPTION TOILET

402015

ALSO 402210, 402215



Model 402015



Model 402215, 402210

Colors/Finishes

- 0: White
- Other: Refer to Price Book for additional colors/finishes

Specified Model

Model	Description	Included Tank	Included Bowl	Colors/Finishes	
402015	Round front toilet, 12" (30.5 cm) rough-in	404515	404015	<input type="checkbox"/> 0	<input type="checkbox"/> Other _____
402210	Elongated toilet, 10" (25.4 cm) rough-in	404515	404210	<input type="checkbox"/> 0	<input type="checkbox"/> Other _____
402215	Elongated toilet, 12" (30.5 cm) rough-in	404515	404215	<input type="checkbox"/> 0	<input type="checkbox"/> Other _____

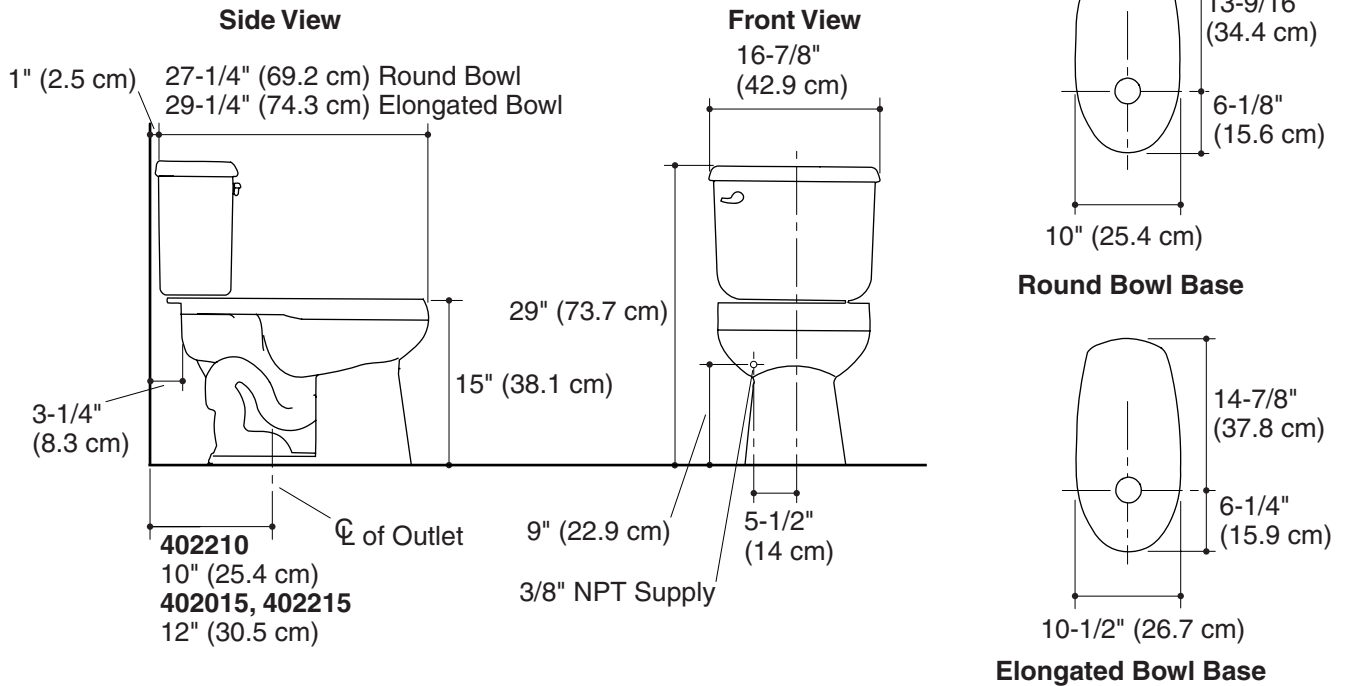
SterlingPlumbing.com

Visit us online for fixture color choices, detailed product information, color photos, installation instructions, care guides, and warranties. Sterling offers additional lines of plumbing products to complement the Sterling product you've chosen. Sign up for the Sterling monthly e-newsletter which showcases our latest product innovations. You may also call our Sterling Plumbing Answer Center from within the USA at 1-888-STERLING in addition to consulting with your local dealer. Sterling. Strong. Professional. Design.

Technical Information

Fixture:	
Configuration	2-piece
Water per full flush	1.6 gal (6 L)
Passageway	2" (5.1 cm)
Water area	8" (20.3 cm) x 9" (22.9 cm)
Seat post hole centers	5-1/2" (14 cm)

Included components:	
Tank lid	84537
Trip lever	84625
Bolt cap accessory pack	1013092



Product Diagram