

# STERLING®

A KOHLER COMPANY

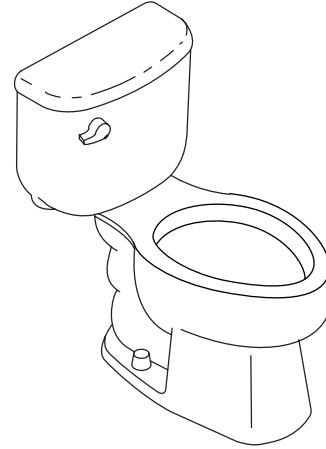
WINDHAM™

## LOW CONSUMPTION TOILET 402315

ADA

### Features

- 12" (30.5 cm) rough-in
- Modern styling made of Grade A vitreous china
- 1.6 gpf (6 lpf)
- 16-1/2" (41.9 cm) bowl height meets ADA requirements for handicap accessibility
- One flush performance limited guarantee
- 2" (5.1 cm) glazed trapway
- Three-bolt, quick-connect installation system
- Standard elongated seat - not supplied
- Seat post holes with 5-1/2" (14 cm) centers
- 5-year limited warranty
- Elongated bowl
- 29-1/4" (74.3 cm) x 16-7/8" (42.9 cm) x 30-1/2" (77.5 cm)



### Codes/Standards Applicable

Specified model meets or exceeds the following:

- ASME A112.19.2/CSA B45.1

### Colors/Finishes

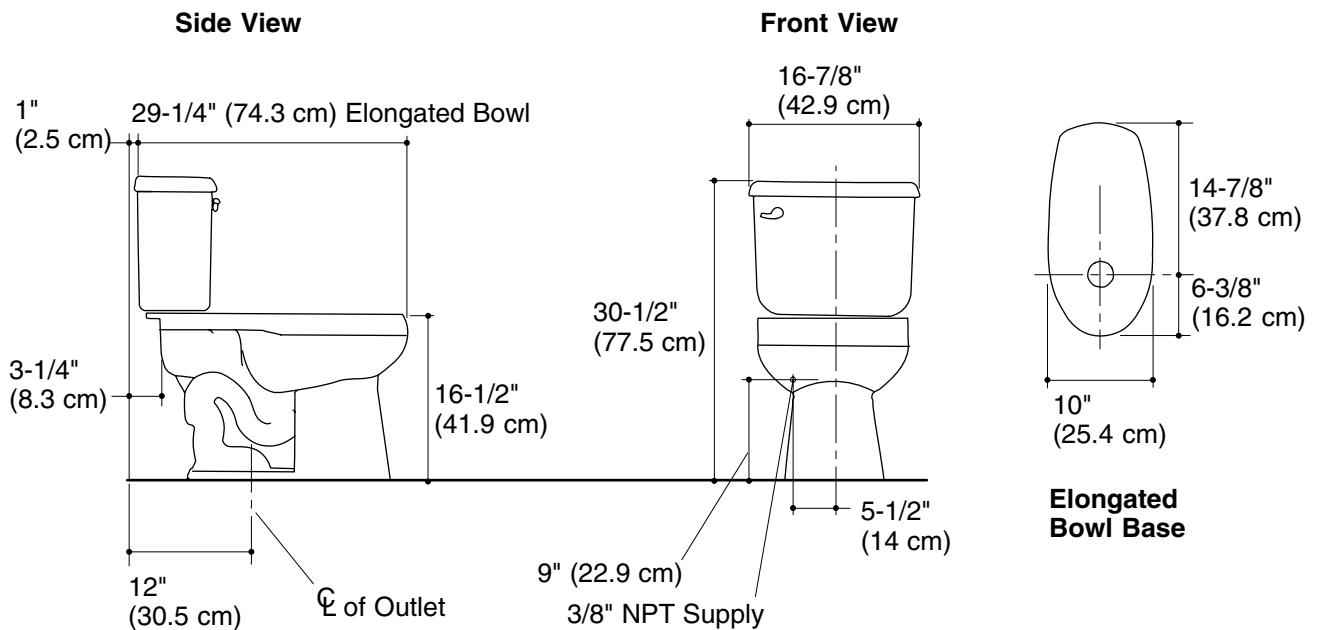
- 0: White
- Other: Refer to Price Book for additional colors/finishes

### Specified Model

Model	Description	Included tank	Included bowl	Colors/Finishes	
402315	Elongated front toilet, 12" (30.5 cm) rough-in	404515	404315	<input type="checkbox"/> 0	<input type="checkbox"/> Other_____

## Product Information

Fixture is ADA compliant.	
<b>ADA</b>	
Fixture:	
Configuration	2-piece
Water per full flush	1.6 gallons (6 L)
Passageway	2" (5.1 cm)
Water area	8" (20.3 cm) x 9" (22.9 cm)
Seat post hole centers	5-1/2" (14 cm)
Included Components:	
Tank lid	84537
Tank accessory pack	84581
Trip lever	84625
Bolt cap accessory pack	1013092



## Product Diagram