

STERLING®

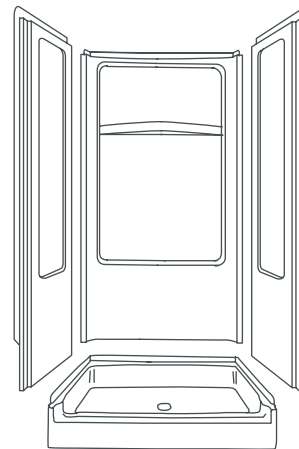
A KOHLER COMPANY

ADVANTAGE™

Features

- Compression molded from our exclusive solid Vikrell® material
- Tongue-and-groove 4-piece modular design allows for easy "snap together" installation
- Durable swirl-gloss finish
- 10-year consumer/3-year commercial limited warranty
- 32-1/4" (81.9 cm) x 35-1/4" (89.5 cm) x 73-1/4" (186.1 cm) complete unit rough-in dimensions include flange
- 32" (81.3 cm) x 34" (86.4 cm) x 72" (182.9 cm) complete unit finished dimensions

32" (81.3 cm) SHOWER RECEPTOR AND WALL SURROUND 62010100



Codes/Standards Applicable

Specified model meets or exceeds the following:

- ASTM E162
- ASTM E662
- ANSI Z124.1.2
- HUD, UM Bulletin 73A
- NAHB Research Foundation, Inc.

Colors/Finishes

- 0: White
- Other: Refer to Price Book for additional colors/finishes

Specified Model

Model	Complete Unit Description	Colors/Finishes	
62010100	32" (81.3 cm) shower receptor and wall surround	<input type="checkbox"/> 0	<input type="checkbox"/> Other_____

Model	Wall Component Description	Colors/Finishes	
62012100	Back wall	<input type="checkbox"/> 0	<input type="checkbox"/> Other_____
62013110	Left end wall	<input type="checkbox"/> 0	<input type="checkbox"/> Other_____
62013120	Right end wall	<input type="checkbox"/> 0	<input type="checkbox"/> Other_____
62015100	End wall set	<input type="checkbox"/> 0	<input type="checkbox"/> Other_____

ADVANTAGE™

Technical Information

Model	Door maximum width	Door maximum height
62010100	29-3/4" (75.6 cm)	67" (170.2 cm)

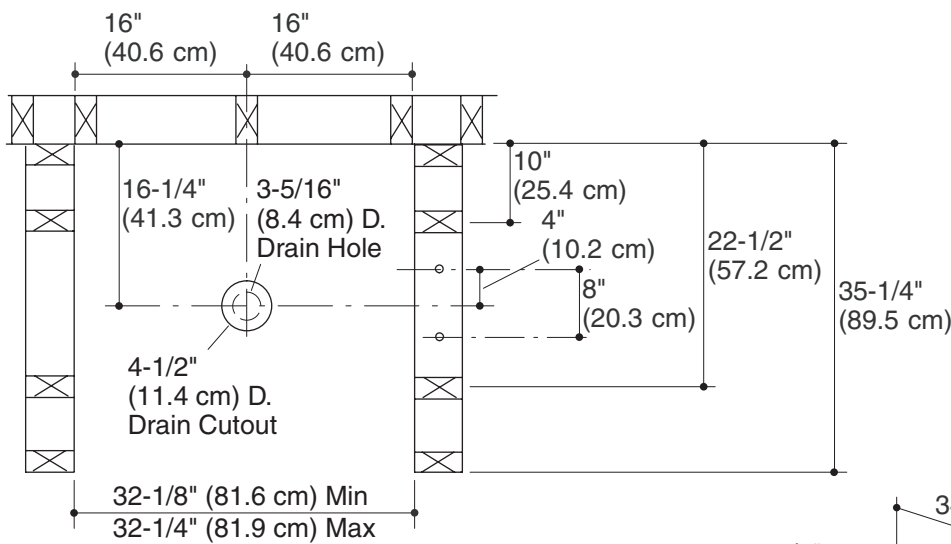
Double studding is recommended for pivot shower door installations.

Studs should be positioned roughly as shown.

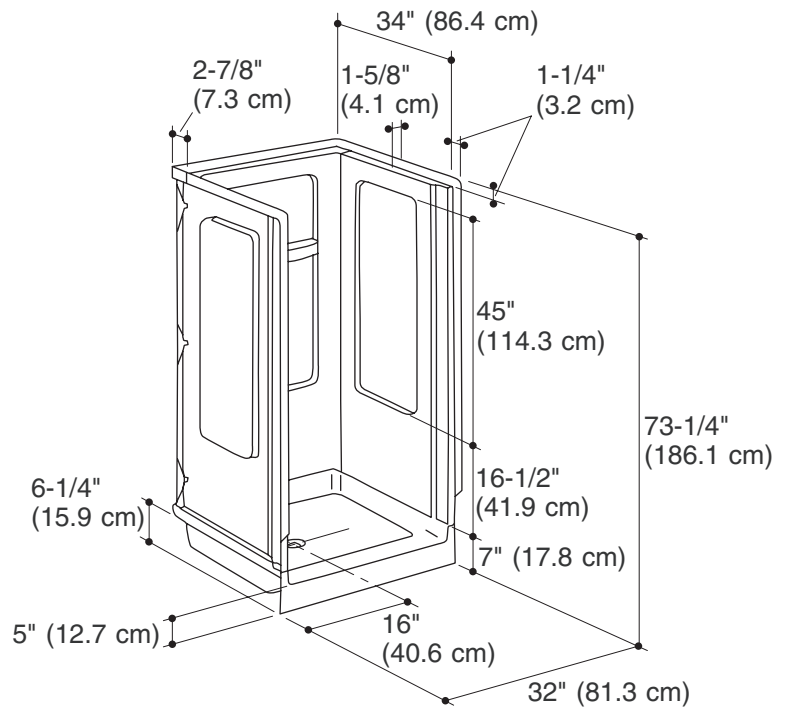
Installation Notes

Install this product according to the installation guide.

Size the drain cutout to fit the drain assembly that will be used.



62010100



Product Diagram