



A KOHLER COMPANY

ADVANTAGE™

## Features

- Two toiletry shelves and 18" (45.7 cm) towel bar in backwall for added convenience
- Compression molded from Sterling's exclusive solid VIKRELL™ material
- Modular 4-piece design
- Lightly pebbled bottom surface for sure footing
- Tongue-and-groove "snap together" design allows for caulkless installation
- Durable swirl gloss finish
- 10 year consumer/3 year commercial limited warranty
- 48" Surround Models - 48" (121.9 cm) x 35-1/4" (89.5 cm) x 73-1/4" (186.1 cm) rough-in dimensions
- 48" Surround Models - 48" (121.9 cm) x 34" (86.4 cm) x 72" (182.9 cm) finished dimensions
- 60" Surround Models - 60" (152.4 cm) x 35-1/4" (89.5 cm) x 77-1/4" (196.2 cm) rough-in dimensions
- 60" Surround Models - 60" (152.4 cm) x 34" (86.4 cm) x 76" (193 cm) finished dimensions
- Rough-in dimensions include nailing flange

## Codes/Standards Applicable

Specified model meets or exceeds the following:

- ASTM E84
- ANSI Z124.2
- IAPMO/UPC
- HUD, UM Bulletin 73A
- NAHB Research Foundation, Inc.

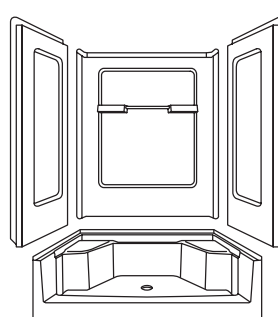
## Specified Model

Model	Description	Colors/Finishes	
62030100	48" (121.9 cm) seated shower receptor with wall surround	<input type="checkbox"/> 0 White	<input type="checkbox"/> Other_____
62040100	60" (152.4 cm) seated shower receptor with wall surround	<input type="checkbox"/> 0 White	<input type="checkbox"/> Other_____
62031100	48" (121.9 cm) seated shower receptor	<input type="checkbox"/> 0 White	<input type="checkbox"/> Other_____
62041100	60" (152.4 cm) seated shower receptor	<input type="checkbox"/> 0 White	<input type="checkbox"/> Other_____

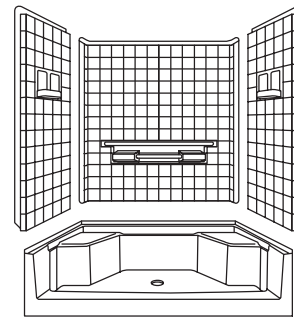
## SEATED SHOWER SURROUND

# 62030100

ALSO 62040100, 62031100, 62041100



62030100



62040100

## Colors/Finishes

- 0: White
- Other: Refer to Price Book for additional colors/finishes

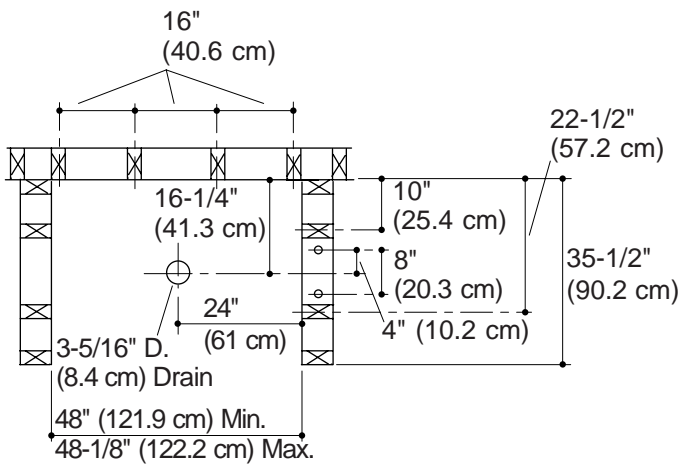
## SterlingPlumbing.com

Visit us online for fixture color choices, detailed product information, color photos, installation instructions, care guides, and warranties. Sterling offers additional lines of plumbing products to complement the Sterling product you've chosen. Sign up for the Sterling monthly e-newsletter which showcases our latest product innovations. You may also call our Sterling Plumbing Answer Center from within the USA at 1-888-STERLING in addition to consulting with your local dealer. Sterling. Strong. Professional. Design.

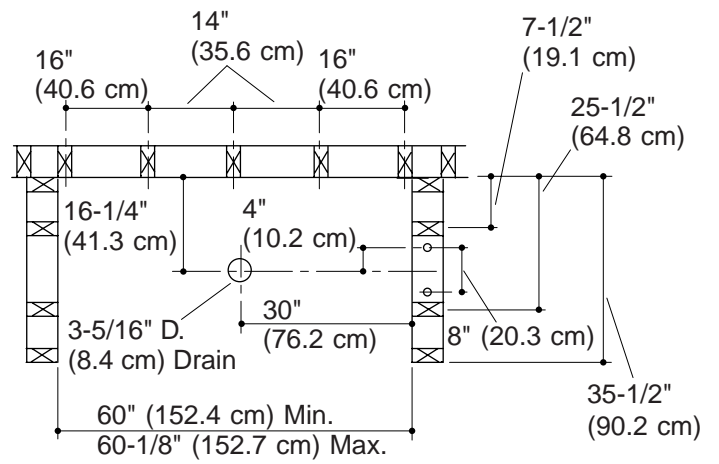
## Technical Information

Model	door maximum width	door maximum height
62030100	44-3/4" (113.7 cm)	69-1/2" (176.5 cm)
62040100	56-1/2" (143.5 cm)	69-1/2" (176.5 cm)
62031100	*48" (121.9 cm)	*NA
62041100	*60" (152.4 cm)	*NA

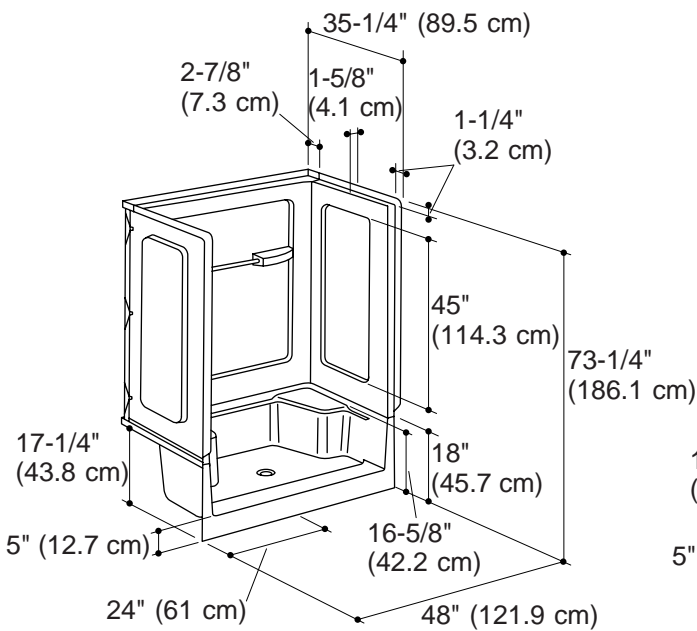
\* Varies with alternative walls.



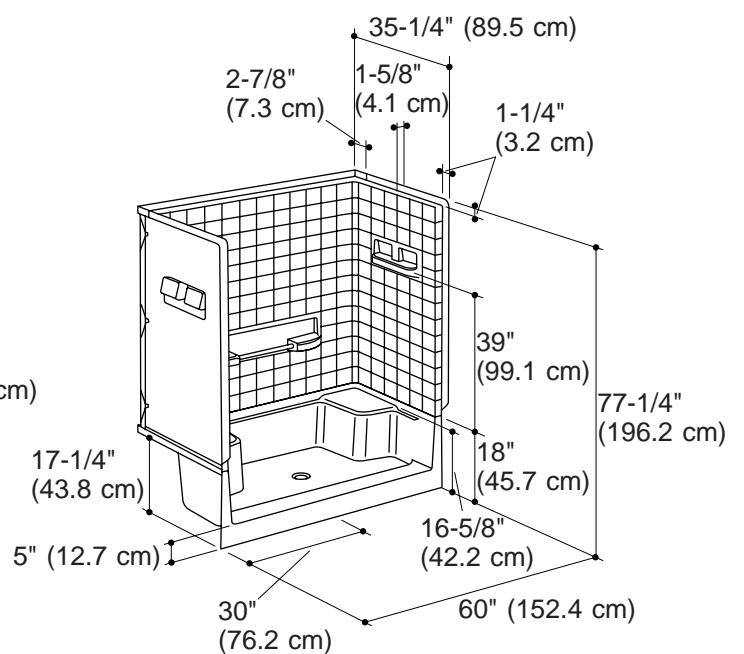
**62030100**



**62040100**



**62030100**



**62040100**

## Product Diagram