

STERLING®

A KOHLER COMPANY

ADVANTAGE™

Features

- Compression molded from our exclusive solid Vikrell® material
- Durable swirl-gloss finish
- 10-year consumer/3-year commercial limited warranty
- 60" (152.4 cm) x 35-1/4" (89.5 cm) x 18" (45.7 cm) complete unit rough-in dimensions include flange
- 60" (152.4 cm) x 34" (86.4 cm) x 17-1/4" (43.8 cm) complete unit finished dimensions

60" (152.4 cm) SEATED SHOWER RECEPTOR

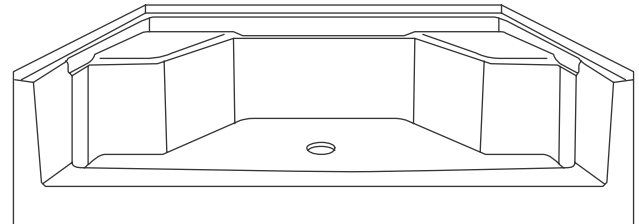
62041100
ALSO 62041400



Codes/Standards Applicable

Specified model meets or exceeds the following:

- ANSI Z124.1.2
- IAPMO/UPC
- HUD, UM Bulletin 73A
- NAHB Research Foundation, Inc.
- ASTM E162
- ASTM E662



Colors/Finishes

- 0: White
- Other: Refer to Price Book for additional colors/finishes

Specified Model

Model	Description	Colors/Finishes	
		<input type="checkbox"/> 0	<input type="checkbox"/> Other _____
62041100	60" (152.4 cm) seated shower receptor	<input type="checkbox"/> 0	<input type="checkbox"/> Other _____
62041400	60" (152.4 cm) seated shower receptor, 4 pack	<input type="checkbox"/> 0	<input type="checkbox"/> Other _____

Technical Information

Model	door maximum width	door maximum height
62041100/ 62041400	*60" (152.4 cm)	*NA
* Varies with alternative walls.		

Installation Notes

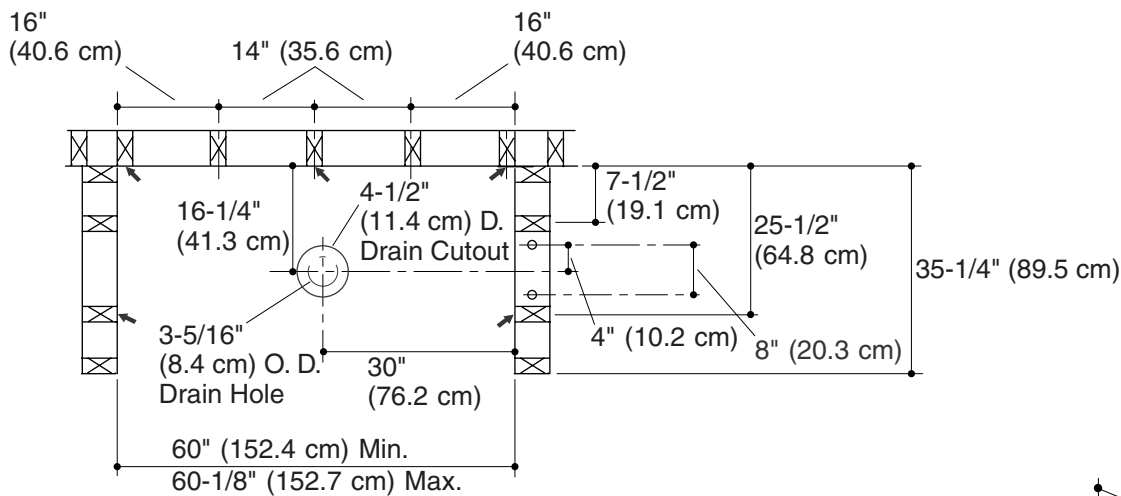
Install this product according to the installation guide.

Size the drain cutout to fit the drain assembly that will be used.

End stud positioning is critical if nailing-in flanges are to be used.

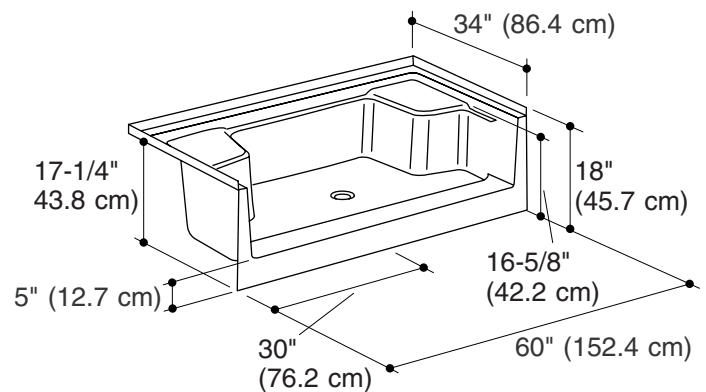
Double studding is recommended for pivot shower door installations.

Studs should be positioned roughly as shown for roofing nail installation.



Recommended Roofing Nail Locations (5 total)

62041100



Product Diagram