

# STERLING®

A KOHLER COMPANY

## Features

- Compression molded from our exclusive solid Vikrell® material
- Folding transfer seat with stainless steel support
- Factory installed stainless steel grab bars
- Durable swirl-gloss finish
- 10-year consumer/3-year commercial limited warranty
- Tongue-and-groove 4-piece modular design allows for easy "snap together" installation
- 39-3/8" (100 cm) x 40-5/8" (103.2 cm) x 73-1/4" (186.1 cm) unit rough-in dimensions include flange
- 39-3/8" (100 cm) x 39-3/8" (100 cm) x 72" (182.9 cm) complete unit finished dimensions
- 1/2" (1.3 cm) threshold for easy wheelchair access

## Codes/Standards Applicable

Specified model meets or exceeds the following:

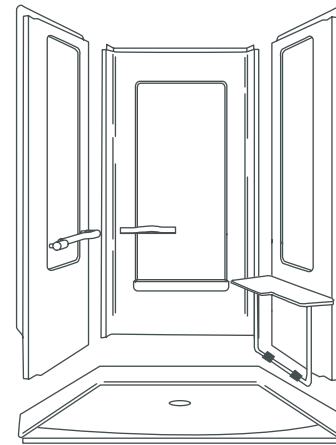
- ADA
- ICC/ANSI A117.2
- IAPMO/UPC
- HUD, UM Bulletin 73A
- NAHB Research Foundation, Inc.
- ASTM E162
- ASTM E662

## 39" (99.1 cm) ADA COMPLIANT SHOWER RECEPTOR AND SURROUND

**62050115**  
ALSO 62050125



MATERIAL STRENGTH.  
PROVEN PERFORMANCE.™



## Colors/Finishes

- 0: White
- Other: Refer to Price Book for additional colors/finishes

## Specified Model

Model	Complete Unit Description	Colors/Finishes	
62050115	39" (99.1 cm) ADA compliant* shower receptor and wall surround, with grab bars on the left, with transfer seat on the right	<input type="checkbox"/> 0	<input type="checkbox"/> Other_____
62050125	39" (99.1 cm) ADA compliant* shower receptor and wall surround, with grab bars on the right, with transfer seat on the left	<input type="checkbox"/> 0	<input type="checkbox"/> Other_____

\*Product is shipped as ADA compliant with factory assembled grabs bars and seats. When properly installed, the complete installation is ADA compliant. Components are also available separately but are provided only as ADA adaptable.

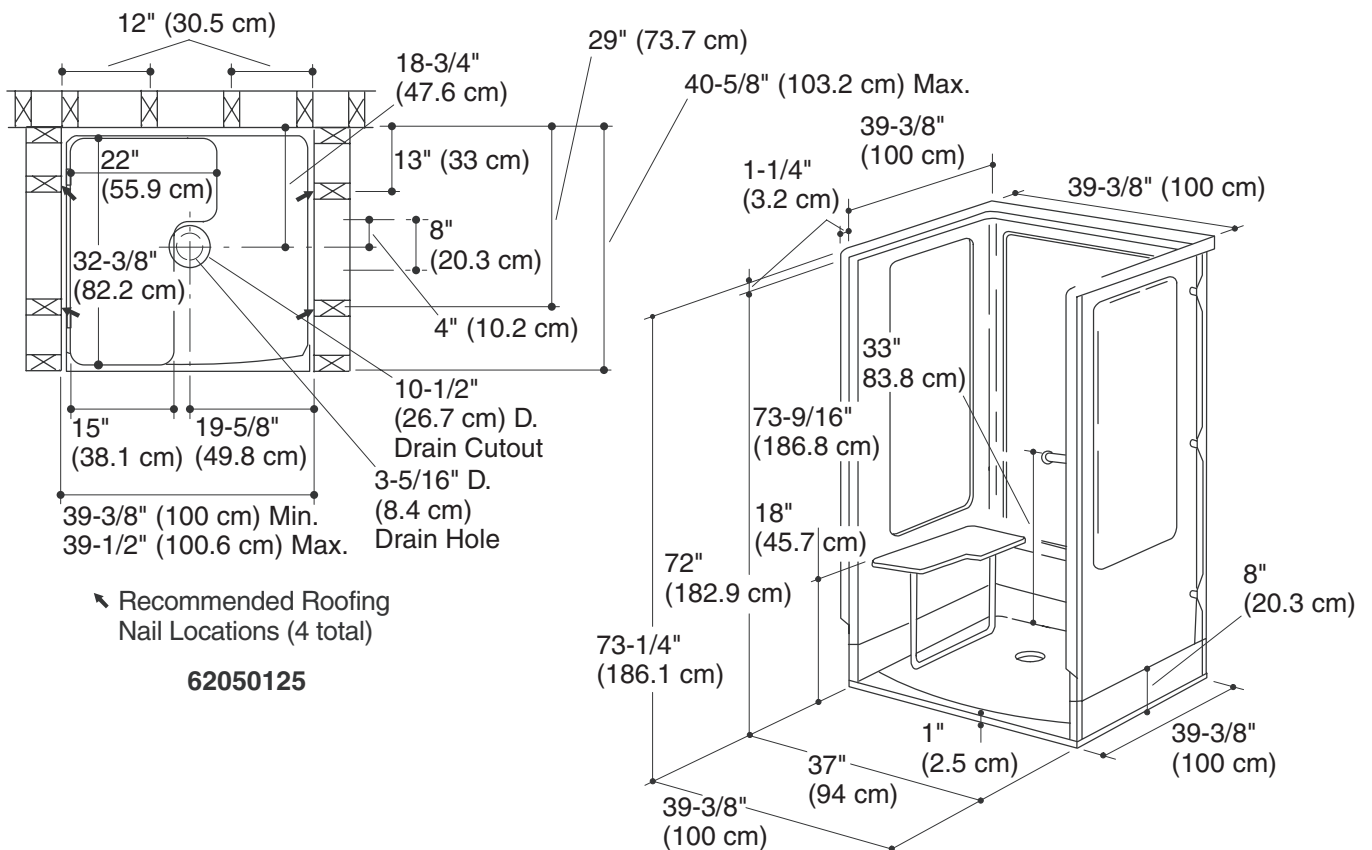
## Installation Notes

Install this product according to the installation guide.

Size the drain cutout to fit the drain assembly that will be used.

End stud positioning is critical if nailing-in flanges are to be used.

Studs should be positioned roughly as shown for roofing nail installation.



**Product Diagram**