



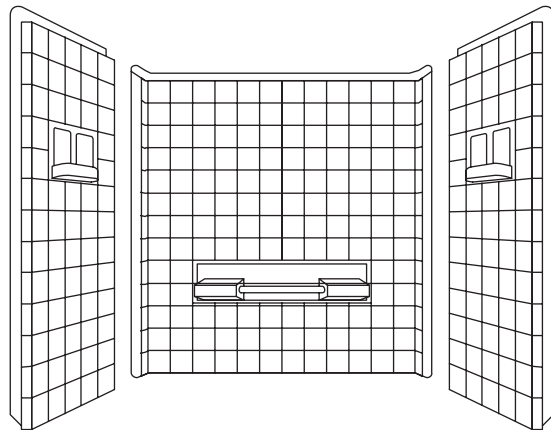
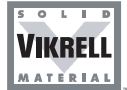
A KOHLER COMPANY

ADVANTAGE™

Features

- Compression molded from Sterling's exclusive solid Vikrell® material
- Modular 3-piece design
- Durable swirl gloss finish
- Two toiletry shelves and 18" (45.7 cm) towel bar in back wall for added convenience
- 10 year consumer/3 year commercial limited warranty
- Wall surround allows for attachment of grab bars
- 60" (152.4 cm) x 34" (86.4 cm) receptor available separately (model 62041100)
- 60" (152.4 cm) x 35-1/4" (89.5 cm) x 60-1/2" (153.7 cm) complete wall surround rough-in dimensions include flange
- 60" (152.4 cm) x 34" (86.4 cm) x 59-1/4" (150.5 cm) complete wall surround finished dimensions

60" (152.4 cm) WALL SURROUND WITH BACKER BOARD LOCATIONS 62044106



Codes/Standards Applicable

Specified model meets or exceeds the following:

- ANSI Z124.1.2
- IAPMO/UPC
- ASTM E84
- HUD, UM Bulletin 73A
- NAHB Research Foundation, Inc.

Colors/Finishes

- 0: White
- Other: Refer to Price Book for additional colors/finishes

Specified Model

Model	Wall Component Description	Colors/Finishes	
62044106	Complete wall set with backer board locations	<input type="checkbox"/> 0	<input type="checkbox"/> Other _____
Model	Complete Unit Description	Colors/Finishes	
62040106	Seated shower receptor and complete wall set with backer board locations, center drain	<input type="checkbox"/> 0	<input type="checkbox"/> Other _____

SterlingPlumbing.com

Visit us online for fixture color choices, detailed product information, color photos, installation instructions, care guides, and warranties. Sterling offers additional lines of plumbing products to complement the Sterling product you've chosen. Sign up for the Sterling monthly e-newsletter which showcases our latest product innovations. You may also call our Sterling Plumbing Answer Center from within the USA at 1-888-STERLING in addition to consulting with your local dealer. Sterling. Strong. Professional. Design.

ADVANTAGE™

Technical Information

Model	Door maximum width	Door maximum height
62044106	56-1/2" (143.5 cm)	67" (170.2 cm)

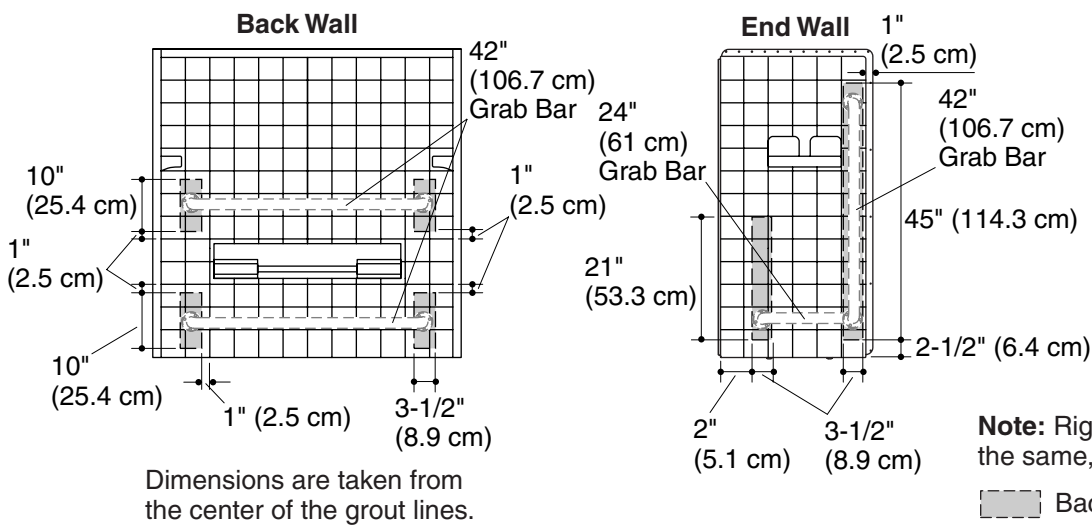
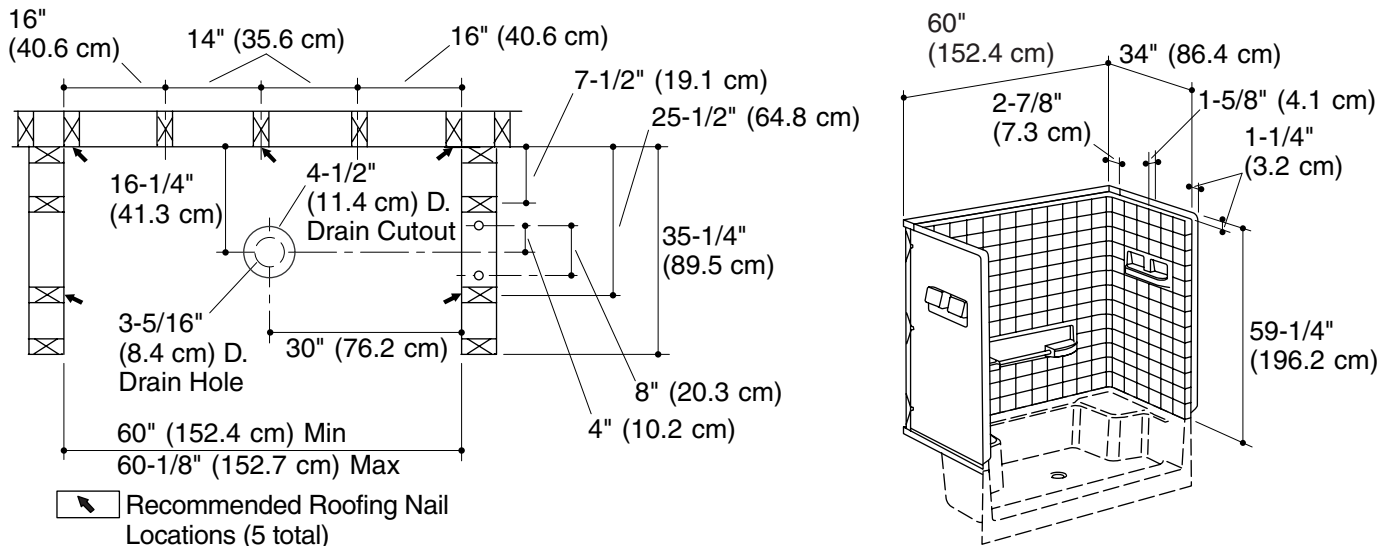
Installation Notes

Install this product according to the installation guide.

End stud positioning is critical if nailing-in flanges are to be used.

Studs should be positioned roughly as shown for support clip or roofing nail installation.

Attach grab bars at the specified backer board locations only.



Product Diagram

ADVANTAGE™ 60" (152.4 cm) WALL SURROUND WITH BACKER BOARD LOCATIONS