

# STERLING®

A KOHLER COMPANY

PERFORMA™

## Features

- Compression molded from our exclusive solid Vikrell® material
- Shipped with a bath liner to protect product during installation
- Durable high-gloss finish
- 10-year consumer/3-year commercial limited warranty
- Sloping backrest for lumbar support
- 15" (38.1 cm) bath depth (floor to top of threshold)
- 60-1/4" (153 cm) x 30" (76.2 cm) x 16-1/4 (41.3 cm) complete unit rough-in dimensions includes flange
- 60" (152.4 cm) x 29" (73.7 cm) x 15" (38.1 cm) complete unit finished dimensions

## Codes/Standards Applicable

Specified model meets or exceeds the following:

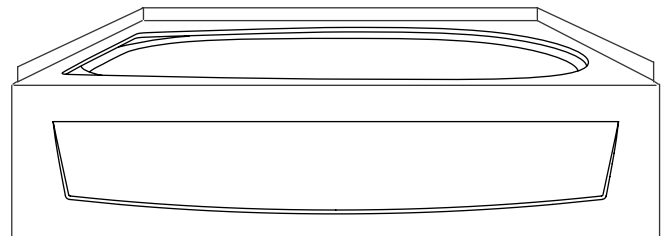
- ANSI Z124.1.2
- NAHB Research Foundation, Inc.
- CSA B45
- ASTM E162
- ASTM E662
- HUD, UM Bulletin 73A

## Specified Model

Model	Description	Colors/Finishes	
71041110	60" (152.4 cm) bath, left drain	<input type="checkbox"/> 0	<input type="checkbox"/> Other_____
71041120	60" (152.4 cm) bath, right drain	<input type="checkbox"/> 0	<input type="checkbox"/> Other_____
71041510	60" (152.4 cm) bath, 5 pack, left drain	<input type="checkbox"/> 0	<input type="checkbox"/> Other_____
71041520	60" (152.4 cm) bath, 5 pack, right drain	<input type="checkbox"/> 0	<input type="checkbox"/> Other_____

60" (152.4 cm) BATH  
**71041110**

ALSO 71041120, 71041510, 71041520



## Colors/Finishes

- 0: White
- Other: Refer to Price Book for additional colors/finishes

# PERFORMA™

## Technical Information

Fixture*:	
Basin area:	
Bathing well	21" (53.3 cm) x 39" (99.1 cm)
Top area	24" (61 cm) x 53" (134.6 cm)
To overflow:	
Water depth	10-1/4" (26 cm)
Capacity	35 gal (132.5 L)
* Approximate measurements for comparison only.	

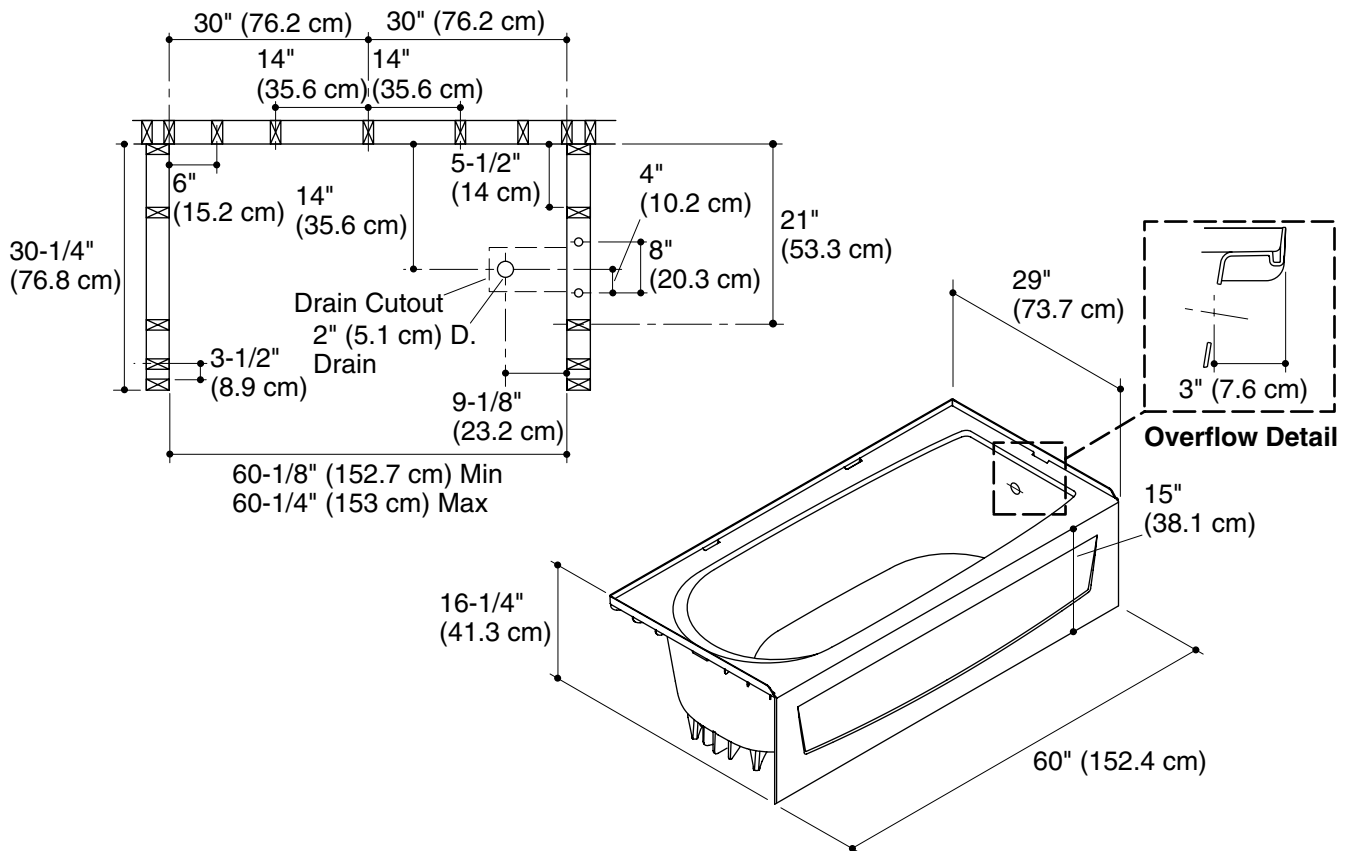
Model	door maximum width	door maximum height
71041110	60" (152.4 cm)*	NA*
71041120		
* Varies with alternative walls		

## Installation Notes

Install this product according to the installation guide.

Size the drain cutout to fit the drain assembly that will be used.

Studs should be positioned roughly as shown.



**Product Diagram**