

## Features

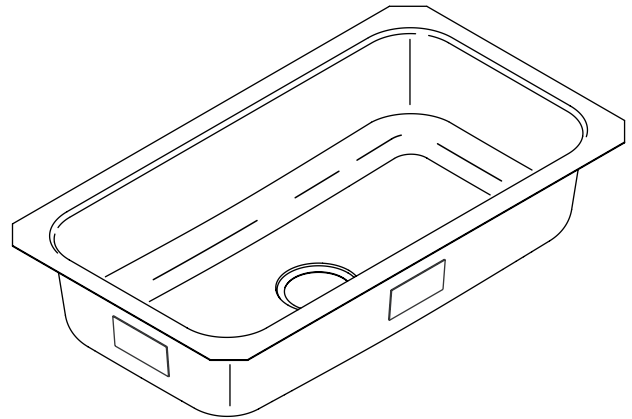
- Includes SilentShield™ sound-absorption technology
- Satin finish
- 18-gauge stainless steel
- Undermount rimless design
- 29-1/2" (74.9 cm) x 15-3/4" (40 cm) x 9-5/16" (23.7 cm)

## Codes/Standards Applicable

Specified model meets or exceeds the following:

- ASME A112.19.3
- CSA B45

## KITCHEN SINK 11600-NA



## Colors/Finishes

- NA: None applicable

## Specified Model

| Model    | Description  | Holes | Quantity | Basin Depth  | Colors/Finishes |
|----------|--------------|-------|----------|--------------|-----------------|
| 11600-NA | Kitchen sink | 0     | 1        | 9" (22.9 cm) | ☐ NA            |

**Technical Information**

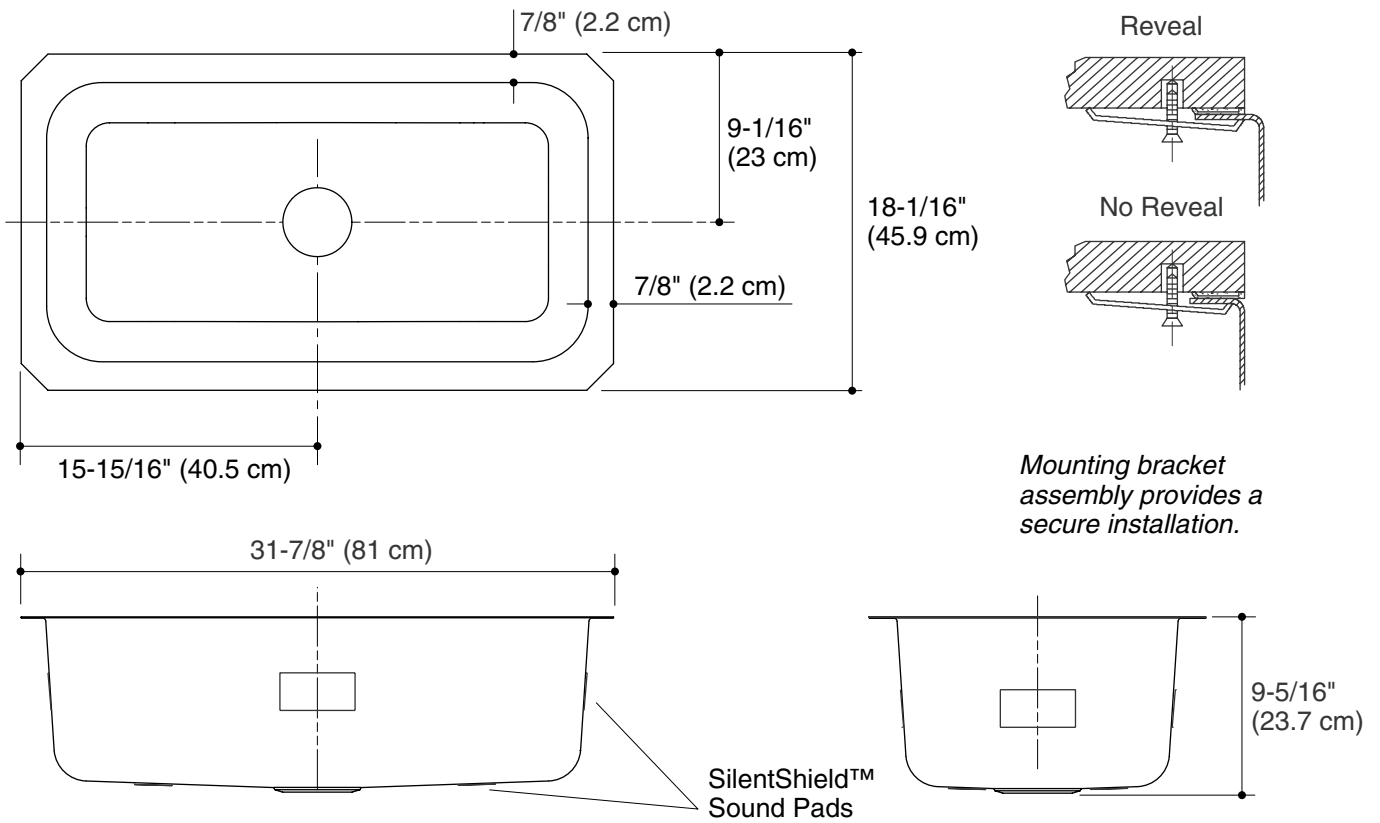
|   |                                     |
|---|-------------------------------------|
| Fixture*:                                       |                                     |
| Basin area                                      | 29-1/2" (74.9 cm) x 15-3/4" (40 cm) |
| Water depth                                     | 9" (22.9 cm)                        |
| Drain hole                                      | 3-5/8" (9.2 cm) D.                  |
| * Approximate measurements for comparison only. |                                     |

|                      |           |
|----------------------|-----------|
| Included Components: |           |
| Cut-out template     | 1062109-7 |
| Mounting hardware    | 91915     |

**Installation Notes**

Install this product according to the installation guide.

Use the supplied cut-out template to select either a hidden or exposed rim.



**Product Diagram**