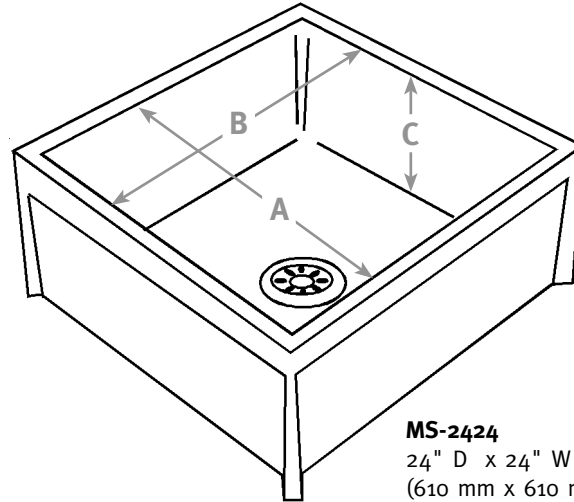


Manufactured from stone composite

WARRANTY
Limited 1-year – Residential
Limited 1-year – Commercial

FEATURES

- Manufactured from Swanstone's compression molded stone composite
- Includes a 3" IPS cast brass drain and a 3" drain seal gasket (MS-2411)
- Dome strainer and lint basket
- The most impact and stain resistant mop sink available



MS-2424
24" D x 24" W
(610 mm x 610 mm)
A 21-15/16", B 21-15/16", C 9-1/8"

SPECIFICATIONS

MS-2424 Mop Service Sink

Model	Part	Dimensions	Ship Wt. Lb.	Ship UPS	Carton Dims. In.	Cu. Ft.
MS-2424	MS02424WA.033	24" D x 24" W (610 mm x 610 mm)	49	UPS	25 x 25 x 13	4.71

Includes: One sink plus one code approved 3" IPS cast brass drain and a 3" rubber drain adapter (MS-2411).

Packaging: Packed in individual cartons.

COLORS (See pg. 139 for color sample.)

- White (010)
- Bermuda Sand (040)

ACCESSORIES

See page 115 for complete listing of all mop service sink accessories.

STANDARDS AND RATINGS

American National Standard Institute—ANSI Z124.6
International Association of Plumbing and Mechanical Officials (IAPMO)—listed
cUPC listed—Certified to CSA Standard B45 by IAPMO
American Society for Testing and Materials
National Electrical Manufacturers Association

SUPPORT DOCUMENTS

Installation instructions available on line at www.swanstone.com

MAINTENANCE AND CLEANING INFORMATION

Clean your stone composite mop service sink with powdered abrasive cleaners. Use of a Scotch-Brite pad is recommended to remove stubborn stains. Occasional use of a mild bleach and water solution ensures that the original luster is maintained.