

## High-Gloss Bathtub Wall Kit

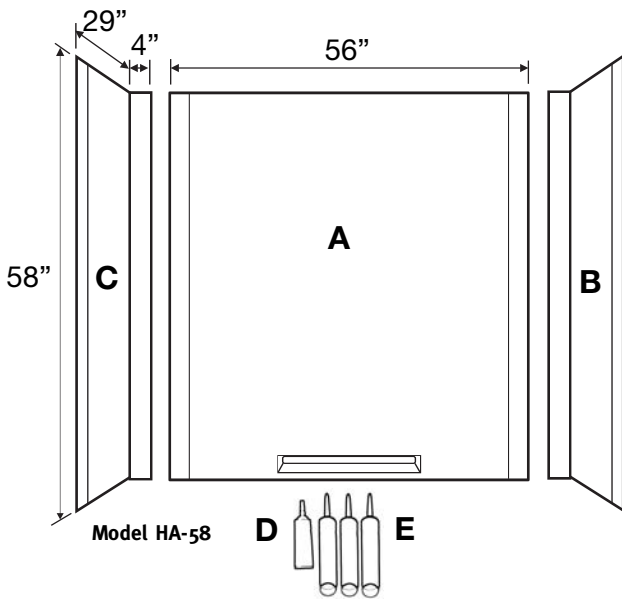
### Model RM-58

Designed for areas up to 60" wide or smaller, 29" – 30" deep

#### INCLUDED IN CARTON

- A. One back panel
- B. One right side panel
- C. One left side panel
- D. One tube of caulk
- E. Three tubes of adhesive

LIMITED **Lifetime**  
WARRANTY



## High-Gloss Bathtub Wall Kit

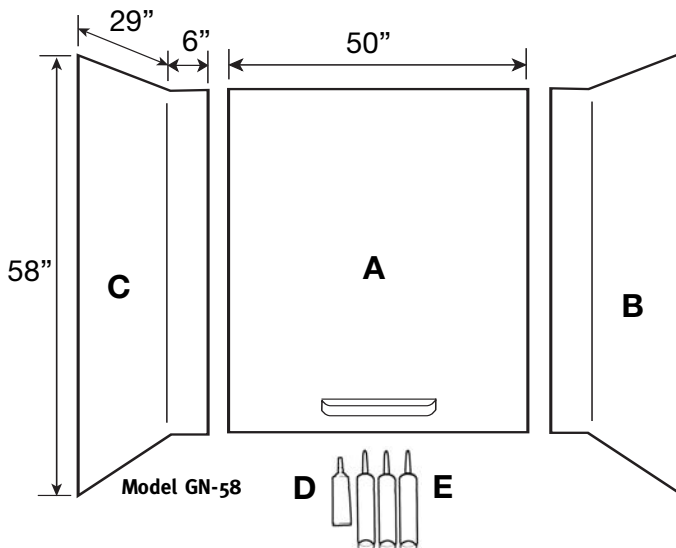
### Model HA-58

Designed for areas up to 62" wide or smaller, 29" – 30" deep

#### INCLUDED IN CARTON

- A. One back panel
- B. One right side panel
- C. One left side panel
- D. One tube of caulk
- E. Three tubes of adhesive

LIMITED **Lifetime**  
WARRANTY



## Veritek™ Natural Gloss Composite

### Bathtub Wall Kit

#### Model GN-58

Designed for areas up to 60" wide or smaller, 29" – 30" deep

#### INCLUDED IN CARTON

- A. One back panel
- B. One right side panel
- C. One left side panel
- D. One tube of caulk
- E. Three tubes of adhesive

LIMITED **Lifetime**  
WARRANTY



#### CAUTION

Read ALL instructions carefully BEFORE starting your installation. Save this manual for future reference.

## WALL SURFACE PREPARATION RECOMMENDATIONS FOR BATHTUB WALL UNITS

### When installing over SHEETROCK/GREENBOARD/WOOD:

- A.** Surface must be dry, smooth, and free of any dust, soap scum or any other contaminants. Wipe wall surface with a damp cloth.
- B.** To insure proper adhesion between the Swanstone product and Sheetrock/Greenboard/Wood, it is best to use a primer/sealer, and it is **IMPORTANT** to follow these guidelines: Oil based primer/sealers (such as Bin-Seal, or all purpose enamel paint) should **NOT** be used to cover the entire wall surface (Sheetrock/Greenboard/Wood) but only should be applied at the areas where the double-faced tape adheres to the wall surface. Water based primer/sealers (such as latex paint) **MAY** be used to cover the entire wall surface (Sheetrock/Greenboard/Wood).
- C.** After the proper primer/sealer is completely dry, complete the installation following the installation instruction sheet.

### When installing over PLASTER:

- A.** Surface must be dry, smooth and free of any dust, soap scum or any other contaminants. Wipe wall surface with a damp cloth.
- B.** The wall surface (textured/swirled finish must be sanded smooth) must be sealed with a primer (Bin-Seal or other primer/sealer).
- C.** After primer/sealer is completely dry, complete the installation following the installation sheet.

### When installing over CEMENT/CONCRETE:

- A.** Surface must be dry, smooth and free of any dust, soap scum or any other contaminants. Wipe wall surface with a damp cloth.
- B.** The complete area must be sealed with two coats of primer. (Bin-Seal or other primer/sealer).
- C.** After primer/sealer is completely dry, complete the installation following the installation sheet.

### NOTE:

- CERAMIC: LOOSE TILE MUST BE REMOVED.**
- PLASTIC: ALL TILES MUST BE REMOVED.**

### When installing over OLD TILE:

- A.** Rough up the glossy tile surface by belt sanding the wall area with 60-grit sandpaper.
- B.** Surface must be dry, smooth and free of any dust, or any other contaminants. Wipe wall surface with a damp cloth.
- C.** For proper adhesion, the wall surface must be sealed with a primer (Bin-Seal or other primer sealer).
- D.** After primer/sealer is completely dry, complete the installation following the installation sheet.

### When installing over WALL PAPER:

- A.** All wallpaper must be removed from the area to be covered. Surface must be dry, smooth and free of any dust, soap scum or any other contaminants. Wipe wall surface with a damp cloth.
- B.** The complete wall surface area to be covered by unit must be sealed with two coats of primer (Bin-Seal or other primer sealer).
- C.** After primer/sealer is completely dry, complete the installation following the installation sheet.

### When installing over MASONITE:

- A.** Surface must be dry, smooth and free of any dust, soap scum or any other contaminants. Wipe wall surface with a damp cloth.
- B.** For proper adhesion, the wall surface must be sealed with a primer (Bin-Seal or other primer sealer).
- C.** Complete the installation following the installation sheet.

## TOOLS NEEDED TO INSTALL

Saber saw, drill, ruler, caulking gun and tools needed for faucet work.

Panels mount directly to walls with furnished adhesive. Panels come with factory applied pressure sensitive tape affixed to the outside edges.

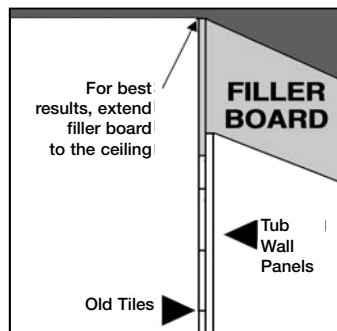
## DO NOT NAIL PANELS TO SUB WALLS

THE HOLES IN THE CORNER PANELS ARE FOR MANUFACTURING PURPOSES ONLY!

## FILLER BOARD

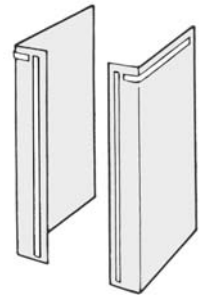
Measure the height of the tiles from the tub ledge upward. If the tiles measure less than 58", it is necessary to install a filler board. The filler board must equal the thickness of the tile. Usually, 1/4" masonite or similar material is adequate.

For best results, extend the filler board from the top tile edge to the ceiling.



## END PANELS NOTE:

Both end panels are identical except for the factory applied tape pattern on the back sides. The bottom edges, which rest on the tub, have not been taped. This will enable you to distinguish the left panel from the right.

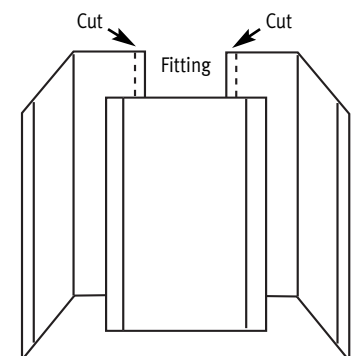


## FITTING

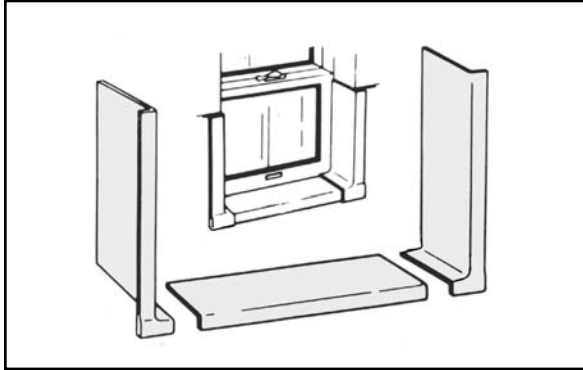
### Model RM-58 and HA-58 Only.

Before installing a TUB WALL KIT — measure the width of your back wall. TUB WALL KIT panels will extend to 62" wide. If your measurement is less than 57", it will be necessary to cut off an equal amount from each short side of both end panels to assure centering of back panel. Cut equal amounts of each side panel if area is less than 57" wide.

Cut equal amounts of each side panel if area is less than 57" wide.



# Accessories



## WINDOW TRIM KIT

### Model WTK-1

(not part of RM-58, HA-58, or GN-58 Bathtub Wall Kit — available through your dealer) This high-gloss Window Trim Kit is designed to eliminate unsightly sills, decorate and make waterproof the left and right jambs, plus provide a waterproof-natural draining sill.

**INSPECT ALL PANELS BEFORE INSTALLATION FOR DAMAGE THAT MAY HAVE OCCURRED IN HANDLING OR TRANSIT.**

**READ ALL INSTALLATION INSTRUCTIONS BEFORE STARTING.**

**TRIAL FIT PANELS PRIOR TO FINAL INSTALLATION.**

### INSTALLATION PROCEDURE:

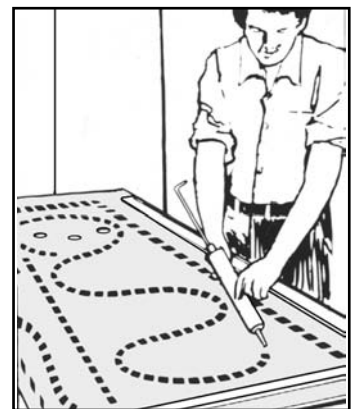
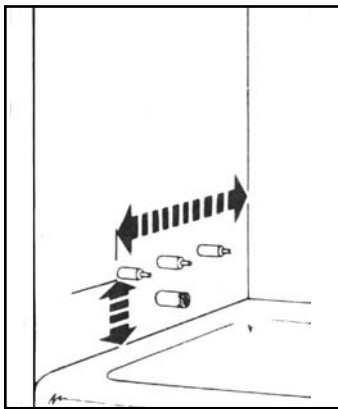
Allow panels to adjust to room temperatures (65° to 90°) for at least 6 hours.

Turn off hot and cold water supply, remove faucet handles, escutcheons, filler spouts and any fittings mounted to the wall that will be covered i.e. towel bars, soap dishes, etc.

Use hammer and chisel to remove objects cemented to walls. Old ceramic tiles, if solidly adhered to walls, may be covered with this kit and need not be removed.

Loose ceramic tiles must be removed and sub walls sanded smooth.

Front edge ceramic tiles may be reset for appearance only. See "wall surface preparation recommendations" on previous page.



#### 1. Trial Fit BEFORE YOU START.

If the end of the tub has settled, or walls are out of plumb, it may be necessary to file the bottom edge of a given panel to achieve a good fit across the top.

Measure location of plumbing outlets from the back wall forward and from the top ledge of tub upward, then mark the position on the proper end panel.

2. Use a drill and a hole cutting bit, or a hole saw. Cut holes 1/2" larger than the diameter of the pipes. Drill or cut from finished side of the end panel. For best results place scrap wood beneath hole to be cut, this will give you a clean-cut opening.

3. TRIAL FIT each end panel before proceeding. It is important that they fit properly along the top edge to maintain a watertight seal.

The back panel is slightly taller than the end panels for this reason.

4. Prepare to apply either end panel to wall. Apply adhesive to back, (follow pattern show in illustration) adding a circle of same around the drilled holes. Keep all adhesive 1" away from factory-applied tape.

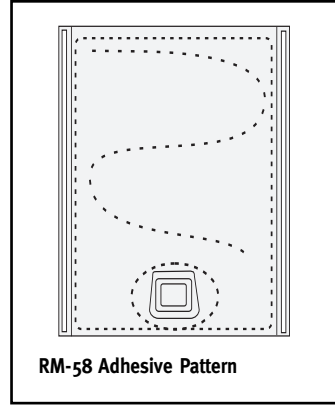
# Bathtub Wall Panel Kits



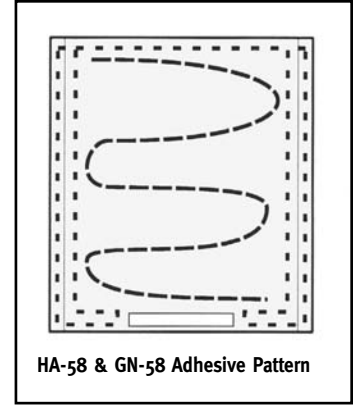
5. Grasp end panel by the edges, carefully position in the corner. Press firmly into the corner from top to bottom, then press the entire surface the same way to insure solid wall contact.



6. Next prepare the other end panel. Apply adhesive in similar pattern as show in Figure 4; position panel and press firmly into place.

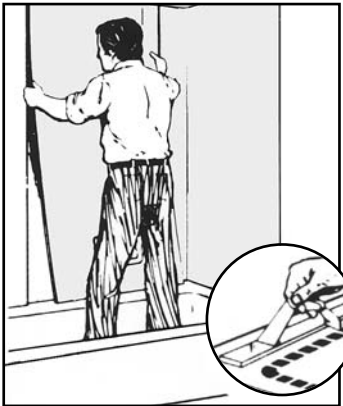


RM-58 Adhesive Pattern



HA-58 & GN-58 Adhesive Pattern

7. **NOTE:** Back panel is slightly taller than end panels. This allows overlap at the top edge. Apply adhesive around soap dish and shampoo shelf. Remember, keep all adhesive 1" away from pressure sensitive tape.



8. Grasp back panel by edges, carefully center; allow the left and right top edges to overlap the end panels. After positioning center panel, firmly press the entire panel from top to bottom making sure of solid contact.

## IMPORTANT

Please allow unit to be installed for 24 hours before using. This will allow proper curing of adhesive and caulking material.

## CAULKING

Following instructions on the caulking tube, apply a bead of caulking along bottom and top edge of center panel and end panels. The center panel's two overlapping edges and the extreme left and right front edges of the end panels may also be caulked if desired; however, it is NOT necessary.

## CARE AND CLEANING

The surface is stain and abrasion resistant; however, it requires reasonable care. Wash regularly with warm water; use soft cloth with mild liquid detergent such as Handy Andy, Mr. Clean, or Lestoil. Scouring pads made of nylon, saran or polyethylene may be used but NEVER USE ABRASIVE SCOURING POWDERS, CLEANERS OR PADS...THEY DULL THE FINISH. Protect finish with any fiberglass wax or automotive paste wax.

## CAUTION

Dry cleaning agents and solvent will damage the surface. Burning cigarettes will damage and discolor surface.