



Retrofit Shower Floors

SWANSTONE SHOWER FLOORS

With Fit-Flo Drain

Manufactured from Swanstone solid surface
(see page 2 for detailed information)

*Recommended for high use traffic areas
and commercial surfaces*

WARRANTY
Limited Lifetime – Residential
Limited 10-year – Commercial

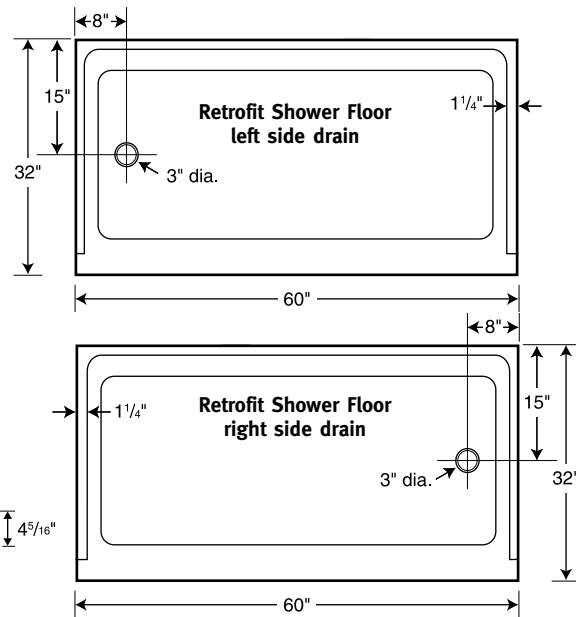
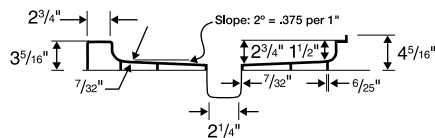
FEATURES

- Reinforced solid surface means color and texture run all the way through and cannot wear away
- Will not mold or mildew, no grout to clean
- Coordinates with Swanstone shower and bath systems
- Pebbled, slip-resistant surface
- Without expensive plumbing re-work, this floor can be installed in the same area once occupied by a standard bath tub.

Model	Nominal Size	Rough-In Dimensions			
		60"	32"	8"	15"
SR-3260L*	32" x 60"	60-3/8"	32-3/16"	8-3/16"	15-3/16"
SR-3260R**	32" x 60"	60-3/8"	32-3/16"	8-3/16"	15-3/16"

*Retrofit (left side drain) **Retrofit (right side drain)

IMPORTANT: Rough-in dimensions are provided for reference only. You must measure the actual shower floor and check local building code requirements before construction of the stud wall.



SPECIFICATIONS

Retrofit Shower Floors With Fit-Flo Drain

Model	Part	Nominal Size Dimensions	Ship Wt. Lb.	Ship UPS	Carton Dims. In.	Cu. Ft.
SR-3260L	SR03260LM	32" D x 60" W (Retrofit left drain)	59	-	66 x 37 x 10	15
SR-3260R	SR03260RM	32" D x 60" W (Retrofit right drain)	59	-	66 x 37 x 10	15

Kit Includes: One code approved compression molded Swanstone floor with molded-in Fit-Flo drain and complete installation instructions.

Packaging: Each floor packed in a rectangular carton.

STANDARDS AND RATINGS

- Class 1A fire rating
- American National Standard Institute—ANSI Z124.1.2–2005
- International Association of Plumbing and Mechanical Officials (IAPMO)—listed
- cUPC listed—Certified to CSA Standard B45 by IAPMO
- American Society for Testing and Materials
- National Electrical Manufacturers Association
- National Sanitation Foundation-NSF Splash Zone, -NSF Food Zone

For a complete list of tests and results see the Technical Data Sheet – page 129.

SUPPORT DOCUMENTS

Installation instructions available on line at www.swanstone.com

COLORS (See pg. 139 for color sample.)

- White (010)
- Bone (037)
- Bisque (018)
- Almond Galaxy (046)
- Arctic Granite (035)
- Barley (091)
- Bermuda Sand (040)
- Gray Granite (042)
- Green Pasture (095)
- Sierra (094)
- Tahiti Blue (056)
- Tahiti Desert (050)
- Tahiti Evergreen (057)
- Tahiti Gray (053)
- Tahiti Ivory (059)
- Tahiti Matrix (058)
- Tahiti Rose (052)
- Tahiti Sand (051)
- Tahiti Terra (055)
- Tahiti White (011)
- Cornflower (063)
- Ironweed (061)
- Night Sky (012)
- Purple Sage (064)
- Wild Indigo (022)
- Winter Wheat (060)
- Indian Grass (071)
- Pebble (072)
- Seafoam (074)

MAINTENANCE AND CLEANING INFORMATION

Everyday cleaning should consist of liquid cleaners such as Dow or Lysol foaming bubbles, Top Job, Mr. Clean or liquid Lysol along with a sponge. Remove hard water stains, mineral or soap build-up with scale removers such as Lime-Away. If necessary, you may use an abrasive cleaner such as Ajax or Comet with a nylon brush or pad to remove build up on the pebble surface. Do not use steel wool or a wire brush. An abrasive cleaner, brush or pad will not remove the finish because the color is molded throughout. However, it is best to avoid the higher sheen surface of the floor. Prolonged scrubbing of this area could cause it to look dull and promote soap build up.