

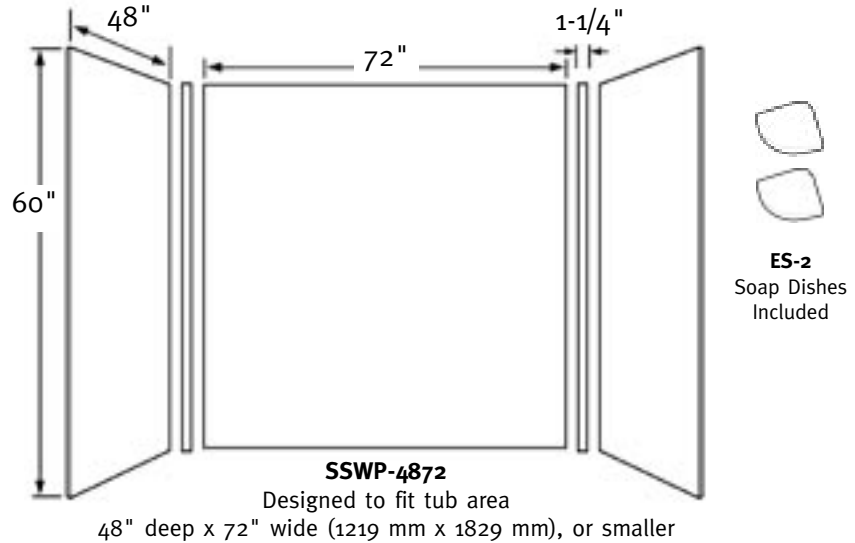
WARRANTY
 Limited Lifetime – Residential
 Limited 25-year – Commercial

Manufactured from Swanstone solid surface
 (see page 2 for detailed information)

Recommended for high use traffic areas and commercial surfaces

FEATURES

- Stunning look adds elegance to your bath
- A variety of colors to choose from to customize a bath
- Will not mold or mildew, no grout to clean
- Ideal for both remodeling projects and new construction
- Heat resistant—walls can handle steamer units
- Reinforced solid surface means color and texture run all the way through and cannot wear away
- Upgrade glue-up wall system includes a single back panel, two side panels and two corner molding strips
- Optional TK-105 trim kit available



SPECIFICATIONS

SSWP-4872 Whirlpool Tub 3-Panel Wall System

Model	Part	Tub Area Designed To Fit	Ship Wt. Lb.	Ship UPS	Carton Dims. In.	Cu. Ft.
SSWP-4872	SS04872WP	48" D x 72" W (1219 mm x 1829 mm) (or smaller)	214	-	75 x 51 x 3	6.64

Kit Includes: One flat back panel, two flat side panels, two corner moldings, two soap dishes, four tubes of adhesive, one tube of caulk, one roll of pressure sensitive tape and complete installation instructions.

Packaging: Each kit is packed in a flat, rectangular carton.
 See pages 81-82 for complete listing of all tub wall accessories.

STANDARDS AND RATINGS

- Class 1A fire rating
- National Sanitation Foundation-NSF Splash Zone, -NSF Food Zone
- American Society for Testing and Materials
- National Electrical Manufacturers Association

For a complete list of tests and results see the Technical Data Sheet – page 129.

SUPPORT DOCUMENTS

Installation instructions available on line at www.swanstone.com

COLORS (See pg. 139 for color sample.)

- White (010)
- Bone (037)
- Bisque (018)
- Almond Galaxy (046)
- Arctic Granite (035)
- Barley (091)
- Bermuda Sand (040)
- Gray Granite (042)
- Green Pasture (095)
- Sierra (094)
- Tahiti Blue (056)
- Tahiti Desert (050)
- Tahiti Evergreen (057)
- Tahiti Gray (053)
- Tahiti Ivory (059)
- Tahiti Matrix (058)
- Tahiti Rose (052)
- Tahiti Sand (051)
- Tahiti Terra (055)
- Tahiti White (011)
- Cornflower (063)
- Ironweed (061)
- Night Sky (012)
- Purple Sage (064)
- Wild Indigo (022)
- Winter Wheat (060)
- Indian Grass (071)
- Pebble (072)
- Seafoam (074)

MAINTENANCE AND CLEANING INFORMATION

Clean your Swanstone tub walls with powdered abrasive cleaners. Use of a Scotch-Brite pad is recommended to remove stubborn stains. Occasional use of a mild bleach and water solution ensures that the original luster is maintained.