

SW-7036  
and  
SW-7060

**OWNERS  
MANUAL**

**CAUTION:**

Read **ALL**  
instructions  
carefully **BEFORE**  
starting your  
installation.

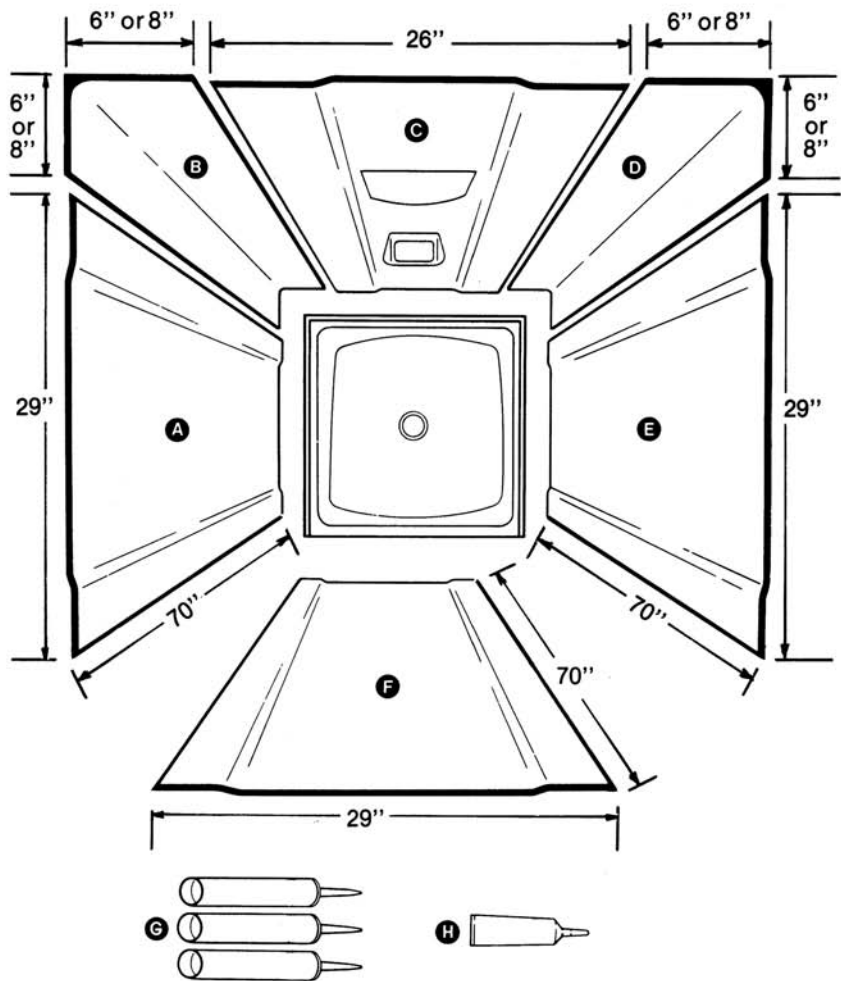
LIMITED **Lifetime**  
WARRANTY

*Save this manual for  
Future Reference.*

Installation procedures for  
**SW-7036 and SW-7060**

SW-7036 Areas 30" wide to 36" wide  
Areas 30" deep to 36" deep

SW-7060 Areas over 36" wide to 60" wide  
Areas 30" deep to 36" deep



**INCLUDED IN THE CARTON**

- |  |  |
|--|--|
| <b>A</b> One left side panel.                        | <b>E</b> One right side panel.   |
| <b>B</b> One left corner panel.                      | <b>F</b> One extension panel—<br><i>(Included with MODEL SW-7060 Only)</i> |
| <b>C</b> One back panel with soap dish<br>and shelf. | <b>G</b> Three tubes of adhesive.  |
| <b>D</b> One right corner panel.                     | <b>H</b> One tube of caulk.  |

**INSTALLATION • CARE AND CLEANING • REPAIR PARTS**

## WALL SURFACE PREPARATION RECOMMENDATIONS FOR SHOWER WALL UNITS

### When installing over SHEETROCK/GREENBOARD/WOOD:

- A. Surface must be dry, smooth, and free of any dust, soap scum or any other contaminants. Wipe wall surface with a damp cloth.
- B. To insure proper adhesion between the Swanstone product and Sheetrock/Greenboard/Wood, it is best to use a primer/sealer, and it is IMPORTANT to follow these guidelines: Oil based primer/sealers (such as Bin-Seal, or all purpose enamel paint) should NOT be used to cover the entire wall surface (Sheetrock/Greenboard/Wood) but only should be applied at the areas where the double-faced tape adheres to the wall surface. Water based primer/sealers (such as latex paint) MAY be used to cover the entire wall surface (Sheetrock/Greenboard/Wood).
- C. After the proper primer/sealer is completely dry, complete the installation following the installation instruction sheet.

### When installing over PLASTER:

- A. Surface must be dry, smooth and free of any dust, soap scum or any other contaminants. Wipe wall surface with a damp cloth.
- B. The wall surface (textured/swirled finish must be sanded smooth) must be sealed with a primer (Bin-Seal or other primer/sealer).
- C. After primer/sealer is completely dry, complete the installation following the installation sheet.

### When installing over CEMENT/CONCRETE:

- A. Surface must be dry, smooth and free of any dust, soap scum or any other contaminants. Wipe wall surface with a damp cloth.
- B. The complete area must be sealed with two coats of primer. (Bin-Seal or other primer/sealer).
- C. After primer/sealer is completely dry, complete the installation following the installation sheet.

### NOTE:

- CERAMIC: LOOSE TILE MUST BE REMOVED.
- PLASTIC: ALL TILES MUST BE REMOVED.

### When installing over OLD TILE:

- A. Rough up the glossy tile surface by belt sanding the wall area with 60-grit sandpaper.
- B. Surface must be dry, smooth and free of any dust, or any other contaminants. Wipe wall surface with a damp cloth.
- C. For proper adhesion, the wall surface must be sealed with a primer (Bin-Seal or other primer sealer).
- D. After primer/sealer is completely dry, complete the installation following the installation sheet.

### When installing over WALL PAPER:

- A. All wallpaper must be removed from the area to be covered. Surface must be dry, smooth and free of any dust, soap scum or any other contaminants. Wipe wall surface with a damp cloth.
- B. The complete wall surface area to be covered by unit must be sealed with two coats of primer (Bin-Seal or other primer sealer).
- C. After primer/sealer is completely dry, complete the installation following the installation sheet.

### When installing over MASONITE:

- A. Surface must be dry, smooth and free of any dust, soap scum or any other contaminants. Wipe wall surface with a damp cloth.
- B. For proper adhesion, the wall surface must be sealed with a primer (Bin-Seal or other primer sealer).
- C. Complete the installation following the installation sheet.

### IMPORTANT

Please allow unit to be installed for 24 hours before using.  
This will allow proper curing of adhesive and caulking material.

### CARE AND CLEANING

All panels in this kit are made of fiberglass reinforced polyester with a tough polyurethane coating. Finish is stain and abrasion resistant; however, the finish requires reasonable care.

Wash regularly with warm water, use soft cloth with mild detergent such as- Top Job, Tough Act or Ajax Liquid Cleaner.

Scouring pads made of nylon, saran or polyethylene may be used but NEVER USE ABRASIVE SCOURING POWDERS, CLEANERS OR PADS...THEY DULL FINISH.

Protect finish with any fiberglass wax or automotive paste wax.

### TOOLS REQUIRED TO INSTALL

The only tools needed are a saber saw drill, ruler, caulking gun and tools needed to remove faucet.

Panels mount direct to walls with furnished adhesive. Panels come with factory applied pressure sensitive affixed tape.

### MEASURE BEFORE YOU START

#### Measuring the side walls:

If the side wall measures less than 30" the SW-7036/BC-7036 or SW-7060 Showerwal Kit cannot be used. If the side wall measures more than 36", extension panels can be used to extend beyond the 36" depth.

#### Measuring the back wall:

If the back wall measures less than 30" the SW-7036/BC-7036 or SW-7060 Showerwal Kit cannot be used. If the back wall measures from 30" up to 36", Model SW-7036/BC-7036 should be used. If the back wall measures over 36" up to 60", Model SW-7060 should be used. Additional extension panels can be used if the back wall measures over 60".

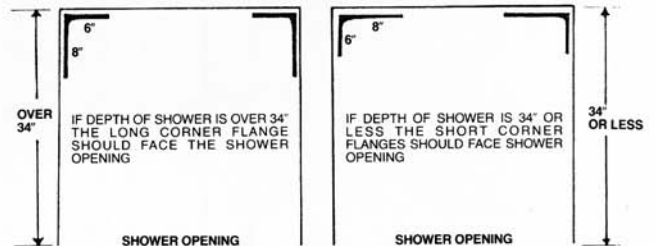
### CAUTION

Dry cleaning agents and solvents will damage the surface. Burning cigarettes will damage and discolor surface.

### CORNER PANELS

Sides of corner panels are different widths. One side is 6" wide-the other 8" wide.

### CORNER PANEL PLACEMENT



DO NOT NAIL PANELS TO SUBWALLS. THE HOLES IN THE CORNER PANELS ARE FOR MANUFACTURING PURPOSES ONLY!

### INSTALLATION PROCEDURE

Allow panels to adjust to room temperature for at least 6 hrs. (65°-90°F)

Next, turn off hot and cold water supply, remove faucet handles, escutcheons, filler spouts and any fittings mounted to wall to be covered including towel bars, soap dishes etc.

Use hammer & chisel to remove objects cemented to walls. Old ceramic tiles if adhered solidly to walls may be covered with this kit and need not be removed.

Loose tiles must be removed (sand sub walls smooth). Front edge tiles may be reset for appearance only. Remove soap film and all dirt from wall surface using detergent. Wipe dry, wall surface must be dry before panels can be applied.

After shower receptor has been installed, dry wall applied to framed in areas—proceed to complete the walled sections of shower as follows.

**TRIAL FIT BEFORE YOU START!**

If walls are out of plumb it may be necessary to file bottom edge of panels to achieve a good fit across the top. Measure location of plumbing outlets from backwall forward and from top edge of receptor upward, then mark on proper end panel.

**1** Select either left or right corner panel. . . trial fit then apply adhesive. Be sure to keep adhesive 1" away from all tape.

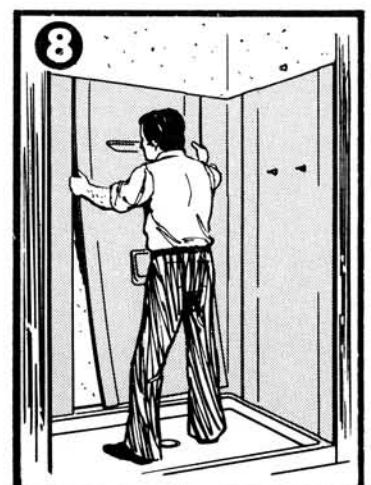
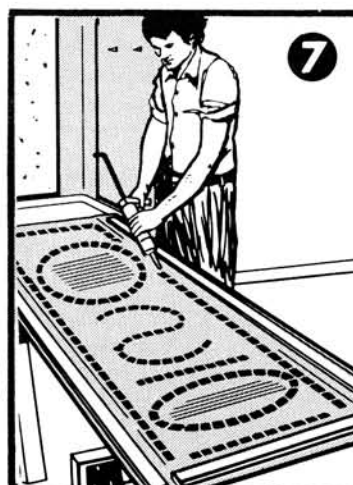
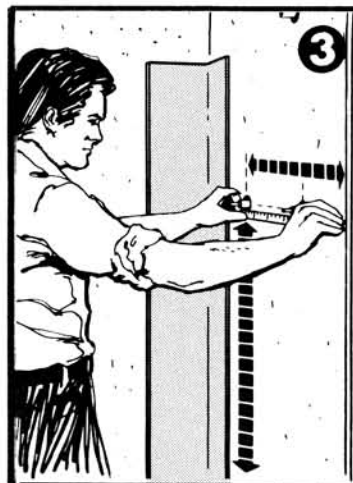
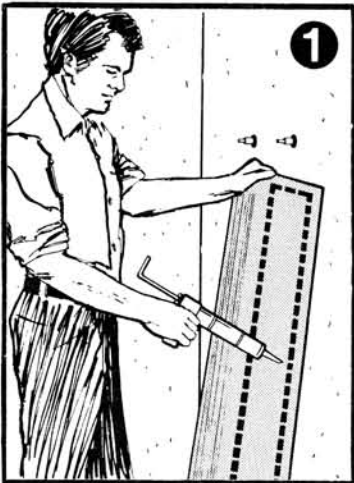
**2** Remove backing from factory applied pressure sensitive tape. For final fit carefully position corner panel. Press firmly to wall. . . moving hand pressure up and down and side to side making sure all areas make firm contact to wall. Repeat for other corner panel to be installed next.

**3** Note: Side panels A & E are NOT interchangeable. Check backs for markings-left & right (Top). Measure location of plumbing outlets from front edge of showerback and from inner edge of shower floor.

We suggest you make a template from cardboard to help position your side panel over plumbing outlets.

Transfer measurements to panel making sure (before you drill) that you have selected the correct panel.

**4** Use a drill and a hole cutting bit, or a hole saw. Cut your holes 1/2" larger than the diameter of the pipes. Drill or cut from finished side of pipes. For best results place scrap of wood beneath hole to be cut, this gives you a clean opening. Trial fit before proceeding.



**5** Apply adhesive to proper side panel with pattern suggested. Keep adhesive 1" away from factory applied pressure sensitive tape. Put extra ring of adhesive round drilled holes.

**6** Remove backing from factory applied pressure sensitive tape. Grasp side panels by the edges, carefully position by **overlapping** the corner panel. Press firmly from top to bottom, then press the entire surface the same way to insure solid wall contact.

**7** NOTE: for showers 36" or less in width, install center panel at this time by the following procedure.

For showers over 36" in width, skip this section of installation procedures at this time and go to section on **EXTENSION PANELS**. (next page)

Back panel is slightly taller than the two corner panels. . .allowing for overlap of the top edge. Trial fit, then apply adhesive, following pattern in illustration and add extra circle around soap dish and shampoo shelf.

**8** Remove backing from factory applied pressure sensitive tape. Grasp back panel by edges, carefully center, allow the left and right top edges to **overlap** the corner panels. After positioning back panel, firmly press the entire panel from top to bottom making sure of solid contact.

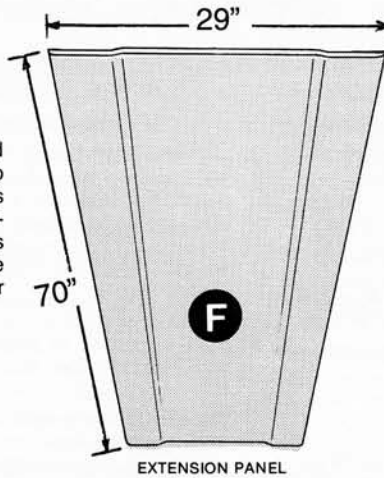
## EXTENSION PANEL—FOR MODEL SW-7060 ONLY

**9** Measure distance of uncovered wall between the edges of the two corner panels. Deduct 23 inches from this figure to determine minimum length of extension panel, this allows for 1" overlaps on both the extension panel and the center panel.

**EXAMPLE:**

**36" width of uncovered wall**  
**-23" allows 1" overlaps.**

**13" minimum width of extension panel**



**FOR SHOWERS OVER 36" WIDE**  
**NOTE:** The extension panel is the same size as the side panels, only it has two overlapping edges and no front edge. It is clearly marked on the back.

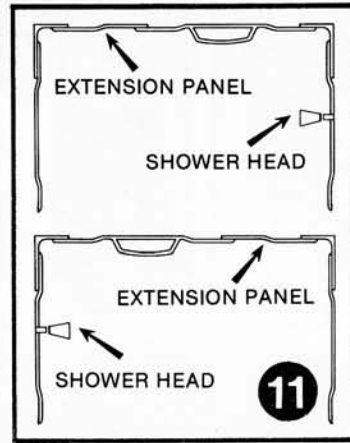
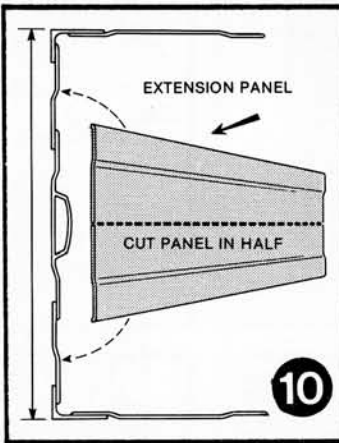
The Showerwal extension panel is used to extend the panel system beyond 36" in either depth or width. One extension panel is packaged with each Model 7060 to allow widths up to 60". Additional extension panels are available, separately packaged, for larger areas.

**CAUTION: DO NOT CUT PANEL TO WIDTHS LESS THAN 6 INCHES!**

*If uncovered area measures 29 inches or less, cut panel to 6 inches width only.*

**10** If uncovered area measures 47" up to 51", it is necessary to cut the extension panel in half and place each half on either side of the area covered by back panel.

**11** The extension panel should be placed at the opposite end of the shower from the showerhead to allow for easiest access to soapdish and shampoo shelf.



**12** Measure in from right or left hand edge depending on location of outlets and mark. Cut with saber saw.

**13** Trial fit in the cut panel and make certain there are no more than 24" of uncovered wall left for the back panel.

Apply adhesive to the back panel. Carefully line up panel, making certain of the overlap at the top edge and at least one inch down the panel. Final fit by pressing the panel firmly into place.

**14** Apply back panel as outlined in steps 7 and 8 on previous page. Press panel firmly into place to complete job.