

Manufactured from Swan High-Gloss  
(see page 2 for detailed information)

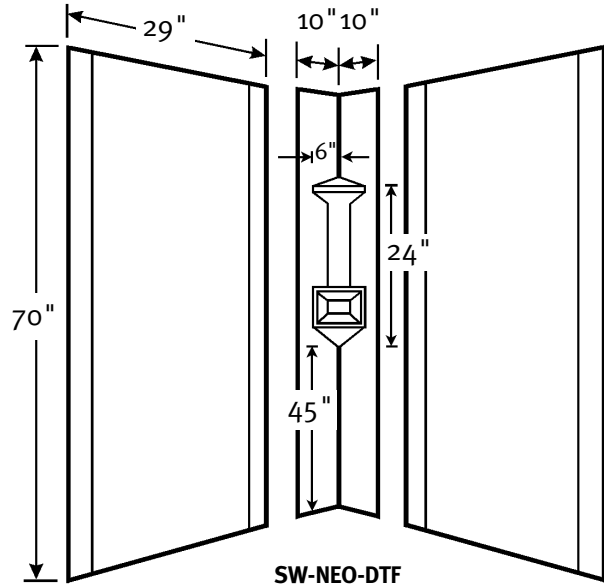
WARRANTY  
Limited Lifetime – Residential  
Limited 5-year – Commercial

**FEATURES**

- Ultra-bright, glossy surface comes from durable, baked-on finish
- Includes all materials needed for installation
- The SW-NEO-DTF is a glue-up 3-piece shower wall panel system
- Compression molded

**SW-NEO-DTF**

Designed to fit wall areas  
35-1/2" x 35-1/2" to 38" x 38" x 70" high  
(902 mm x 902 mm to 965 mm x 965 mm x 1778 mm)



**SPECIFICATIONS**

**SW-NEO-DTF High-Gloss NEO-Angle & Double Threshold**

| Model      | Part      | Wall Area Designed To Fit  | Ship Wt. Lb. | Ship UPS | Carton Dims. In. | Cu. Ft. |
|------------|-----------|--|--------------|----------|------------------|---------|
| SW-NEO-DTF | NE00000SW | 35-1/2" D x 35-1/2" W to 38" D x 38" W x 70" H<br>(902 mm x 902 mm to 965 mm x 965 mm x 1778 mm) | 42           | -        | 72 x 31 x 9      | 11.63   |

Kit Includes: One back panel with shelves, two flat side panels, one roll of pressure sensitive tape, three tubes of adhesive, one tube of caulk and complete installation instructions.

Packaging: Each kit is packed in a flat, rectangular carton.

**ACCESSORIES**

See page 55 for complete listing of all shower wall accessories.

**STANDARDS AND RATINGS**

Class B fire rating  
American Society for Testing and Materials  
National Electrical Manufacturers Association

**SUPPORT DOCUMENTS**

Installation instructions available on line at [www.swanstone.com](http://www.swanstone.com)

**COLORS** (See pg. 139 for color sample.)

- White (010)
- Bone (037)
- Bisque (018)

**MAINTENANCE AND CLEANING INFORMATION**

*Warning: Do not use abrasives as it will dull the glossy finish!* This product is made of Swanstone with a gloss finish. While it is stain resistant, it requires regular and reasonable care. Wash regularly with warm water and a non-abrasive cleaner such as Soft Scrub Liquid Gel with bleach (without abrasives), Clorox Clean-up with bleach, Top Job or Mr. Clean. Remove hard water stains or mineral build up with scale removers such as Lime-Away.

*Do not use harsh cleansers or abrasives* such as scouring powders, abrasive cleansers or scouring pads. Abrasives will dull the finish. Protect the finish with fiberglass wax or automotive paste wax.