

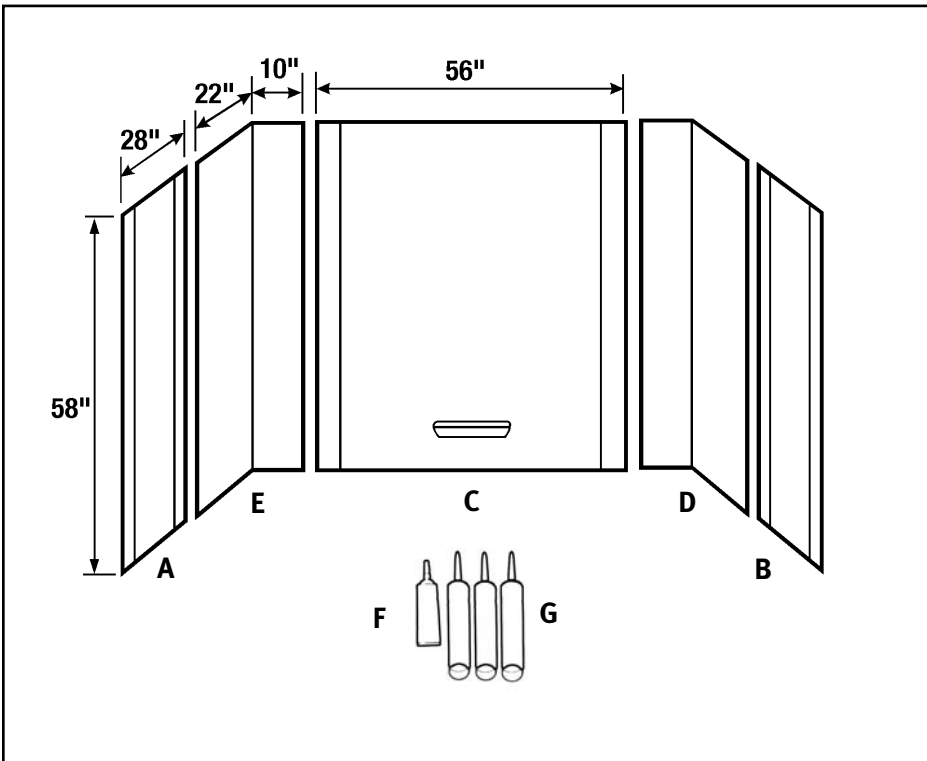
High-Gloss Bathtub Wall Kit

Model No. TW-32

Designed for areas 57" to 62" wide,
29" to 32" deep

INCLUDED IN CARTON:

- A. One left side panel
- B. One left corner panel with soap dish
- C. One back panel with soap dish
- D. One right corner panel with soap dish
- E. One right side panel
- F. One left side apron strip
- G. One right side apron strip
- H. Three tubes of adhesive
- I. One tube of caulk



High-Gloss Bathtub Wall Kit

Model No. WW-6000

Designed for areas 58" to 72" wide,
29" to 48" deep

INCLUDED IN CARTON:

- A. One left-hand end panel
- B. One right-hand end panel
- C. One back panel with soap dish
- D. One right-hand corner panel
- E. One left-hand corner panel
- F. One tube of caulk
- G. Three tubes of adhesive

CAUTION

Read ALL instructions carefully BEFORE starting your installation. Save this manual for future reference.

WALL SURFACE PREPARATION RECOMMENDATIONS FOR BATHTUB WALL UNITS

When installing over SHEETROCK/GREENBOARD/WOOD:

- A.** Surface must be dry, smooth, and free of any dust, soap scum or any other contaminants. Wipe wall surface with a damp cloth.
- B.** To insure proper adhesion between the Swanstone product and Sheetrock/Greenboard/Wood, it is best to use a primer/sealer, and it is IMPORTANT to follow these guidelines: Oil based primer/sealers (such as Bin-Seal, or all purpose enamel paint) should NOT be used to cover the entire wall surface (Sheetrock/Greenboard/Wood) but only should be applied at the areas where the double-faced tape adheres to the wall surface. Water based primer/sealers (such as latex paint) MAY be used to cover the entire wall surface (Sheetrock/Greenboard/Wood).
- C.** After the proper primer/sealer is completely dry, complete the installation following the installation instruction sheet.

When installing over PLASTER:

- A.** Surface must be dry, smooth and free of any dust, soap scum or any other contaminants. Wipe wall surface with a damp cloth.
- B.** The wall surface (textured/swirled finish must be sanded smooth) must be sealed with a primer (Bin-Seal or other primer/sealer).
- C.** After primer/sealer is completely dry, complete the installation following the installation sheet.

When installing over CEMENT/CONCRETE:

- A.** Surface must be dry, smooth and free of any dust, soap scum or any other contaminants. Wipe wall surface with a damp cloth.
- B.** The complete area must be sealed with two coats of primer. (Bin-Seal or other primer/sealer).
- C.** After primer/sealer is completely dry, complete the installation following the installation sheet.

NOTE:

- CERAMIC: LOOSE TILE MUST BE REMOVED.**
- PLASTIC: ALL TILES MUST BE REMOVED.**

When installing over OLD TILE:

- A.** Rough up the glossy tile surface by belt sanding the wall area with 60-grit sandpaper.
- B.** Surface must be dry, smooth and free of any dust, or any other contaminants. Wipe wall surface with a damp cloth.
- C.** For proper adhesion, the wall surface must be sealed with a primer (Bin-Seal or other primer sealer).
- D.** After primer/sealer is completely dry, complete the installation following the installation sheet.

When installing over WALL PAPER:

- A.** All wallpaper must be removed from the area to be covered. Surface must be dry, smooth and free of any dust, soap scum or any other contaminants. Wipe wall surface with a damp cloth.
- B.** The complete wall surface area to be covered by unit must be sealed with two coats of primer (Bin-Seal or other primer sealer).
- C.** After primer/sealer is completely dry, complete the installation following the installation sheet.

When installing over MASONITE:

- A.** Surface must be dry, smooth and free of any dust, soap scum or any other contaminants. Wipe wall surface with a damp cloth.
- B.** For proper adhesion, the wall surface must be sealed with a primer (Bin-Seal or other primer sealer).
- C.** Complete the installation following the installation sheet.

TOOLS NEEDED TO INSTALL

Saber saw, drill, ruler, caulking gun and tools needed for faucet work.

Panels mount directly to walls with furnished adhesive. Panels come with factory applied pressure sensitive tape affixed to the outside edges.

DO NOT NAIL PANELS TO SUBWALLS.

THE HOLES IN THE CORNER PANELS ARE FOR MANUFACTURING PURPOSES ONLY!

MEASURE BEFORE YOU START

Model TW-32

Measuring the sidewalls: If the depth of the sidewalls is less than 29", you cannot use Model TW-32. If the depth of the sidewall is over 32", extension panels will be necessary.

Measuring the back wall: Measure the width of the back wall. If it measures less than 57", you cannot use Model TW-32. If over 62", extension panels are available.

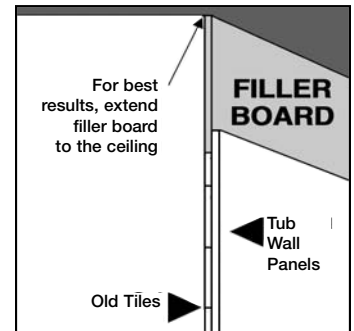
Model WW-6000

Measuring the sidewalls: If the depth of the sidewalls is less than 29" you cannot use Model WW-6000. If the depth of the sidewall is over 48", extension panels will be necessary.

Measure the back wall: If it measures less than 58", you cannot use Model WW-6000. If over 72", extension panels are available.

FILLER BOARD

Measure the height of the tiles from the tub ledge upward. If the tiles measure less than 58", it is necessary to install a filler board. The filler board must equal the thickness of the tile. Usually, 1/4" masonite or similar material is adequate. For best results, extend the filler board from the top tile edge to the ceiling.



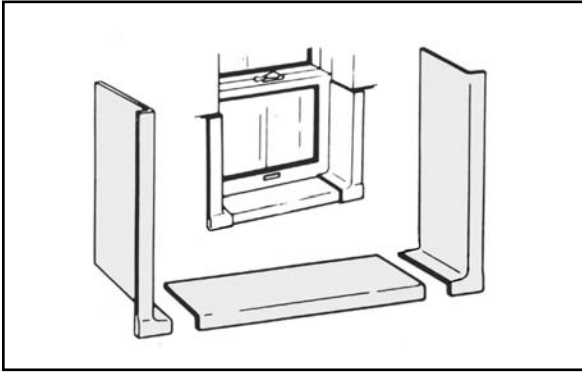
IMPORTANT TRIAL FITTING PROCEDURE WW-6000

The back and sidewalls of the WW-6000 are designed to overlap the corner panels. However, to achieve proper fit the overlap of the back or side panel over the corner panels cannot exceed three (3") inches. Therefore, it is likely that some cutting of the corner panels will be required. We recommend that all cuts be performed with a saber saw from the facing side of the corner panel.

The following chart contains the most common back and sidewall dimensions. Measure and trial fit corner panel before and after cutting.

Width of Back Wall	Cut from Short End of Corner Panel	Depth of Side Wall	Cut from Long End of Corner Panel
72"	0	48	0
66	3"	46"	2"
60"	6"	42"	6"
		36"	12"
		32"	16"

Accessories



WINDOW TRIM KIT

Model WTK-1

(not part of TW-32 or WW-6000 TUB WALL KIT – available through your dealer) This high-gloss Window Trim Kit is designed to eliminate unsightly sills, decorate and make waterproof the left and right jambs, plus provide a water-proof-natural draining sill.

READ ALL INSTALLATION INSTRUCTIONS BEFORE STARTING. TRIAL FIT PANELS PRIOR TO FINAL INSTALLATION.

INSTALLATION PROCEDURE:

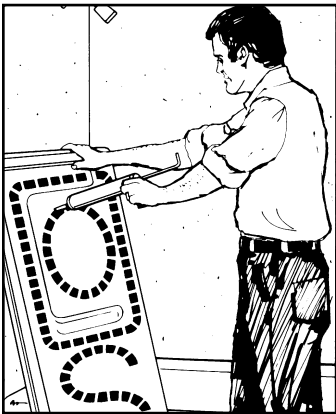
Allow panels to adjust to room temperatures (65° to 90°) for at least 6 hours.

Turn off hot and cold water supply, remove faucet handles, escutcheons, filler spouts and any fittings mounted to the wall that will be covered i.e. towel bars, soap dishes, etc.

Use hammer and chisel to remove objects cemented to walls. Old ceramic tiles, if solidly adhered to walls, may be covered with this kit and need not be removed.

Loose ceramic tiles must be removed and sub walls sanded smooth.

Front edge ceramic tiles may be reset for appearance only. See “wall surface preparation recommendations” on previous page..



1. Corner Panels

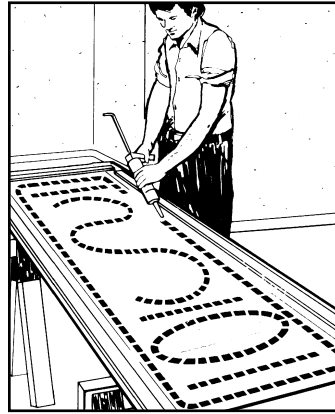
If the tub has settled, or walls are out of plumb, it may be necessary to file the bottom edge of a given panel to achieve a good fit across the top.

Select either left or right corner panel (to identify the TW-32 right or left, place the soap dish against the back wall). Apply the adhesive to the back of the panel, keeping the adhesive at least one inch from the tape and panel edges.



2.

For final fit, remove the backing from the pressure sensitive tape and carefully position corner panel. Press firmly to wall...moving hand pressure up and down and side to side, making sure all areas make firm contact to wall. Repeat steps 1 and 2 for installation of the other corner panel.



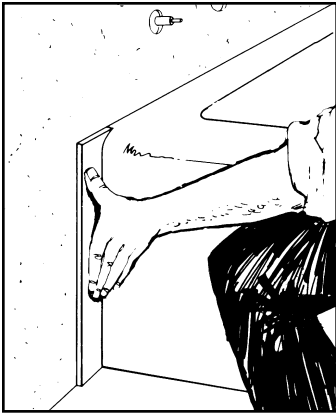
3. Back Panel

Back panel is slightly taller than the two corner panels, allowing for overlap of the top edge. Trial fit, then apply adhesive following pattern in illustration and add an extra circle around soap dish.



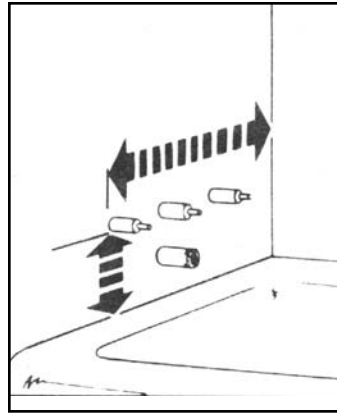
4.

Remove the backing from the pressure sensitive tape and carefully center panel with the bottom edge resting on the top edge of the tub. Firmly press the entire panel from top to bottom, making sure of a solid contact.



5. Apron Strips TW-32 Only

If the distance from back wall to front edge of apron is more than 31-1/2", the apron strips will not line up with the side wall, and must be cut down or discarded if a straight line from floor to top of the side panel is desired.

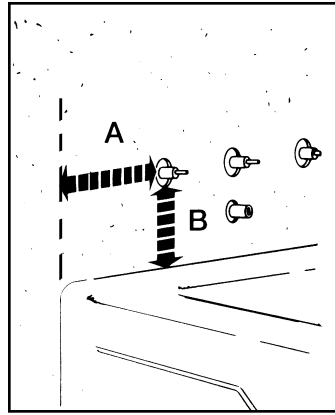


6A. Side Panels TW-32 Only

Note: Side panels for Model TW-32, A and E, are not interchangeable. Check backs for markings left and right.

Measure location of plumbing outlets from a line straight up from front edge of apron strips (or tub, if strips are not used) and height above top ledge of the tub. We suggest you make a template from cardboard to help position your side panel over plumbing outlets.

Transfer measurements to panel making sure (before you drill) that you have selected the correct panel.



6B. Side Panels WW-6000 Only

Measure location of plumbing outlets from the front edge of the tub (A) and up from the top of the tub (B). We suggest you make a template from cardboard to help position your side panel over plumbing outlets.

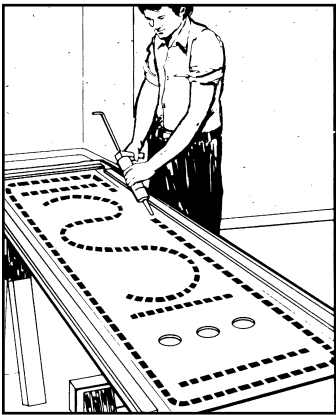
Transfer measurements to panel making sure (before you drill) that you have selected the correct panel.



7. Trial fit before proceeding.

Use a drill and a hole-cutting bit, or a hole saw, to cut your holes 1/2" larger than the diameter of the pipes. Drill or cut from the finished side of panel.

For best results, place a scrap of wood beneath hole to be cut. This gives you a clean opening.



8.

Apply adhesive to proper side panel with pattern suggested. Keep adhesive 1" away from factory applied pressure sensitive tape. Put an extra ring of adhesive around drilled holes.

Remove the backing from the factory applied pressure sensitive tape.



9.

Carefully line up front edge of panel with front edge of apron strip (or tub, if strips are not used) with bottom edge resting on the top ledge of the tub. Press firmly starting from bottom and continuing up to insure solid wall contact.

CAULKING

Following instructions on the caulking tube...apply a bead of caulking along the bottom and top edge of the back panel, side panels and corner panels. The center panel's two lapping edges and the two overlapping edges of the side panels may also be caulked, if desired, however, it is NOT necessary.

CARE AND CLEANING

The surface is stain and abrasion resistant, however it requires reasonable care. Wash regularly with warm water; use soft cloth with mild liquid detergent such as Handy Andy, Mr. Clean or Lestoil. Scouring pads made of nylon, saran or polyethylene may be used but NEVER USE ABRASIVE SCOURING POWDERS, CLEANERS OR PADS...THEY DULL THE FINISH. Protect finish with any fiberglass wax or automotive paste wax.

CAUTION: Dry cleaning agents and solvent will damage the surface. Burning cigarettes will damage and discolor surface.