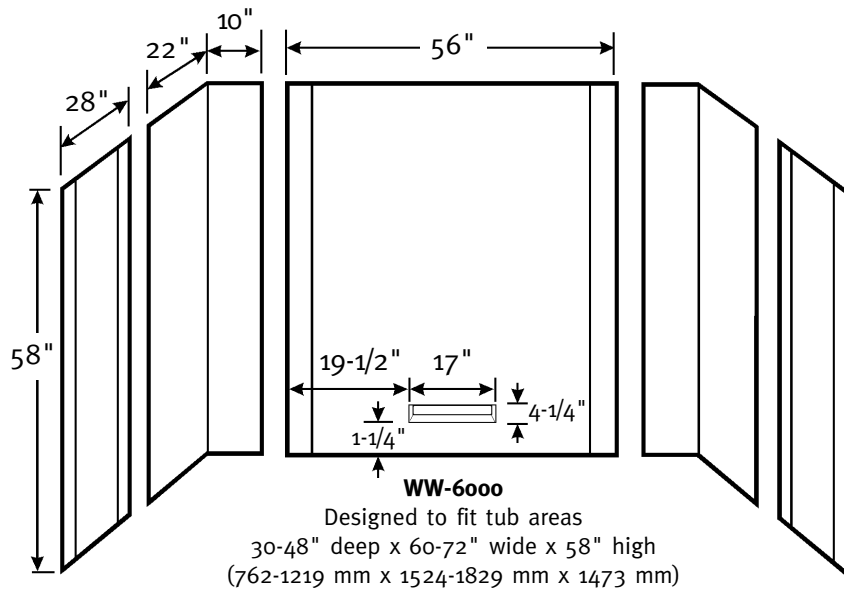


WARRANTY
 Limited Lifetime – Residential
 Limited 5-year – Commercial

Manufactured from Swanstone High-Gloss
 (see page 2 for detailed information)

FEATURES

- Will not mold or mildew, no grout to clean
- Ideal for both remodeling projects and new construction
- Ultra-bright, glossy surface comes from durable, baked-on finish
- A variety of colors to choose from to customize a bath
- Designed especially for whirlpool tubs
- Durable high-gloss walls will not leak or mildew
- The WW-6000 is a glue-up 5-piece compression molded unit with a high-gloss, smooth surface
- Patented design keeps shower head spray from aiming at seams



SPECIFICATIONS

WW-6000 High-Gloss 5-Panel Tub Wall

Model	Part	Tub Area Designed To Fit	Ship Wt. Lb.	Ship UPS	Carton Dims. In.	Cu. Ft.
WW-6000	WW6000	30-48" D x 60-72" W x 58" H (762-1219 mm x 1524-1829 mm x 1473 mm)	91	-	61 x 60 x 11	23.30

Kit Includes: One center panel with molded-in soap dish, two right angle corner panels, two side panels, one roll of pressure sensitive tape, three tubes of adhesive, one tube of color coordinated caulk and complete installation instructions.

Packaging: Each kit is packed in a flat, rectangular carton.
 See page 55 for complete listing of all tub wall accessories.

STANDARDS AND RATINGS

Class B fire rating
 American Society for Testing and Materials
 National Electrical Manufacturers Association

SUPPORT DOCUMENTS

Installation instructions available on line at www.swanstone.com

COLORS (See pg. 139 for color sample.)

- White (010)
- Bone (037)
- Bisque (018)

MAINTENANCE AND CLEANING INFORMATION

The surface is stain and abrasion resistant, however it requires reasonable care. Wash regularly with warm water; use a soft cloth with a mild liquid detergent such as Handy Andy, Mr. Clean or Lestoil. Scouring pads made of nylon, saran or polyethylene may be used but *never* use abrasive scouring powders, cleaners or pads...they dull the finish. Protect finish with any fiberglass wax or automotive paste wax.