



T&S BRASS AND BRONZE WORKS, INC.

2 Saddleback Cove / P.O. Box 1088
Travelers Rest, SC 29690



REG. #A2601
ISO #9001

Model No.

B-0598

Item No.

Travelers Rest, SC: 800-476-4103 • Simi Valley, CA: 800-423-0150 • Fax: 864-834-3518 • www.tsbrass.com

This Space for Architect/Engineer Approval

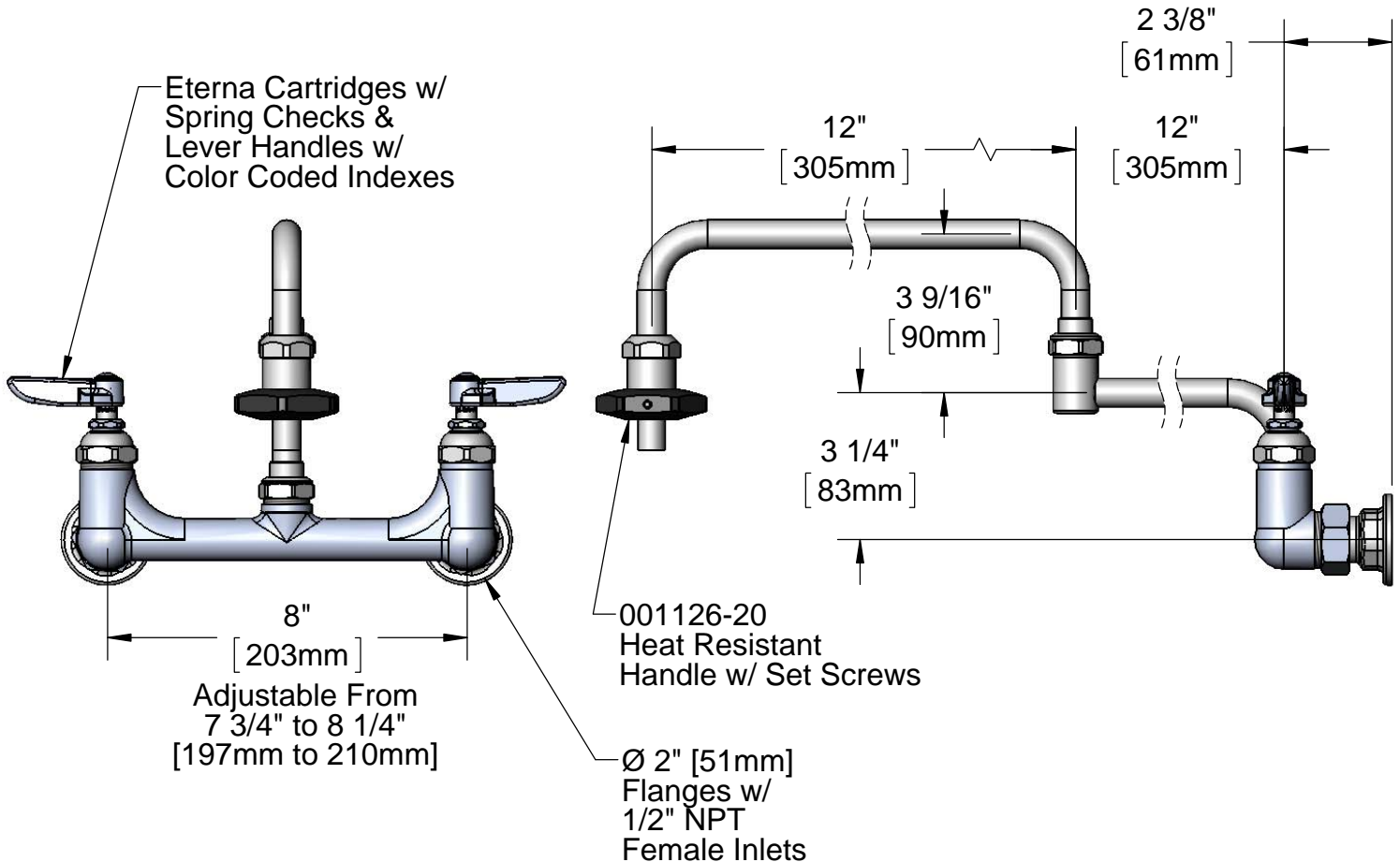
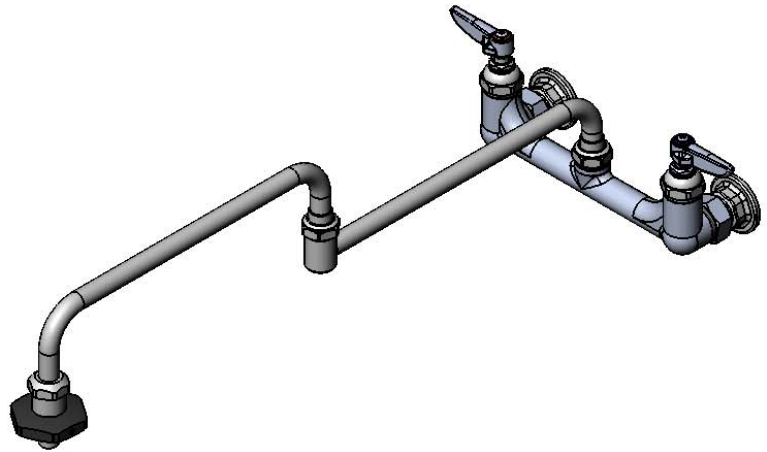
Job Name _____ Date _____

Model Specified _____ Quantity _____

Customer/Wholesaler _____

Contractor _____

Architect/Engineer _____



Product Specifications:

Pot Filler Mixing Faucet, Lever Handles, 24" Double Joint Nozzle w/ Heat Resistant Outlet Handle, 8" Centers Inlet & 1/2" NPT Female Inlets

Drawn

DHL

Checked

KJG

Approved

JHB

Scale:

1:4

Date:

07/01/11



T&S BRASS AND BRONZE WORKS, INC.

2 Saddleback Cove / P.O. Box 1088
Travelers Rest, SC 29690



REG. #A2601
ISO #9001

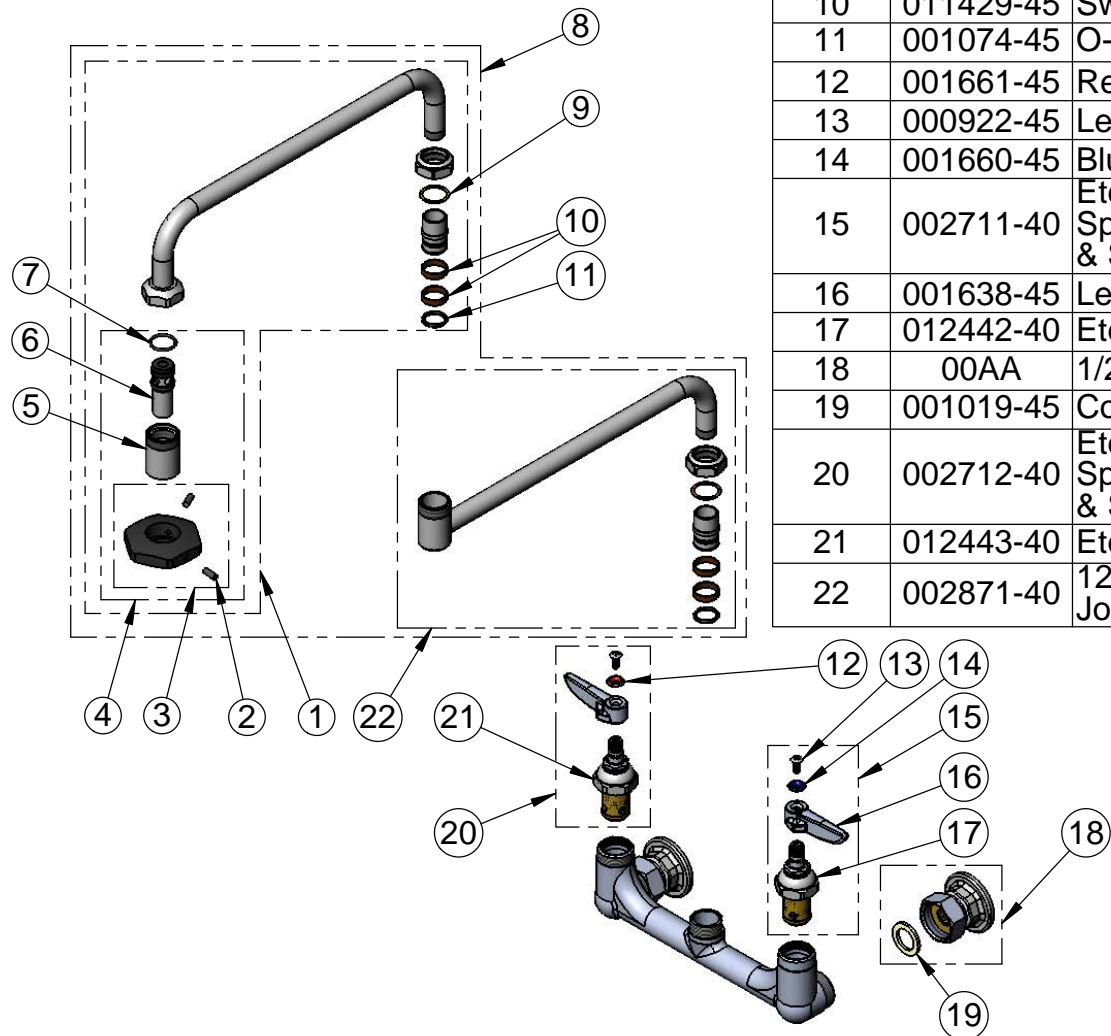
Model No.

B-0598

Item No.

Travelers Rest, SC: 800-476-4103 • Simi Valley, CA: 800-423-0150 • Fax: 864-834-3518 • www.tsbrass.com

ITEM NO.	SALES NO.	DESCRIPTION
1	002869-40	12" Front Section, Double Joint Nozzle Assembly
2	000936-45	Handle Set Screw
3	001126-20	Handle w/ (2) Set Screws
4	035A	Outlet Assembly
5	000587-25	Spout Body
6	001498-25	Spout
7	003426-45	O-Ring
8	002872-40	24" Double Joint Nozzlen Assembly
9	009538-45	Swivel Washer
10	011429-45	Swivel Sleeves (2)
11	001074-45	O-Ring
12	001661-45	Red Index-HW
13	000922-45	Lever Handle Screw
14	001660-45	Blue Index-CW
15	002711-40	Eterna Cartridge LTC w/ Spring Check, Handle, Index & Screw
16	001638-45	Lever Handle
17	012442-40	Eterna Cartridge - LTC
18	00AA	1/2" NPT Wall Flange Inlet
19	001019-45	Coupling Nut Washer
20	002712-40	Eterna Cartridge RTC w/ Spring Check, Handle, Index & Screw
21	012443-40	Eterna Cartridge - RTC
22	002871-40	12" Back Section, Double Joint Nozzle Assembly



Product Specifications:
 Pot Filler Mixing Faucet, Lever Handles, 24" Double Joint Nozzle
 w/ Heat Resistant Outlet Handle, 8" Centers Inlet & 1/2" NPT
 Female Inlets

Drawn DHL	Checked KJG	Approved JHB
Scale: NTS		Date: 07/01/11