



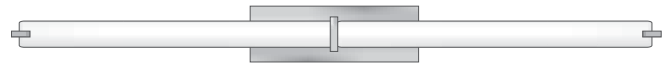
BATH COLLECTION

GENERAL PRODUCT INFORMATION:



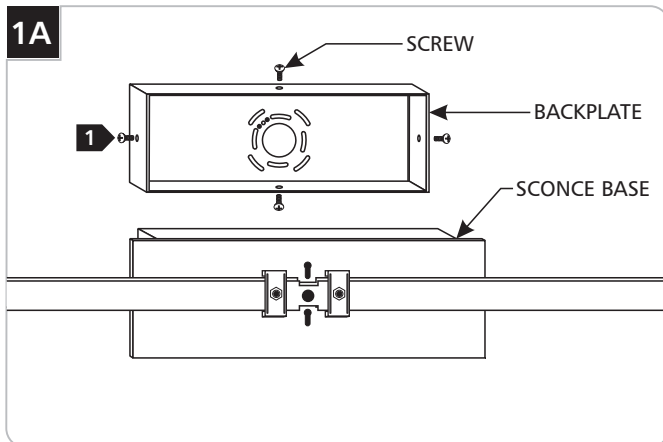
This product can be installed vertically or horizontally to either a 4" square electrical box with round plaster ring or an octagon electrical box.

Model numbers ending in "-CFD" or "-CFD277" are equipped with a dimmable ballast. Consult your dimmer manufacturer for dimmers compatible with Advance® Mark 10™ Powerline 2-wire line-voltage dimming ballasts.

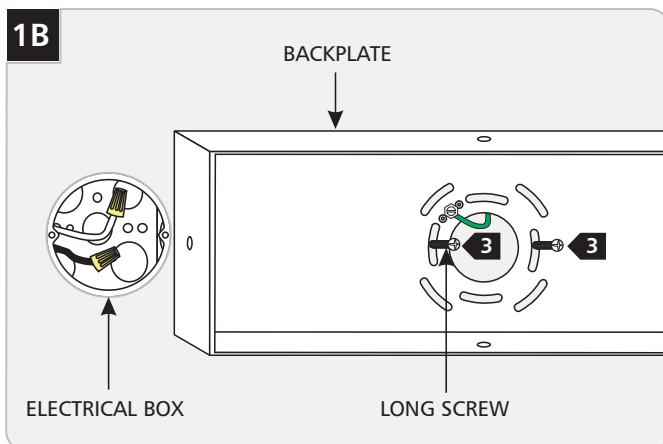


CAUTION—RISK OF FIRE
 This product requires installation by a qualified electrician. Before installing be sure to read all instructions and **DISCONNECT POWER TO THE ELECTRICAL BOX.**

Install the Backplate

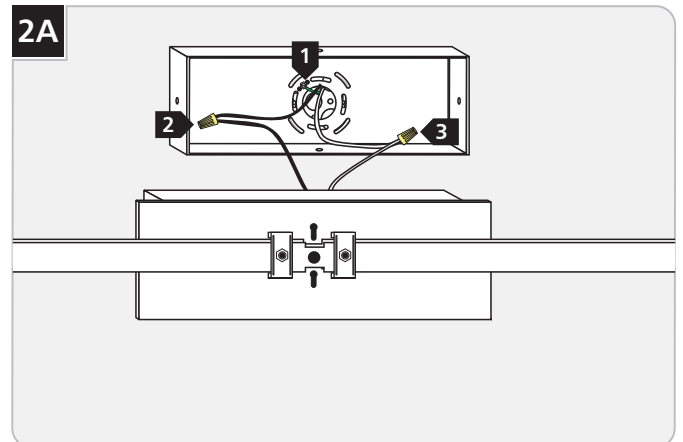


- 1 Remove the four screws on the backplate with a screwdriver.
- 2 Remove the backplate from the sconce base.



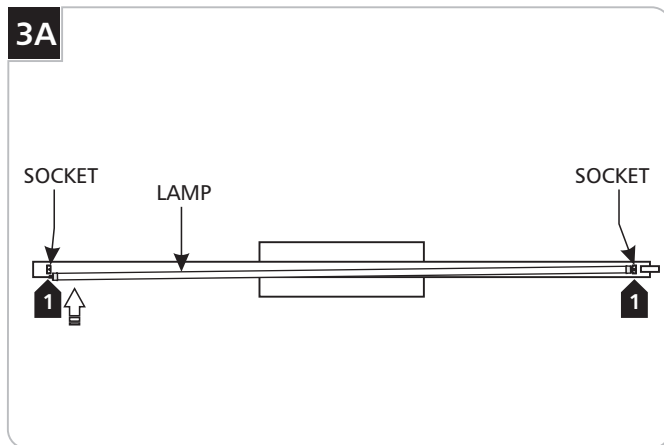
- 3 Mount the backplate to the electrical box with two long #8-32 screws.

Connect the Power



- 1 Connect the bare copper wire to a suitable ground according to local electrical codes.
- 2 Connect the ballast fixture wire to the hot power line wire with a wire nut.
- 3 Connect the white ballast wire to the neutral power line wire with a wire nut.
- 4 Properly place all wires into the backplate.
- 5 Place the sconce base onto the backplate and reinstall all four screws (see figure 1A).

Install the Lamp

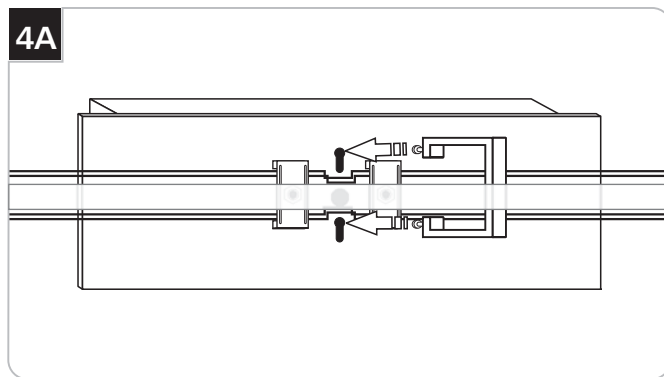


Use **MAX 54 Watt** type T5 high output linear fluorescent lamp.

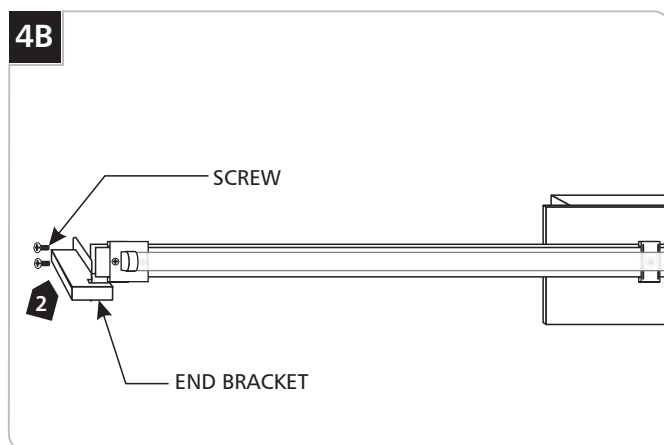


- 1 Insert the lamp pins into the sockets and rotate the lamp to lock it in place.

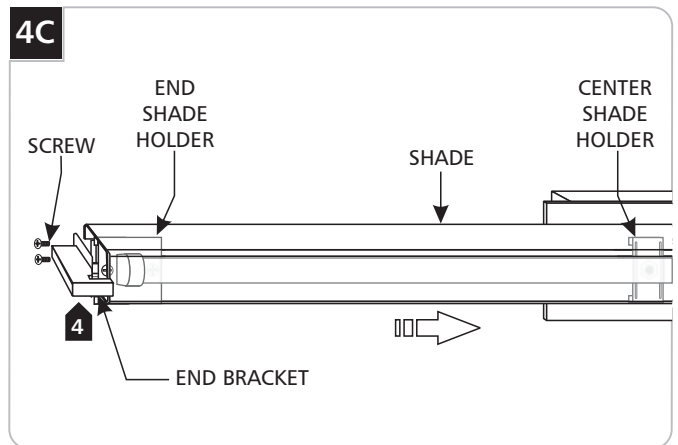
Assemble the Fixture



- 1 Insert the center bracket by aligning the pins to the slotted holes and sliding it into the locked position.



- 2 Remove the two screws on one end of the fixture and remove the end bracket.



- 3 Slide one shade onto the center shade holders and all the way through until it contacts the opposite end bracket.
- 4 Slide the other shade onto the center shade holder. Secure them by reattaching the end brackets and screws for both ends.

NOTE: If room permits, the lamp may be replaced by sliding it through the center bracket then installed when the shades are off. When room is limited then the center bracket must be temporarily removed and reinstalled following figure 4A.

SAVE THESE INSTRUCTIONS!



TECH LIGHTING®

7400 Linder Ave, Skokie, IL 60077

847.410.4400

www.techlighting.com

© 2012 Tech Lighting, L.L.C. All rights reserved. The "Tech Lighting" graphic is a registered trademark of Tech Lighting, L.L.C. Tech Lighting reserves the right to change specifications for product improvements without notification.

A Generation Brands Company