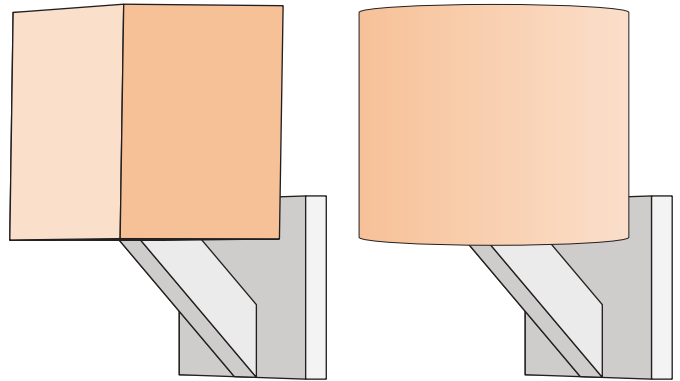


# Sable

700WSSBL\_ 1.0



## GENERAL PRODUCT INFORMATION:



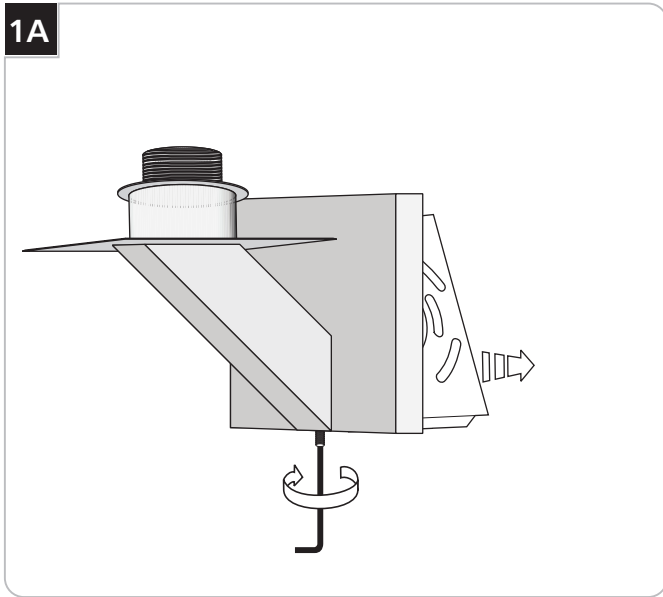
Mount to either a 4" square electrical box with round plaster ring or an octagonal electrical box.

Suitable for damp locations.

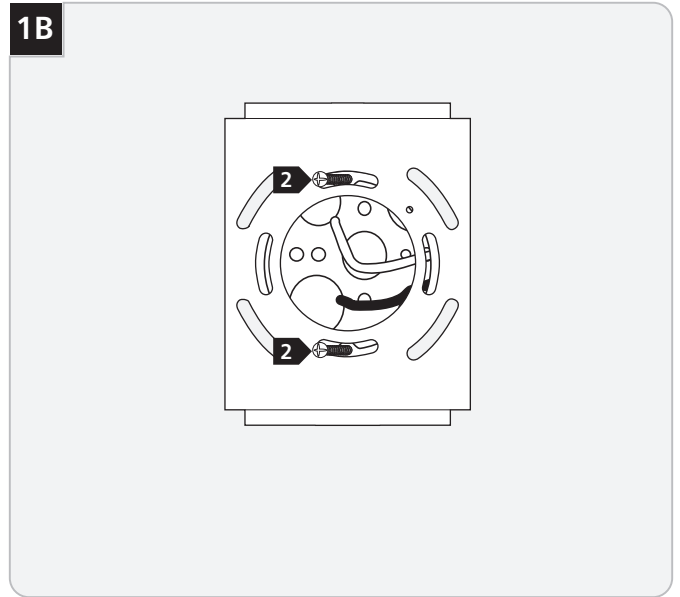
Dimmable with a standard incandescent dimmer.

**CAUTION — RISK OF FIRE**  
This product requires installation by a qualified electrician. Before installing be sure to read all instructions and **TURN OFF POWER TO THE ELECTRICAL BOX.**

## Install the Fixture



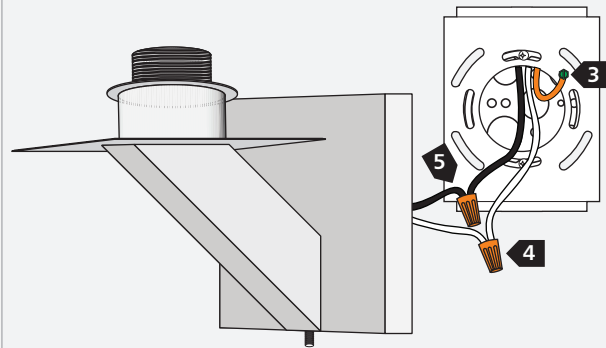
**1** Back out the set screw at the bottom of the fixture and remove the backplate.



**2** Screw the backplate to the electrical box.

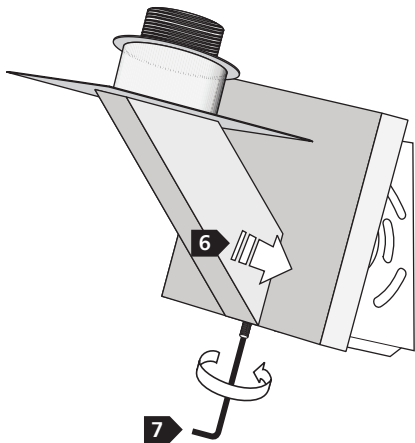
## Install the Lamp and Shade

1C



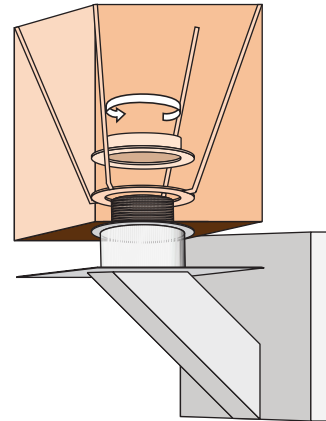
- 3 Connect the backplate wire to a suitable ground in accordance with local electrical codes.
- 4 Connect the white wire to the neutral power line.
- 5 Connect the black wire to the hot power line.

1D



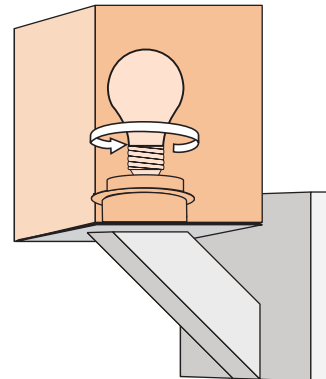
- 6 Hook the top of the fixture onto the backplate and place the fixture flush against the wall.
- 7 Tighten the screw at the bottom of the fixture.

2A



- 1 Place the shade support ring onto the socket and screw the retaining ring to the socket.

2B



MAX 60 Watt type A19 medium base incandescent lamp.



- 2 Screw the lamp into the socket.

**SAVE THESE INSTRUCTIONS!**



**TECH LIGHTING®**

7400 Linder Ave, Skokie, IL 60077  
847.410.4400

[www.techlighting.com](http://www.techlighting.com)

© 2008 Tech Lighting, L.L.C. All rights reserved. The "Tech Lighting" graphic is a registered trademark of Tech Lighting, L.L.C. Tech Lighting reserves the right to change specifications for product improvements without notification.

A Generation Brands Company