

# Light Bar

700UCRD\_ 1.0

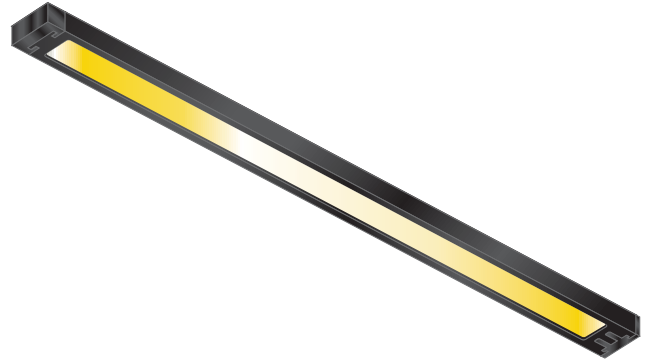


## GENERAL PRODUCT INFORMATION:

This product is suitable for damp locations.

This product can be dimmed with a low-voltage electronic dimmer.

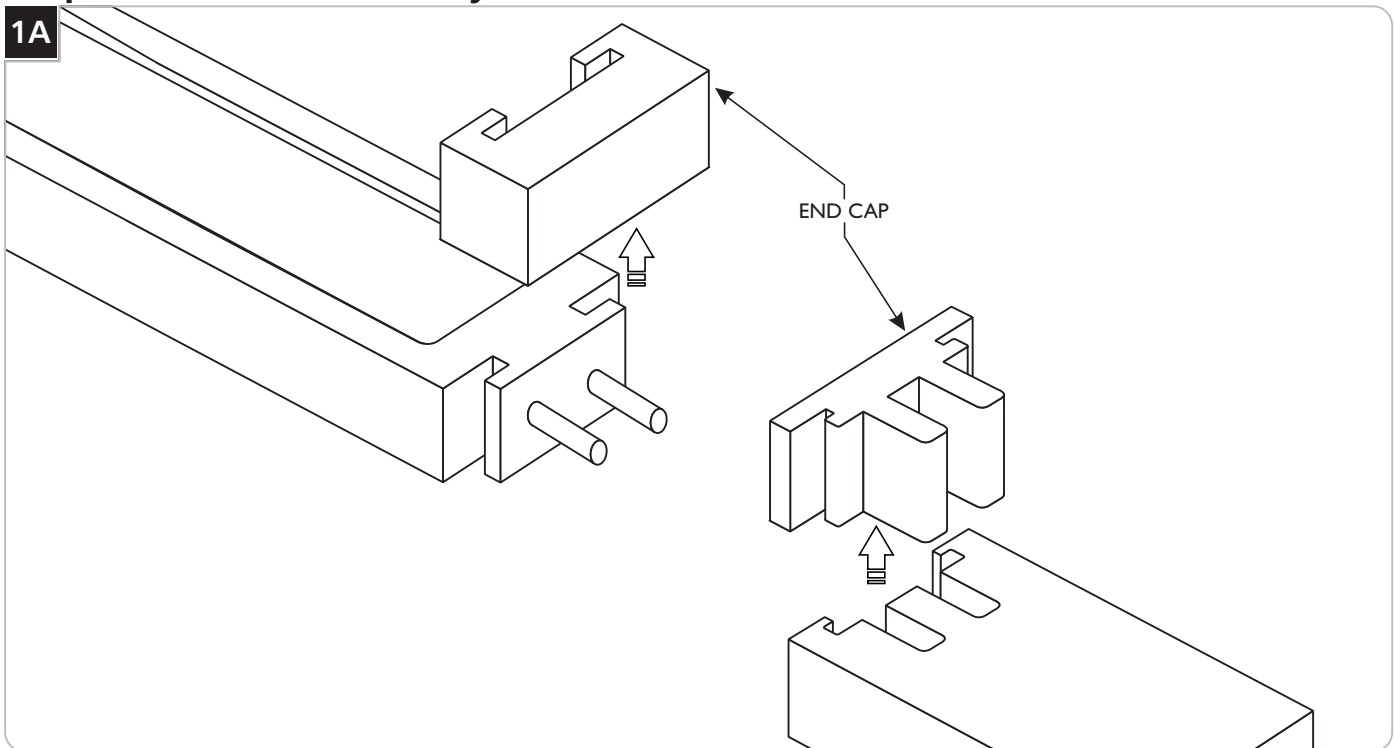
This instruction shows a typical installation.



**CAUTION:** It is important to determine the proper voltage needed, location of the transformer, and fixture layout before beginning the following installation.

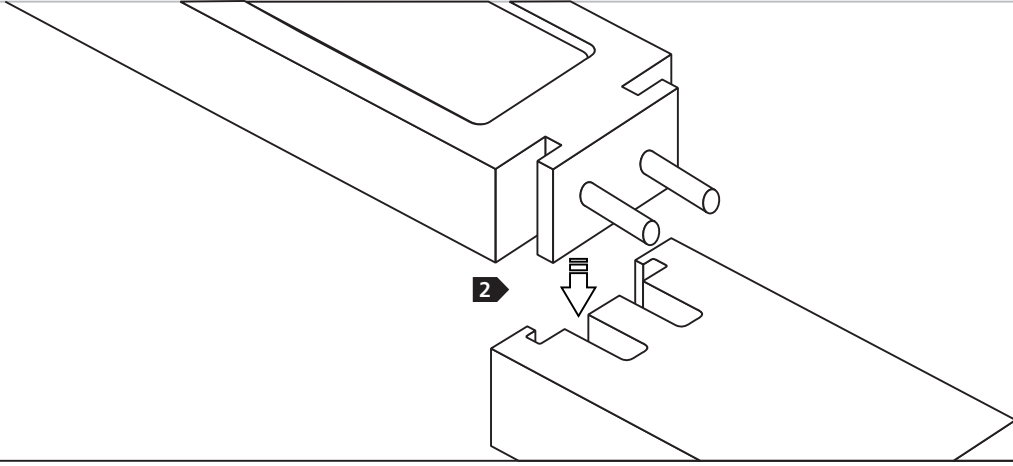
**CAUTION - RISK OF FIRE**  
 This product must be installed in accordance with the applicable installation code by a person familiar with the construction and operation of the product and the hazards involved.  
 Use minimum 90°C supply conductors.

## Preparation and Assembly



**1** Slide off the end caps from the fixtures, power jumpers, and connectors that will be used as a connecting end.

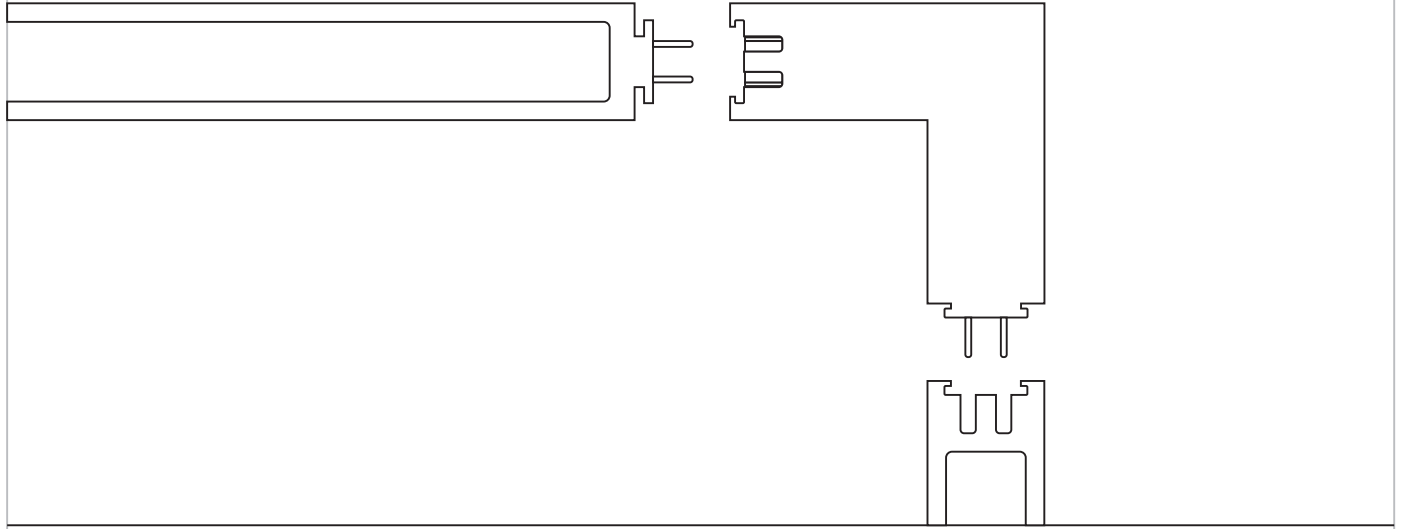
1B



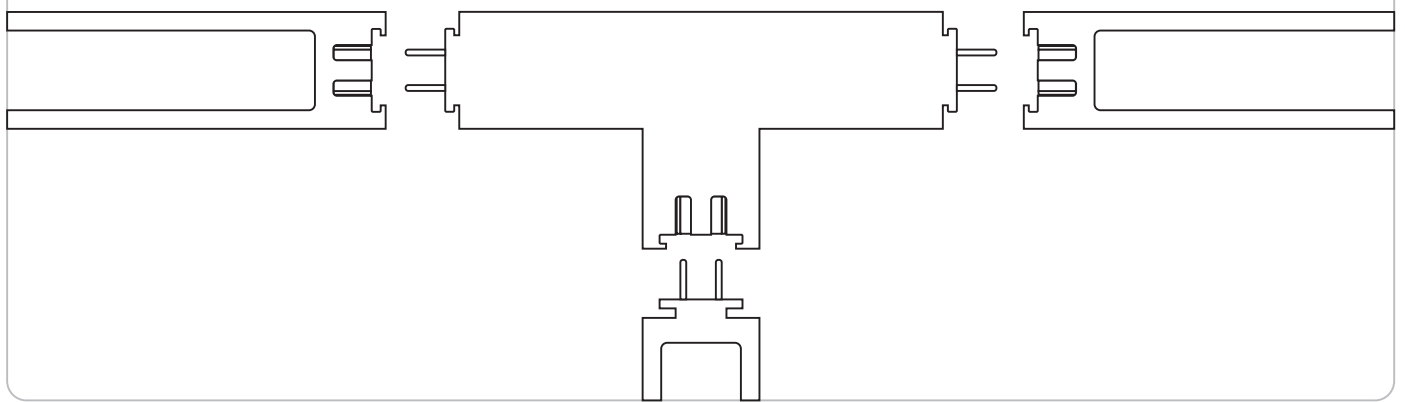
### Jumper Connector



### L Connector

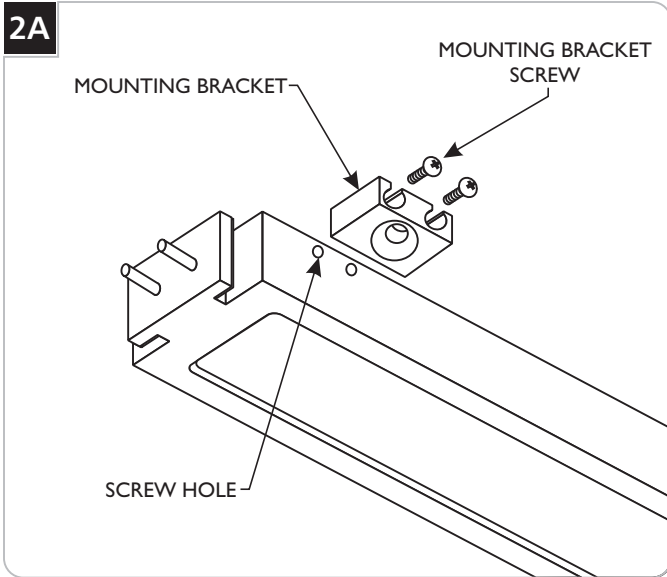


### T Connector

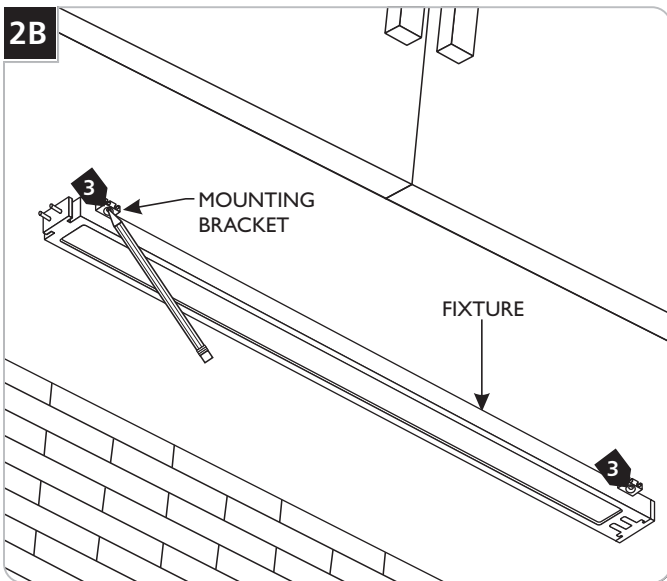


**2** Assemble the fixtures/connectors by aligning then sliding a male end into a female end until it snaps in place. See illustrations for all the connection accessories. Note: Multiple jumpers/connectors may be used consecutively for desired length or formation.

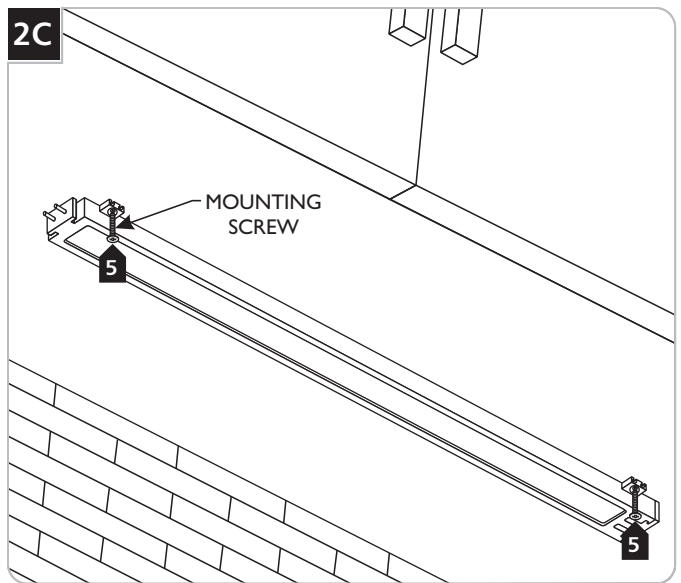
## Install the Fixtures



- 1 Install the mounting brackets to the fixture by aligning the mounting bracket holes to the screw holes on the fixture and secure them in place with the mounting bracket screws.

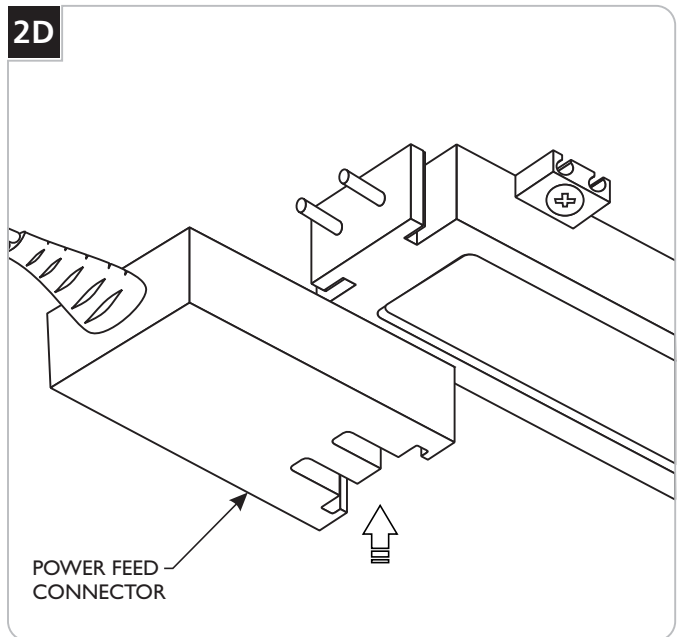


- 2 Carefully plan placement configurations and distances, then place and level the fixture(s) in the predetermined location(s).
- 3 Mark points on the mounting surface through the holes in mounting bracket.
- 4 Drill appropriate sized pilot holes at the marked points.



- 5 Secure the fixture with the provided mounting screws.

## Connecting the Power Feed Cable



- 6 Install the power feed connector by sliding it on to the fixture until it snaps in place.
- 7 Install end caps on exposed ends (reversal of section 1A).

**SAVE THESE INSTRUCTIONS!**



7400 Linder Ave, Skokie, IL 60077

847.410.4400

[www.techlighting.com](http://www.techlighting.com)

© 2013 Tech Lighting, L.L.C. All rights reserved. The "Tech Lighting" graphic is a registered trademark of Tech Lighting, L.L.C. Tech Lighting reserves the right to change specifications for product improvements without notification.

A Generation Brands Company