

# INSTALLATION INSTRUCTIONS

For Model 8724-A615B

READ AND SAVE THESE INSTRUCTIONS

**WARNING! SHUT POWER OFF AT FUSE OR CIRCUIT BREAKER.**

## ASSEMBLING THE FIXTURE (FIG. 1&2)

1. Shut of the power at the circuit breaker and remove the old fixture including the mounting hardware.
2. Thread nipple (C) into loop (F) until snug.
3. Thread the other end of nipple (C) into the crossbar (D) until snug and secure with lock washer (B) and hex nut (A). Note the length of nipple (C) into crossbar (D) may be adjusted.
4. Attach the crossbar assembly to the ceiling outlet box with screws (E).the side of the crossbar marked "GND" must face out. Tighten screws securely with screwdriver.
5. Loosen Nuts (L) to remove Roof (I) (Fig 1)
6. Insert the Glass panels (K) into the Fixture Body (M) and secure them using the Clips that are located on the top of the Fixture Body. After the installation, replace Roof (I) and secure with Nuts (L). (Fig. 1)

## SUGGESTED INSTALLATION (FIG. 1&2)

7. Determine the desired hanging height and remove the excess chain with proper chain pliers to avoid damaging the finish.
8. Open one end of the chain and connect it to the fixture chain loop (J) and close the link. Thread the wire carefully through the chain links.
9. Place lock ring (H) followed by canopy (G) over the chain and allow them to carefully rest on the fixture body.
10. Open the other end of the chain and attach it to chain loop (F) and close the link.
11. Feed the wires through the lock ring (H), canopy (G), loop (F), and nipple (C).

## CONNECT THE WIRES (FIG.3)

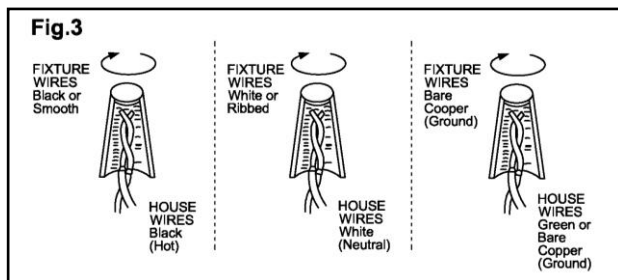
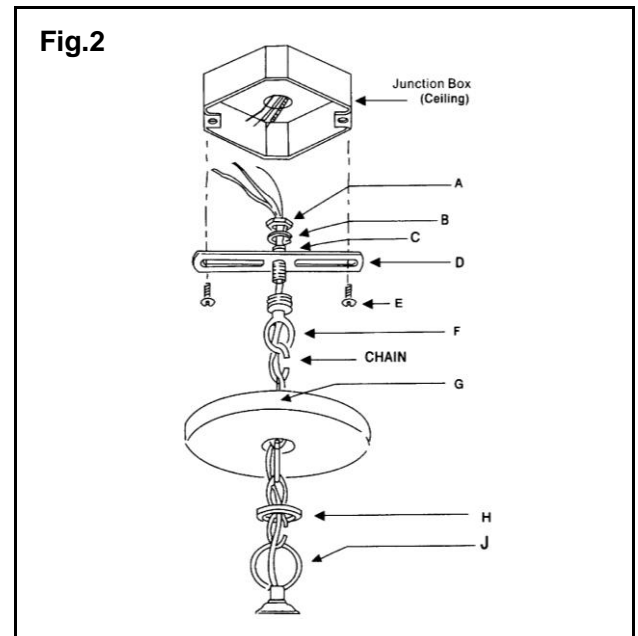
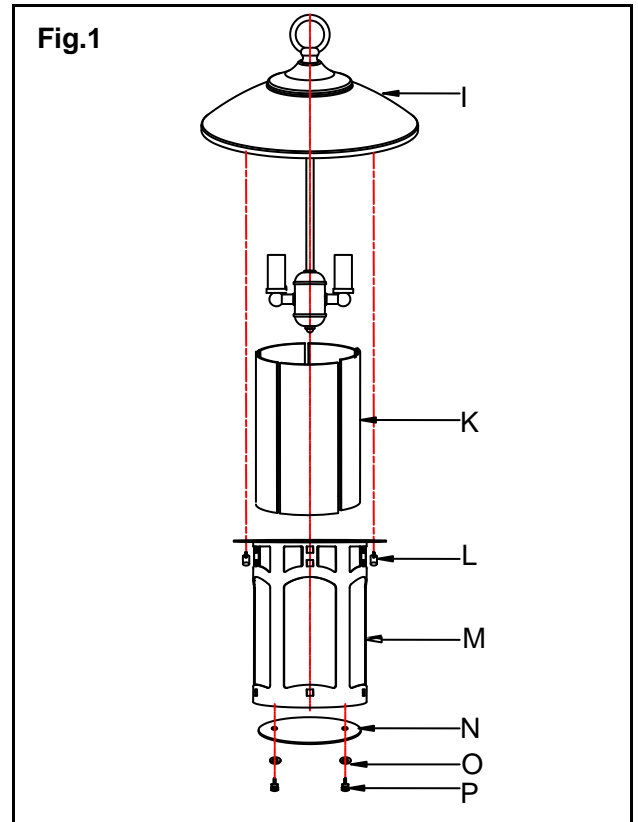
12. Connect the electrical wires as shown in Fig. 3, making sure that all wire connectors are secured. If your outlet has a ground wire (green or bare copper), connect the fixture's ground wire to it. Otherwise, connect the fixture's ground wire directly to the crossbar using the green screw provided. Tuck the wire connections neatly into the junction box.

## FINISHING THE INSTALLATION (FIG.1)

13. Install 3\*60W B10.5 bulbs (not included) in accordance with the fixture's specification. **DO NOT EXCEED THE MAXIMUM WATTAGE RATING!**
14. For installing or replacing the bulb at a later date, remove the nuts (P), washers (O) and bottom glass (N). After the installation, replace bottom glass (N), washers (O) and secure them with nuts (P).

Your installation is now complete. Return power to the junction box and test the fixture.

**Note: Illustration (Fig. 1) on this manual is for installation purposes only. It may or may not be identical to the fixture purchased.**



Notice: It is important to use proper chain pliers (not included) To OPEN and CLOSE the chain included with this fixture. Do not open them with other tools that may twist or stress the chain links. It is important to use proper chain pliers like the ones shown in the diagram.

LA-1979E