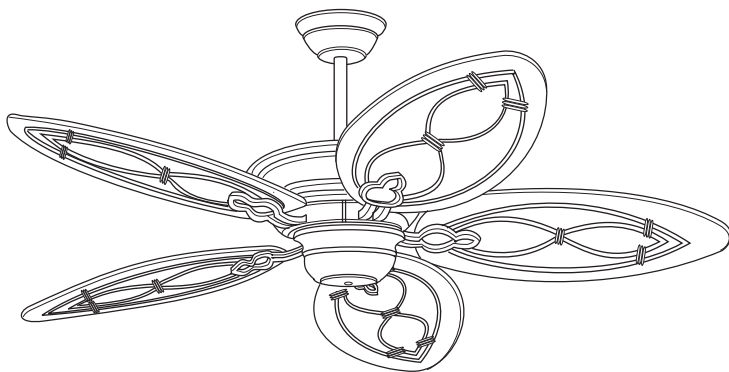


READ AND SAVE THESE INSTRUCTIONS

Tommy Bahama®

FINE CEILING FANS



COPA BREEZE

**52" Wet Location
Ceiling Fan Owner's Manual**

Model Number

**TB311DBZ00
Distressed Bronze**

Net Weight:

24.5 Lbs.



WARNING

WARNING: To avoid fire, shock, and serious personal injury, follow these instructions.

Safety Instructions

1. Read your owner's manual carefully and keep it for future reference.
2. Before servicing or cleaning unit, switch power off at service panel and lock service panel disconnecting means to prevent power from being switched on accidentally. When the service disconnecting means cannot be locked, securely fasten a warning device, such as a tag, to the service panel.
3. Be careful of the fan and blades when cleaning, painting, or working near the fan. Always turn off the power to the ceiling fan before servicing.
4. Do not put anything into the fan blades while they are turning.
5. Do not operate reversing switch until fan blades have come to a complete stop.

Additional Safety Instructions for Installation

1. To avoid possible shock, be sure electricity is turned off at the fuse box before wiring, and do not operate fan without blades.
2. The installation is to be in accordance with the National Electrical Code, ANSI/NFPA 70-2008 and Local Codes. Use the National Electrical Code if Local Codes do not exist. The ceiling fan must be grounded as a precaution against possible electrical shock. Electrical installation should be made or approved by a licensed electrician.
3. The outlet box and joist must be securely mounted and capable of reliably supporting at least 50 pounds. Use only U.L. outlet boxes listed as "Acceptable for Fan Support", and use the mounting screws provided with the outlet box. Most outlet boxes commonly used for support of light fixtures are not acceptable for fan support and may need to be replaced. Consult a qualified electrician if in doubt.
4. The fan must be mounted with the fan blades at least 7 feet from the floor to prevent accidental contact with the fan blades.
5. Follow the recommended instructions for the proper method of wiring your ceiling fan. If you do not know enough about electrical wiring, have your fan installed by a licensed electrician.

NOTE: This fan is suitable for use with solid-state speed controls.

WARNING: To avoid fire or electric shock, this fan should only be used with fan speed control Model No. UC9020, manufactured by Rhine Electric Co., Ltd.

WARNING: This product is designed to use only those parts supplied with this product and/or any accessories designated specifically for use with this product by Emerson Electric Co. Substitution of parts or accessories not designated for use with this product by Emerson Electric Co. could result in personal injury or property damage.

WARNING: To reduce the risk of personal injury, do not bend the blade flange when installing the blade flanges, balancing the blades or cleaning the fan. Do not insert foreign objects in between rotating fan blades.

DATE CODE: _____

The date code of this fan may be found on the box, stamped in ink on a white label. You should record this data above and keep it in a safe place for future use.

**THIS FAN IS SUITABLE FOR WET LOCATIONS SUCH AS
PORCHES, PATIOS, AND DECKS.**

Tools Needed for Assembly

- One Phillips head screwdriver
- One wire stripper
- One stepladder

Materials

Wiring, outlet box and box connectors must be of type required by the local code. The minimum wire would be a 3-conductor (2-wire with ground) of the following sizes:

| Installed Wire Length | Wire Size A.W.G. |
|-----------------------|------------------|
| Up to 50 ft. | 14 |
| 50-100 ft. | 12 |



WARNING

Before assembling your ceiling fan, refer to section on proper method of wiring your fan (page 9). If you feel you do not have enough wiring knowledge or experience, have your fan installed by a licensed electrician.

Unpacking Instructions

For your convenience, check-off boxes are provided next to each step. As each step is completed, place a check mark in the box. This will insure that all steps have been completed and will be helpful in finding your place should you be interrupted.



WARNING

Do not install or use fan if any part is damaged or missing. Call Toll-Free:

1-800-654-3545



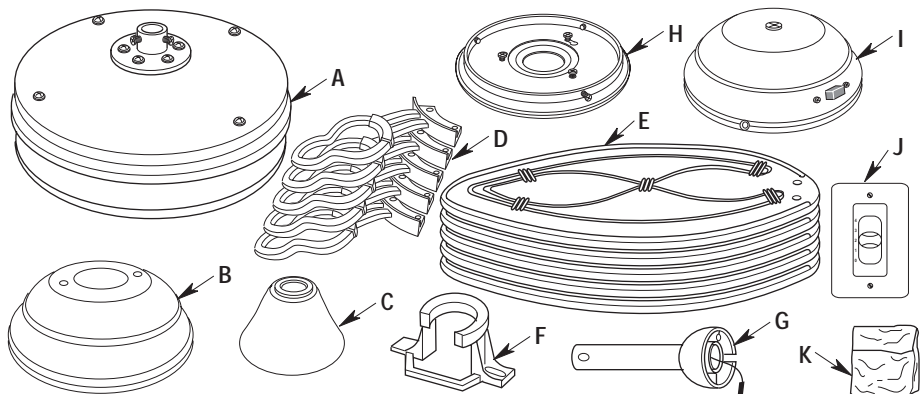
WARNING

This product is designed to use only those parts supplied with this product and/or any accessories designated specifically for use with this product by Emerson Electric Co. Substitution of parts or accessories not designated for use with this product by Emerson Electric Co. could result in personal injury or property damage.

- 1. Open the fan carton containing fan. Remove top half of styrofoam unit. Remove parts and check to see that you have received the following parts:

NOTE: If you are uncertain of part description, refer to exploded view illustration.

- a. Fan motor and housing assembly
- b. One ceiling canopy
- c. One coupler cover
- d. Five blade flanges
- e. Five fan blades
- f. One hanger bracket
- g. One hanger ball/downrod assembly
- h. One switch housing plate
- i. On switch housing cover
- j. One wall control with switch plate and hardware
- k. One loose parts bag containing:
 - 1. One M4 x 12mm switch housing plate screw
 - 2. Two #8-32 x 1-1/4" threaded studs
 - 3. Two #8-32 knurled knobs
 - 4. Two #8 lockwashers
 - 5. Four wire connectors
 - 6. One clevis pin/hairpin clip assembly
 - 7. One M6 x 14mm pan head shoulder flange screw with lockwasher
 - 8. Sixteen M5 x 6mm flange head blade screws
 - 9. One blade balancing kit



NOTE: Place the parts from the loose parts bags in a small container to keep them from being lost. If any

parts are missing, contact your local retailer or catalog outlet for replacement before proceeding.

General

This control is designed to operate only one ceiling fan, and not an accessory light kit. This SW46 speed control is rated for 1.2 amps at 120 volts. To avoid erratic speeds and possible damage to your ceiling fan, use this control only with the fan pull chain switch set to its high speed setting.

IMPORTANT

This Owner's Manual is divided into two sections. The first section, **CEILING FAN PROCEDURES**, describes how to install and how to set the operating frequency of the transmitter. These instructions must be performed prior to the installation of the ceiling fan as described in the second section, **WALL CONTROL PROCEDURES**.

CEILING FAN PROCEDURES

Electrical Requirements

IMPORTANT

Your ceiling fan and wall control will not function properly, and may be damaged, if used with any other wall control other than a Tommy Bahama Wall Control. Use only this Tommy Bahama Wall Control or a listed general use on/off wall switch.

Your new ceiling fan will require a grounded electrical supply line of 120 volts AC, 60 Hz, 15 amp circuit.

The outlet box must be securely anchored and capable of withstanding a load of at least 50 pounds.



WARNING

To reduce the risk of fire, electric shock, or personal injury, mount fan to outlet box marked "Acceptable for Fan Support", and use screws supplied with outlet box. Most outlet boxes commonly used for support of light fixtures are not acceptable for fan support and may need to be replaced. Consult a qualified electrician if in doubt.

If your fan is to replace an existing ceiling light fixture, turn electricity off at the main fuse or circuit breaker box at this time and remove the existing light fixture.

⚠ WARNING

Turning off wall switch is not sufficient. To avoid possible electrical shock, be sure electricity is turned off at the main fuse or circuit breaker box before wiring. All wiring must be in accordance with National and Local codes and the ceiling fan must be properly grounded as a precaution against possible electrical shock.

⚠ WARNING

To avoid possible fire or shock, follow all wiring instructions carefully. Any electrical work not described in these instructions should be done or approved by a licensed electrician.

How to Assemble Your Ceiling Fan

- 1. Remove the fan motor and housing assembly from the styrofoam packaging and position it so that the top of the motor is facing you.
- 2. Remove the hanger ball from the downrod by loosening the setscrew in the hanger ball until the ball falls freely down the downrod (Figure 2). Remove the pin from the downrod, then remove the hanger ball. Retain the pin and hanger ball for reinstallation in step 8.

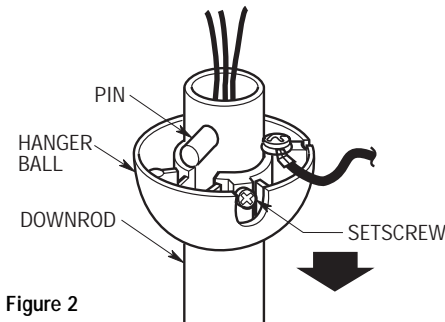


Figure 2

- 3. Separate, untwist and unkink the three motor leads. Route the motor leads through the downrod and seat the downrod in the motor coupling (Figure 3).

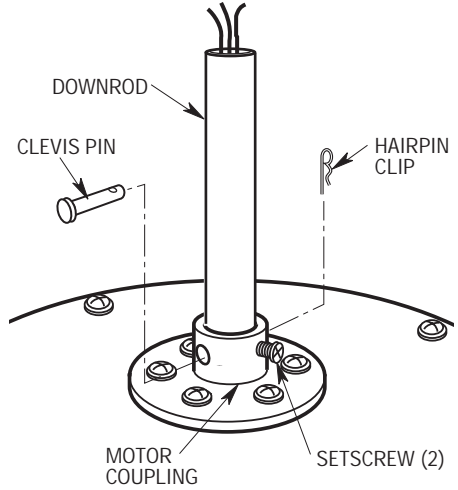


Figure 3

- 4. Align the holes in the downrod with the holes in the motor coupling. Install the clevis pin and secure with the hairpin clip (Figure 3). (Pin and clip are supplied in loose parts bag.) The clevis pin must go through the holes in the motor coupling and the holes in the downrod. Push the straight leg of the hairpin clip through the hole near the end of the clevis pin until the curved portion of the hairpin clip snaps around the clevis pin. The hairpin clip must be properly installed to prevent the clevis pin from working loose. Pull on the downrod to make sure the clevis pin is properly installed.

⚠ WARNING

It is critical that the clevis pin in the motor coupling is properly installed and the setscrew securely tightened. Failure to verify that the pin and setscrew are properly installed (as shown in Figure 3) could result in the fan falling.

- 5. While pulling up on the downrod, tighten the setscrew(s) using a phillips screwdriver (Figure 3).

NOTE: The setscrew must be properly installed as described above, or fan wobble could result.

- 6. Route the motor leads through the coupler cover onto the downrod until it rest on the motor housing (Figure 4).

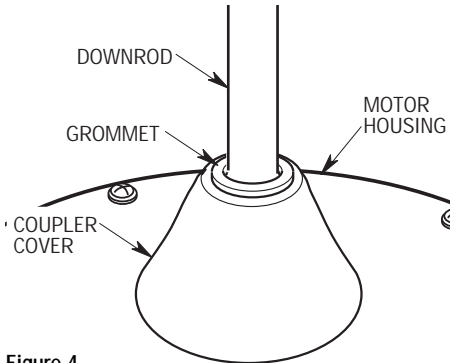


Figure 4

- 7. Route the motor leads through the ceiling cover and install onto the downrod. Be sure the cover is oriented correctly, with the large opening at the top (Figure 5).

- 8. Reinstall the hanger ball on the downrod (Figure 5) as follows. Route the motor leads through the hanger ball and slide the hanger ball over the downrod. Install the pin through the holes at the top of the downrod and slide the hanger ball up the downrod, aligning the ball so the pin is captured in the groove in the top of the hanger ball. Pull the hanger ball up tight against the pin and securely tighten the setscrew in the hanger ball with a phillips screwdriver. A loose setscrew could create fan wobble.

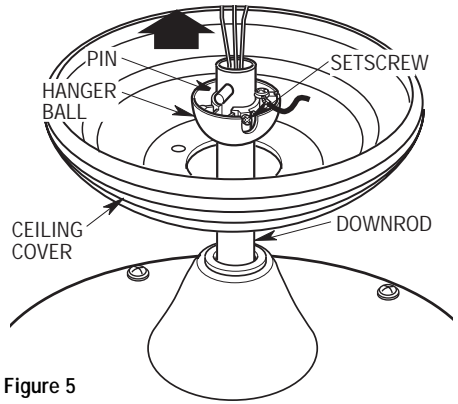


Figure 5

- 9. Cut the white, blue, and black leads from the downrod approximately 6 to 9-inches above the hanger ball. Strip back insulation 1/2-inch from the end of the leads.
- 10. Install and tighten the three M5 x 6mm flange head blade screws to secure the fan blade to the blade flange (Figure 6). Repeat this procedure for the remaining four blades.

NOTE: Be sure the plain side of the ceiling fan blade is facing up as shown in Figure 6.

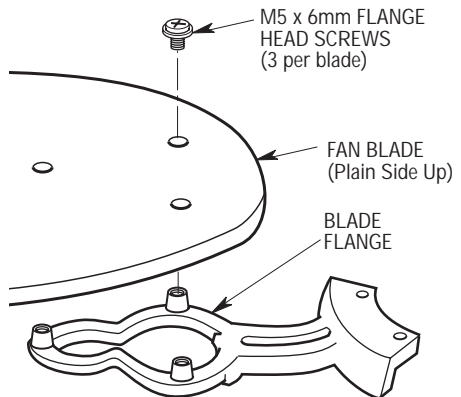


Figure 6

- 11. Carefully turn the fan motor and housing assembly upside down in preparation for mounting the fan blades assemblies.

⚠ WARNING

It is critical that the pin in the hanger ball is properly installed and the setscrew securely tightened. Failure to verify that the pin and setscrew are properly installed could result in the fan falling.



WARNING

To reduce the risk of personal injury, do not bend the blade flanges when installing the flanges, balancing the blades, or cleaning the fan. Do not insert foreign objects between rotating fan blades.

- 12. Carefully turn the partially assembled ceiling fan over and set it on the styrofoam for blade installation.
- 13. Remove the shipping spacers from the motor before installation of blade assemblies. Discard the spacers and spacer screws (Figure 7).
- 14. Position the blade flange on the motor hub so that the preassembled screws in the blade flange align with the two threaded holes in the motor hub (Figure 7).
- 15. Securely tighten the two pre-assembled M6 x 14mm shoulder flange screws and lockwashers into the motor housing.
- 16. Install the remaining four blade assemblies in the same way. This completes the blade installation.
- 17. Remove one of the switch housing screws from the motor flange and retain for future installation. Loosen the two remaining screws (Figure 7).

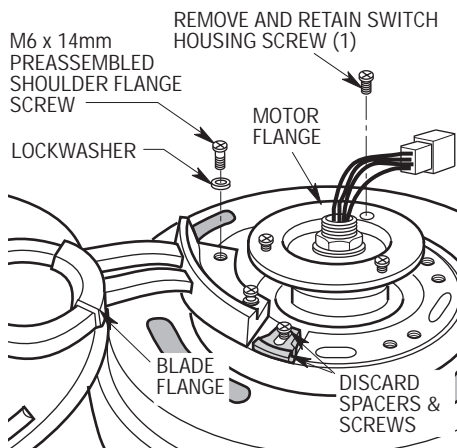


Figure 7

- 18. Place the switch housing plate onto the motor flange. Rotate the switch housing plate clockwise to engage the two loosened screws in the key hole slots. Reinstall the one screw previously removed in step 17. Securely tighten the three screws (Figure 8).

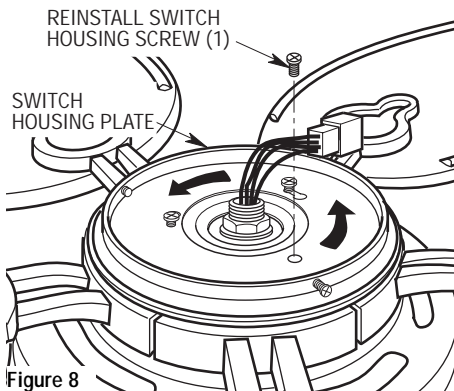


Figure 8

- 19. Remove the three switch housing plate screws and retain for future installation (Figure 9).
- 20. Engage the connector of the switch housing assembly with the motor connector (Figure 9). The two connectors are keyed and color-coded and must be mated correctly (color-to-color) before they can be engaged. Make sure the connector latch closes properly.

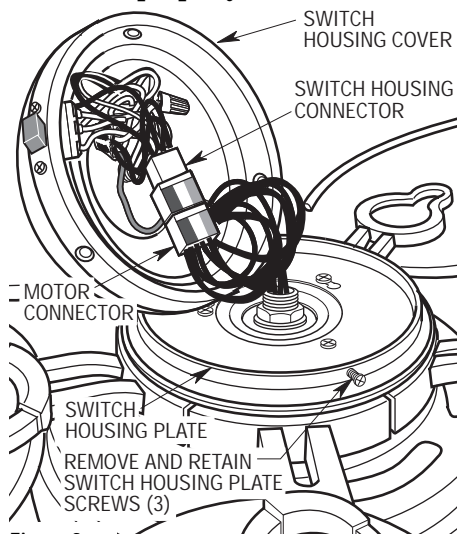


Figure 9

- 21. Position the switch housing assembly on the switch housing plate and align the holes in the switch housing assembly with the holes in the plate. Reinstall the three screws (previously removed in step 19) to secure the switch housing assembly (Figure 10).

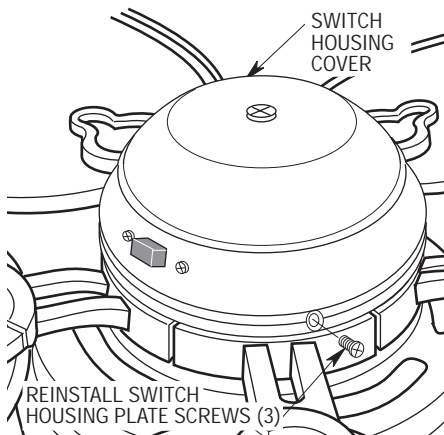


Figure 10

⚠ WARNING

To avoid possible fire or shock, do not pinch wires between the switch housing assembly and the bracket switch housing assembly.

NOTE: To install an accessory light kit, remove switch housing and make light kit electrical connections to blue and white leads marked "For Light" in the switch housing. Follow light kit instructions for wiring and installation. Then reinstall switch housing as outlined above.

NOTE: The supplied wall control can not be used to control the operation of an accessory light kit. The blue fan wire located on top of the motor assembly must be connected to a second "HOT" supply wire that is not attached to the supplied wall control. See your Emerson dealer for optional remote control options that can control the fan and accessory light kit using a single "HOT" supply wire.

How to Hang Your Ceiling Fan

⚠ WARNING

The fan must be hung with at least 7' of clearance from floor to blades (Figure 11).

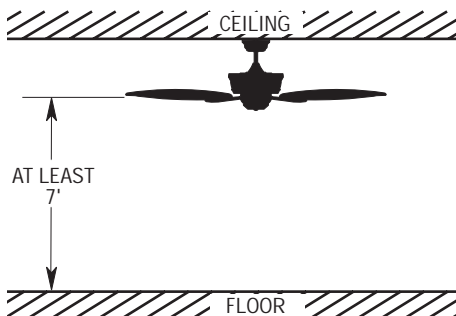


Figure 11

⚠ WARNING

The outlet box and joist must be securely mounted and capable of supporting at least 50 lbs. Use only a U.L. outlet box listed as "Acceptable for Fan Support".

⚠ WARNING

To reduce the risk of fire, electric shock, or personal injury, mount fan to outlet box marked "Acceptable for Fan Support", and use screws supplied with outlet box. Most outlet boxes commonly used for support of light fixtures are not acceptable for fan support and may need to be replaced. Consult a qualified electrician if in doubt.

- 1. Disconnect electrical power to the branch circuit at the circuit breaker or fuse box before attempting to install the ceiling fan mounting plate on the outlet box.

⚠ WARNING

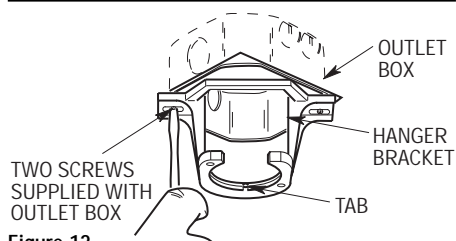
Turning off wall switch is not sufficient. To avoid possible electrical shock, be sure electricity is turned off at the main fuse or circuit breaker box before wiring. All wiring must be in accordance with National and Local codes and the ceiling fan must be properly grounded as a precaution against possible electrical shock.

CAUTION: To reduce the risk of electrical shock, disconnect the electrical supply circuit before installing the fan and wall control.

- 2. Securely attach the hanger bracket to the outlet box using the two screws supplied with the outlet box (Figure 12).

⚠ WARNING

Hanger bracket must seat firmly against outlet box. If the outlet box is recessed, remove wall board until bracket contacts box. If bracket and/or outlet box are not securely attached, the fan could wobble or fall.

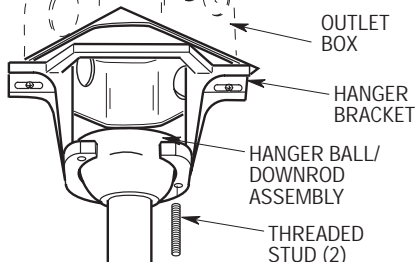


- 3. Carefully lift the fan from the styrofoam packaging and seat the hanger ball/downrod assembly on the hanger bracket that was just attached to the outlet box (Figure 13). Be sure the groove in the ball is lined up with the tab on the hanger bracket (Figure 12).

⚠ WARNING

Failure to seat tab in groove could cause damage to electrical wires and possible shock or fire hazard.

NOTE: CEILING COVER, SUPPLY WIRES AND FAN WIRES OMITTED FOR CLARITY.



⚠ WARNING

To avoid possible fire or shock, do not pinch wires between the hanger ball/downrod assembly and hanger bracket.

How to Wire Your Ceiling Fan and Install the Control

If you feel that you do not have enough electrical wiring knowledge or experience, have your fan installed by a licensed electrician.

⚠ WARNING

Turning off wall switch is not sufficient. To avoid possible electrical shock, be sure electricity is turned off at the main fuse or circuit breaker box before wiring. All wiring must be in accordance with National and Local codes and the ceiling fan must be properly grounded as a precaution against possible electrical shock.

CAUTION: To reduce the risk of electrical shock, disconnect the electrical supply circuit before installing the fan and wall control.

- 1. Pull the wire leads, coming from the end of the downrod, and the supply wires through the open side of the hanger bracket (Figure 14).
- 2. Connect the green grounding wire from the hanger ball, the green grounding wire from the hanger bracket to the grounding conductor of the supply (this may be a bare wire or wire with green colored insulation). Securely connect wires with wire connectors (supplied) (Figure 14).
- 3. Securely connect the fan motor white wire to the supply white (neutral) wire using wire connector supplied (Figure 14).
- 4. Securely connect the fan motor black wire to the supply black (hot) wire using wire connector supplied (Figure 14).
- 5. Cap the blue fan wire with a wire connector if using the supplied wall control (Figure 14).

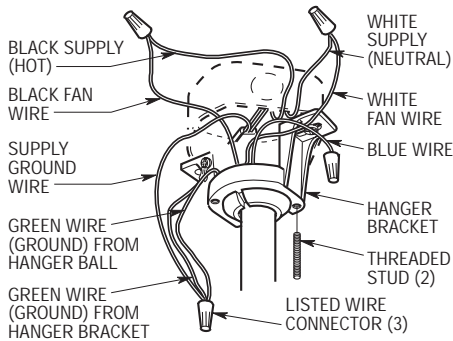


Figure 14

⚠ WARNING

Check to see that all connections are tight, including ground, and that no bare wire is visible at the wire connectors, except for the ground wire. Do not operate fan until blades are in place. Noise and fan damage could result.

- 6. After connections have been made, separate the white and green wires from the black and blue wires.
- 7. Carefully turn the wires upward and insert them up through the open side of the hanger bracket and into the outlet box. Push the green and white wires into one side of the outlet box; push the black and blue wires into the other side of the outlet box.
- 8. Screw the two 1-1/4" threaded studs (supplied) into the tapped holes in the hanger bracket (Figure 14).
- 9. Lift the ceiling cover up to the threaded studs and turn until studs protrude through the holes in the ceiling cover (Figure 15).
- 10. Secure the ceiling cover in place by sliding lockwashers over the threaded studs and installing the two knurled knobs (supplied) (Figure 15). Tighten the knurled knobs securely until the ceiling cover fits snugly against the ceiling.

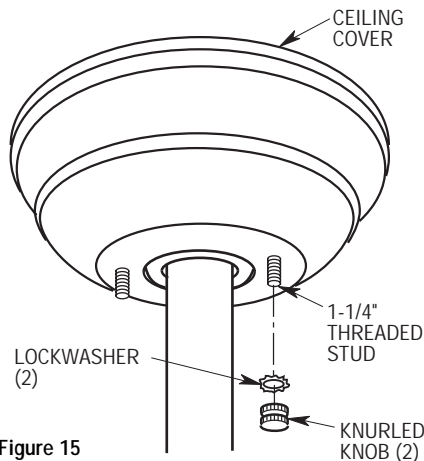


Figure 15

⚠ WARNING

To avoid possible fire or shock, make sure that the electrical wire are completely inside the outlet box and not pinched between the ceiling cover and the ceiling.

How to Install the Wall Control

This control is designed to operate only one ceiling fan

If you feel that you do not have enough electrical wiring knowledge or experience, have your fan installed by a licensed electrician.

1. Disconnect electrical power to the branch circuit at the circuit breaker or fuse box before attempting to install the ceiling fan wall control on the outlet box.

⚠ WARNING

Turning off wall switch is not sufficient. To avoid possible electrical shock, be sure electricity is turned off at the main fuse or circuit breaker box before wiring. All wiring must be in accordance with National and Local codes and the ceiling fan must be properly grounded as a precaution against possible electrical shock.

CAUTION: To reduce the risk of electrical shock, disconnect the electrical supply circuit before installing the fan and wall control.

NOTE: Electric connections should be in accordance with the National Electrical Codes and all Local Codes. Before starting, disconnect power to the circuit at the fuse box or circuit breaker panel.

- 2. Remove the faceplate and screws from the existing wall switch. Pull switch out from wall outlet box.
- 3. Disconnect wires from existing fan wall switch (Figure 16).

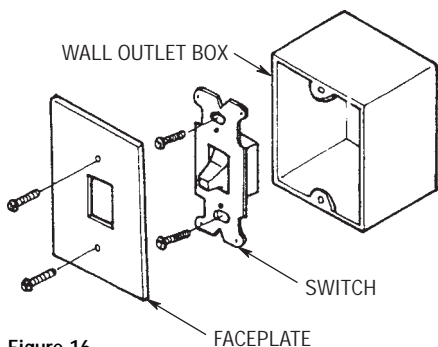


Figure 16

- 4. Slide the Fan Control to the OFF position (0).
- 5. Connect one BLACK wire from the Fan Control to the fan motor lead wire with a wire connector (provided). (Figure 17.)
- 6. Connect the other BLACK wire from the Fan Control to the 120VAC hot wire with a wire connector (provided with control).

NOTE: Use wire connectors (supplied) to secure electrical connections.

⚠ WARNING

Check to see that all connections are tight, including ground, and that no bare wire is visible at the wire connectors, except for the ground wire. Do not operate fan until blades are in place. Noise and fan damage could result.

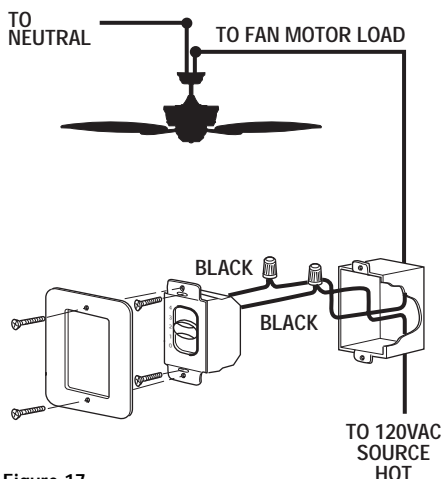


Figure 17

- 7. Attach the Fan Control to the wall outlet box with two 6-32 x 3/4" screws (provided with control).
- 8. Position the faceplate (provided with control) onto the speed control. Using the two 6-32 x 1/4" screws, screw the faceplate and speed control to the wall outlet box (Figure 18).
- 9. Restore power at the main fuse box or circuit breaker panel.

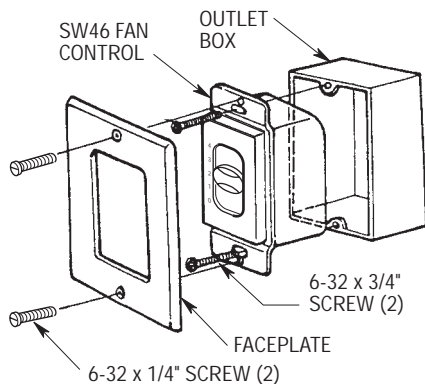


Figure 18

Using Your Ceiling Fan

IMPORTANT

Fan installation must be completed, including the installation of the fan blades, before testing of the controls.

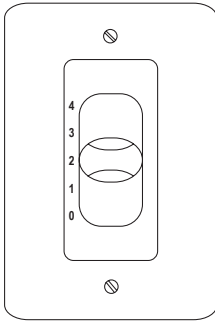


Figure 19

1. Restore electrical power to the outlet box by turning the electricity on at the main fuse box.
2. Check the operation of the fan by sliding the bar of the control through the four positions marked 1-4 ("0" position is OFF) (Figure 19).
3. All fans are shipped from the factory with the reversing switch positioned to circulate air downward. If airflow is desired in opposite direction, turn your fan off and wait for the blades to stop turning, then slide the reversing switch to the opposite position, and turn fan on again (Figure 20).
4. The fan blades will turn in the opposite direction and reverse the airflow.

Reverse Switch Information

| Season | Rotation Direction | Switch Position |
|--------|--------------------|-----------------|
| Summer | Counter-Clockwise | Right |
| Winter | Clockwise | Left |

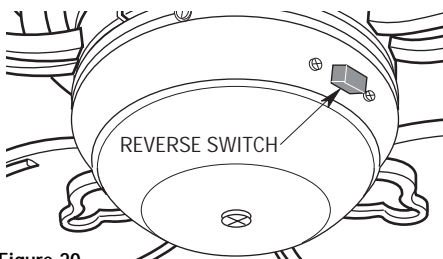


Figure 20

Maintenance

IMPORTANT CARE INSTRUCTIONS for your Ceiling Fan

Periodic cleaning of your new ceiling fan is the only maintenance that is needed.

When cleaning, use only a soft brush or lint free cloth to avoid scratching the finish.

Abrasive cleaning agents are not required and should be avoided to prevent damage to finish.



WARNING

Do not use water when cleaning your ceiling fan. It could damage the motor or the blades and create the possibility of an electrical shock.

Accessories

1. Ceiling Fan Light Kits (see store or catalog).
2. Downrod Extension Kits (see store or catalog).
3. Ceiling Fan Remote Controls (see store or catalog).



WARNING

The use of any other control not specifically approved for this fan could result in fire, shock and personal injury.



WARNING

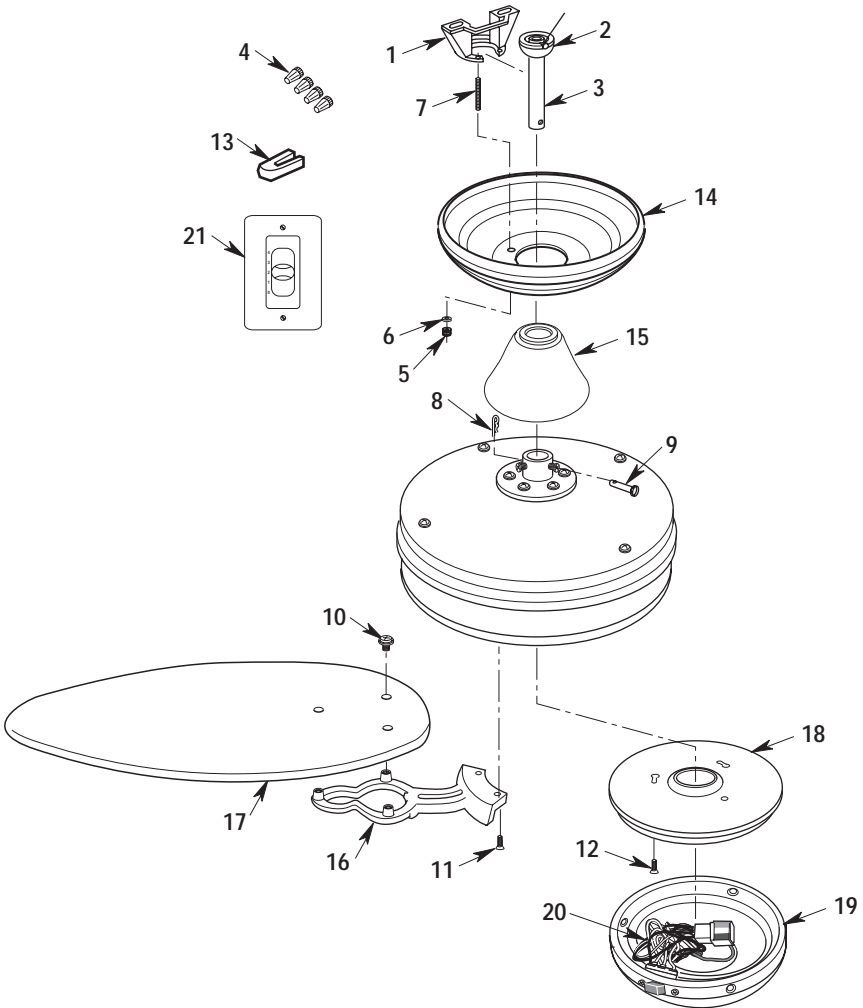
This product is designed to use only those parts supplied with this product and/or any accessories designated specifically for use with this product by Emerson Electric Co. Substitution of parts or accessories not designated for use with this product by Emerson Electric Co. could result in personal injury or property damage.

▲ WARNING: FOR YOUR OWN SAFETY TURN OFF POWER AT FUSE BOX OR CIRCUIT BREAKER BEFORE TROUBLE SHOOTING YOUR FAN.

Trouble Shooting

| TROUBLE | PROBABLE CAUSE | SUGGESTED REMEDY |
|---|---|---|
| <p>1. Fan will not start.</p> | <p>1. Fuse or circuit breaker blown.</p> <p>2. Loose power line connections to the fan, or loose switch wire connections in the switch housing.</p> <p>3. Wall switch is off.</p> | <p>1. Check main and branch circuit fuses or circuit breakers.</p> <p>2. Check line power connections to fan and switch wire connections in the switch housing.</p> <p>3. Turn on wall switch.</p> <p>▲ WARNING: Make sure main power is turned off.</p> |
| <p>2. Fan sounds noisy.</p> | <p>1. Blades not attached to fan.</p> <p>2. Screws securing fan blade flanges to motor are loose.</p> <p>3. Wire connectors inside switch housing rattling.</p> <p>4. Screws holding blades to flanges are loose.</p> <p>5. Loose screws in motor housing.</p> | <p>1. Attach blades to fan before operating.</p> <p>2. Check to make sure the screws which attach the blade flanges to the motor are tight.</p> <p>3. Check to make sure wire connectors in switch housing are not rattling against each other or against the interior wall of the switch housing.</p> <p>▲ WARNING: Make sure main power is turned off.</p> <p>4. Tighten screws securely.</p> <p>5. Check to make sure all screws in motor housing are snug (not over-tight).</p> |
| <p>3. Fan wobbles excessively.</p> | <p>1. Setscrew in motor coupling is not tightened securely.</p> <p>2. Setscrew in the hanger ball/downrod assembly is loose.</p> <p>3. Screws securing fan blade flanges to motor are loose.</p> <p>4. Fan blade flanges not seated properly.</p> <p>5. Hanger bracket and/or ceiling outlet box is not securely fastened.</p> <p>6. Fan blades out of balance.</p> | <p>1. Raise coupling cover and tighten setscrew securely.</p> <p>2. Tighten the setscrew in the hanger ball/downrod assembly.</p> <p>3. Check to be sure screws which attach the fan blade flanges to the motor are tight.</p> <p>4. Check to be sure that the screws securing the fan blade flanges seat firmly.</p> <p>5. Tighten the hanger bracket screws to the outlet box, and/or secure outlet box.</p> <p>6. Interchanging an adjacent (side-by-side) blade pair can redistribute the weight and result in smoother operation. Or use supplied balancing kit to balance blades.</p> |

Repair Parts



Before discarding packaging material, be certain all parts have been removed.

HOW TO ORDER REPAIR PARTS

WHEN ORDERING REPAIR PARTS, ALWAYS GIVE THE FOLLOWING INFORMATION:

- PART NUMBER
- NAME OF ITEM
- PART DESCRIPTION
- MODEL NUMBER

The model number of your Fan will be found on a label attached to the top housing. For repair parts, phone 1-800-654-3545.

Repair Parts Listing

| Key No. | Description | Part Number |
|---------|---|-------------------------|
| | | Model No. TB311DBZ00 |
| * | Hanger Pack, Consisting of: | 761655-81 |
| 1 | Hanger Bracket | — |
| 2 | Hanger Ball | — |
| 3 | Downrod | — |
| * | Parts Bag, Containing: | 764022 |
| 4 | Wire Connector (4) | — |
| 5 | Knurled Knob, #8-32 (2) | — |
| 6 | Lockwasher, #8 (2) | — |
| 7 | Threaded Stud, 1-1/4" (2) | — |
| 8 | Hairpin Clip (1) | — |
| 9 | Clevis Pin (1) | — |
| 10 | Screw, Flange Head Blade, M5 x 6mm (16) | — |
| 11 | Screw, Pan Head Shoulder Flange with Lockwasher, M6 x 14mm (1 spare) | — |
| 12 | Screw, Pan Head Switch Cup, M4 x 12mm (1 spare) | — |
| 13 | Blade Balancing Kit (1) | — |
| 14 | Canopy, Ceiling | 764013-DBZ |
| 15 | Cover, Coupler | 762463-DBZ |
| 16 | Flange Set, Blade (full set for one fan) | 764016-DBZ |
| 17 | Blade Set, (full set for one fan) | 764018-MAB |
| 18 | Switch Housing Plate | 763791-DBZ |
| 19 | Switch Housing Cover | 764020-DBZ |
| 20 | Wiring Harness Assembly | 764021 |
| 21 | Receiver, Wall Control, SW46 | 761971 |
| — | Owner's Manual | BP7409-1 |

LIMITED WARRANTY

What The Warranty Covers:

This warranty covers the motor and the other components and accessories of your Emerson ceiling fan against all defects in workmanship and materials. You must be the original purchaser or user of the product to be covered.

What The Period Of Coverage Is:

As it applies to the motor, this warranty will last for a lifetime of your ceiling fan. All other components and accessories are covered by this warranty for one year from the date you purchased your ceiling fan. ANY IMPLIED WARRANTY OF MERCHANTABILITY OR FITNESS FOR A PARTICULAR PURPOSE, MADE WITH RESPECT TO COMPONENTS AND ACCESSORIES IS ALSO LIMITED TO ONE YEAR.

What Will Emerson Electric Co. Do To Correct Problems:

Emerson Electric Co. will replace a defective Emerson Air Comfort Ceiling Fan motor, blade, component or other accessory at no charge to you. If repair of the motor or blades is not practical or possible within a reasonable time and no replacement can be provided, Emerson Electric Co. will refund the actual purchase price of your fan. **We will ship the repaired product or replacement to you at no charge, but you are responsible for all costs of removal, reinstallation and shipping of the product to Emerson Electric Co.**

How Can You Get Service:

YOU MUST HAVE PROOF OF YOUR PURCHASE OF THE CEILING FAN TO OBTAIN LIMITED WARRANTY SERVICE. KEEP YOUR RECEIPT OR OTHER PROOF OF PURCHASE. You can return the product to our factory or to your nearest authorized service center.

- To return the product to the factory, obtain a return authorization and service identification tag by writing to Air Comfort Products, Division of Emerson Electric Co., 8100 W. Florissant Ave., St. Louis, MO 63136. Include all model numbers shown on the product with your request.
- To return the product to an authorized service center, call 1-800-654-3545 for the address of the nearest authorized service center. You will be responsible for all insurance, freight or other transportation charges to our factory or authorized service center. Your Emerson Air Comfort Ceiling Fan should be properly packed to avoid damage in transit since we will not be responsible for any such damage.

What Is Not Covered:

The glass globes and light bulbs of your ceiling fan are not covered by this warranty. This warranty also does not cover any defects, malfunctions or failures caused by:

- Repairs by persons not authorized by Emerson Electric Co.,
- Use of parts or accessories not authorized by Emerson Electric Co.,
- Mishandling, improper installation, modifications or damage to your ceiling fan while in your possession, or
- Unreasonable use, misuse, abuse, including failing to do reasonable and necessary maintenance, and normal wear and tear.

Additionally, this warranty and any implied warranty of merchantability or fitness for a particular purpose are voided when:

- The original purchaser or user ceases to own the product, or
- The fan is moved from its original point of installation.

This warranty is only valid within the 50 states of the United States and the District of Columbia. No other written or oral warranties apply, and no employee, agent, dealer or other person is authorized to give any warranties on behalf of Emerson Electric Co.

REPAIR, REPLACEMENT OR A REFUND ARE THE EXCLUSIVE REMEDIES AVAILABLE UNDER THIS WARRANTY AND EMERSON ELECTRIC CO. IS NOT RESPONSIBLE FOR DAMAGES OF ANY KIND, INCLUDING INCIDENTAL AND CONSEQUENTIAL DAMAGES. Incidental damages include but are not limited to such damages as loss of time and loss of use. Consequential damages include but are not limited to the cost of repairing or replacing other property which was damaged if this product does not work properly.

How State Law Relates To The Warranty:

Some states do not allow the exclusion or limitation of incidental or consequential damages so the above exclusion or limitation may not apply to you. This warranty gives you specific legal rights, and you may also have other rights which vary from state to state.

Tommy Bahama[®]

FINE CEILING FANS

**8100 W. Florissant
St. Louis, MO 63136
1-800-654-3545**