

# TOTO®

# CST424EF(G)

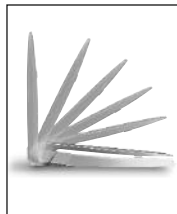
## EcoPromenade Closed Coupled Toilet, 1.28 GPF



**CST424EF - EcoPromenade Closed Coupled Toilet with SS114 - SoftClose Seat**



**E-Max® Technology:** Quiet, powerful, commercial grade flushing performance.



**Choose a SoftClose® toilet seat, or upgrade to a Washlet.**



**Fast Flush:** New, wide 3" flush valve is 125% larger than conventional 2" flush valves.

- Traditional design with stately lines
- Powerful and quiet flush
- Promenade design suite: Matching pedestal and self-rimming lavatories
- Large water surface
- Universal Height

High profile, elongated, close coupled toilet. Low consumption (1.28 Gpf/4.8 Lpf) gravity flushing action.

Tank cover, fittings, chrome plated trip lever less seat.

■ **CST424EF**  
Elongated, 12" rough-in, less seat.


■ **CST424EFG**  
Elongated, 12" rough-in, less seat. SanaGloss glazing. (Available in: #01)

□ **C424EF**  
Elongated front bowl only, 12" rough-in.

□ **C424EFG**  
Elongated front bowl only, 12" rough-in. SanaGloss glazing. (Available in: #01)

□ **ST424E**  
Promenade tank and cover only. Complete with tank trim and coupling components.

□ **SS114**  
SoftClose: Seat and lid gently close with a touch of a hand. Elongated, closed front seat with lid.

 **ADA Compliant**  
(For installation condition with approach from left hand side)

*Colors:*

*Standard* #01 Cotton, #11 Colonial White  
#12 Sedona Beige, #03 Bone  
#51 Ebony

*Trip Lever:*

*Standard* #CP Chrome Plated  
*Optional* See price book for additional finishes



TOTO USA, Inc. recommends the use of a nationally listed, double sanitary tee-wye only, in vertical waste stacks, in accordance with the stipulations noted in the majority of nationally recognized plumbing codes.

# CST424EF(G)

## Eco Promenade Close Coupled Toilet, 1.28 GPF

### ■ PERFORMANCE

The TOTO® E-Max® low consumption toilets received high ratings during ANSI/ASME and CSA testing at independent laboratories. Designed with a powerful siphon jet flushing action, the toilet offers a large water surface and a glazed trapway. Promenade toilets are designed to match the Promenade Lavatory Suite.

### ■ SPECIFICATIONS

Water Use: 1.28 Gpf / 4.8 Lpf  
 Flush System: Gravity Feed  
 Min. Water Pressure: 8 psi  
 Water Surface: 8-7/8" x 6-3/8"  
 Trap Diameter: 2-1/8"  
 Rough-in: 12" rough in  
 Trap Seal: 2-1/4"  
 Material: Vitreous china  
 Warranty: One Year Limited Warranty

Shipping Weight: **C424EF(G) - Bowl** 59 lbs.  
**ST424E - Tank** 41.5 lbs.

#### Shipping Dimensions:

##### **C424EF(G) - Bowl**

28"L x 10"W<sup>1</sup> x 16-1/4"W<sup>2</sup> x 17-1/4"H

##### **ST424E - Tank**

20-1/2"L x 9-1/2"W x 21-3/4"H

*Fixture dimensions and hydraulic performance meet or exceed ANSI/ASME standard A112.19.2 and CAN/CSA B 45 requirements.*

*Listing and approval: IAPMO/UPC, CSA, City of Los Angeles, State of MA, and others*

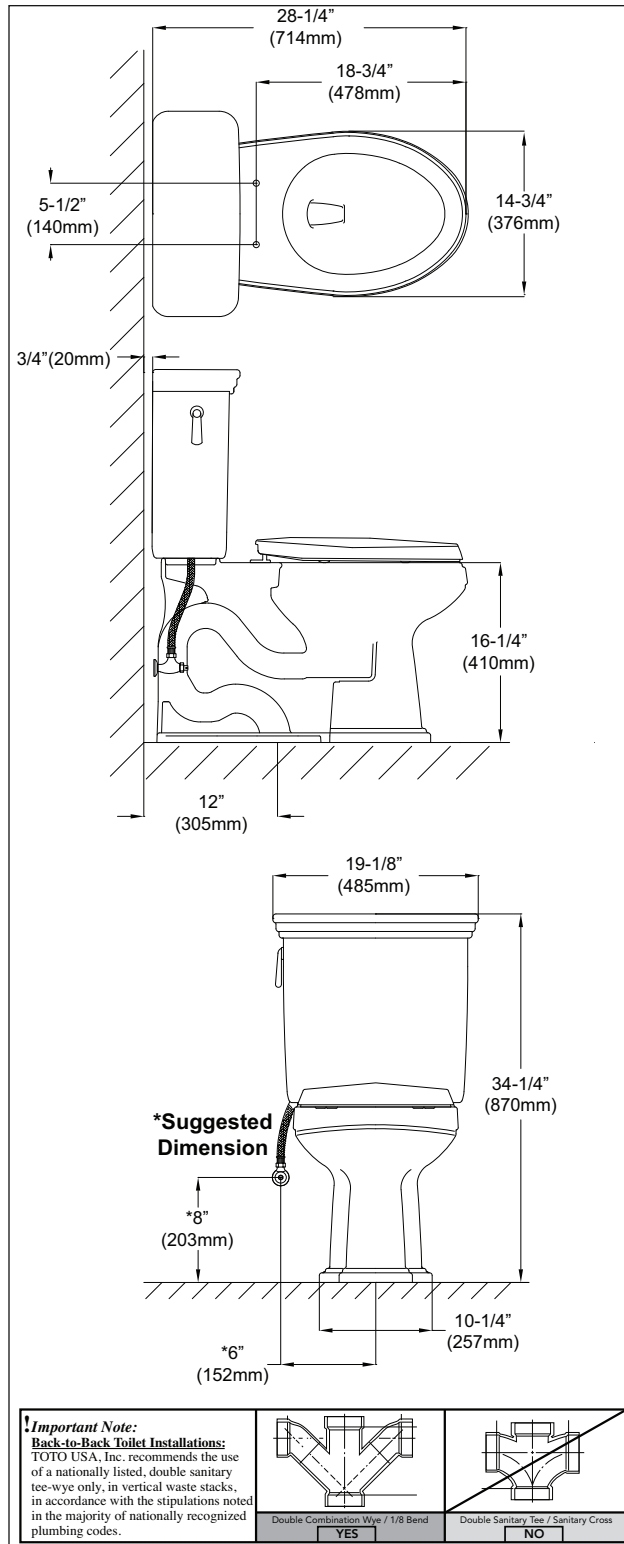
*WaterSense compliant.*

*Meets and exceeds ASME A112.19.2 standards for drainline carry distance with a 2% grade and 4" I.D. pipe.*



*Meets the American Disabilities Act Guidelines and ANSI A117.1. For installation condition with approach from left hand side.*

*These dimensions and specifications are subject to change without notice.*



**CST424EF(G) - Eco Promenade Close Coupled Toilet**

# TOTO®

TOTO U.S.A., INC. • 1155 Southern Road, Morrow, GA 30260  
 Tel. (888) 295-8134 • Fax. (800) 699-4889 • www.totousa.com  
 Printed in U.S.A. © TOTO LTD. 03/08 #SS-00237 V.03

Printed on recycled paper

REV 05/09