

TOTO®

PEOPLE-FIRST INNOVATION™



washlet®
2015 FIT CHART

TOTO®

WASHLET®

COMPARISON CHART

		S350e	S300e	C200	C100	A200	A100
		SW583 (round) SW584 (elongated)	SW573 (round) SW574 (elongated)	SW2043 (round) SW2044 (elongated)	SW2033 (round) SW2034 (elongated)	SW2024 (elongated)	SW2014 (elongated)
CLEANSE	COLOR: Cotton (#01), Sedona Beige (#12)	#01 / #12	#01 / #12	#01 / #12	#01 / #12	#01	#01
	REAR CLEANSE	•	•	•	•	•	•
	SOFT REAR CLEANSE	•	•	•	•	•	•
	FRONT CLEANSE	•	•	•	•	•	•
	WIDE FRONT CLEANSE	•	•				
	OSCILLATING CLEANSE	•	•	•	•	•	•
	PULSATING CLEANSE	•	•	•		•	
	INSTANTANEOUS WATER HEATING	•	•				
	WATER PRESSURE CONTROL	5 SETTINGS	5 SETTINGS	5 SETTINGS	5 SETTINGS	5 SETTINGS	5 SETTINGS
	WATER TEMPERATURE CONTROL	5 SETTINGS	5 SETTINGS	5 SETTINGS	3 SETTINGS	5 SETTINGS	3 SETTINGS
WAND POSITION ADJUSTMENT	•	•	•	•	•	•	
AIR	AIR PURIFIER (DEODORIZER)	•	•	•	•		
	AIR DRYER	•	•	•	•		
	AIR TEMPERATURE CONTROL	5 SETTINGS	5 SETTINGS	5 SETTINGS	3 SETTINGS		
SEAT	HEATED SEAT	•	•	•	•	•	•
	HEATED SEAT TEMPERATURE CONTROL	5 SETTINGS	5 SETTINGS	5 SETTINGS	3 SETTINGS	5 SETTINGS	3 SETTINGS
	SOFT CLOSE SEAT AND LID	•	•	•	•	•	•
SENSOR	SEAT SENSOR	•	•	•	•	•	•
	AUTOMATIC OPEN AND CLOSE LID	•					
	NIGHT LIGHT	•					
REMOTE CONTROL	REMOTE CONTROL	•	•	•	SIDE PANEL	•	SIDE PANEL
	REMOTE CONTROLLED SEAT	•					
	REMOTE CONTROLLED FLUSH						
HYGIENE	REMOVABLE LID	•	•	•	•	•	•
	eWater+™ PREMIST™	•	•	•	•		
	WAND CLEANING MODE	•	•	•	•	•	•
	SELF-CLEANING WAND	•	•	•	•	•	•
ENERGY SAVING	ENERGY-SAVE TIMER	3, 6, 9 HOURS	3, 6, 9 HOURS				
	AUTO ENERGY SAVER	•	•	•	•	•	•
	ON / OFF BUTTON	•	•				

POWER RATING		120V AC, 60Hz	120V AC, 60Hz	120V AC, 60Hz	120V AC, 60Hz	120V AC, 60Hz	120V AC, 60Hz
RATED POWER USAGE		835W	835W	406W	406W	406W	406W
LENGTH OF POWER CORD		Maximum length 3.94 ft.	Maximum length 3.94 ft.	Maximum length 3.94 ft.	Maximum length 3.94 ft.	Maximum length 3.94 ft.	Maximum length 3.94 ft.
WASHLET	NOZZLE FLOW RATE	REAR	9.1 - 14.5 oz. / min.	9.1 - 14.5 oz. / min.	9.1 - 14.5 oz. / min.	9.1 - 14.5 oz. / min.	9.1 - 14.5 oz. / min.
		SOFT	10.8 - 14.5 oz. / min.	10.8 - 14.5 oz. / min.	9.1 - 14.5 oz. / min.	9.1 - 14.5 oz. / min.	9.1 - 14.5 oz. / min.
		FRONT	9.8 - 14.5 oz. / min.	9.8 - 14.5 oz. / min.	9.8 - 14.5 oz. / min.	9.8 - 14.5 oz. / min.	9.8 - 14.5 oz. / min.
		WATER TEMPERATURE	86°F - 104°F	86°F - 104°F	86°F - 104°F	95°F - 104°F	86°F - 104°F
DRYER	AIR TEMPERATURE	95°F - 140°F	95°F - 140°F	86°F - 140°F	86°F - 140°F	-	-
	AIR VOLUME	10.24 ft ³ / min.	10.24 ft ³ / min.	9.54 ft ³ / min.	9.54 ft ³ / min.	-	-
HEATED SEAT	SURFACE TEMPERATURE	82° F - 97° F	82° F - 97° F	82° F - 97° F	82° F - 97° F	82° F - 97° F	82° F - 97° F
WATER SUPPLY PRESSURE		8 psi - 109 psi	8 psi - 109 psi	8 psi - 109 psi	8 psi - 109 psi	8 psi - 109 psi	8 psi - 109 psi
WATER SUPPLY TEMPERATURE		33°F to 95°F	33°F to 95°F	33°F to 95°F	33°F to 95°F	33°F to 95°F	33°F to 95°F
AMBIENT TEMPERATURE		33°F to 104°F	33°F to 104°F	33°F to 104°F	33°F to 104°F	33°F to 104°F	33°F to 104°F
SIZE	ROUND	15-5/16"W x 18-7/8"D x 3-15/16"H	15-5/16"W x 18-7/8"D x 3-15/16"H	15-3/8"W x 18-7/8"D x 7-3/8"H	18-13/16"W x 18-7/8"D x 7-3/8"H	-	-
	ELONGATED	15-5/16"W x 20-3/4"D x 3-15/16"H	15-5/16"W x 20-3/4"D x 3-15/16"H	15-3/8"W x 20-7/8"D x 7-3/8"H	18-13/16"W x 20-7/8"D x 7-3/8"H	15-3/8"W x 20-7/8"D x 7-3/8"H	18-15/16"W x 20-7/8"D x 7-3/8"H

TOTO® WASHLET COMPATIBILITY FOR TOTO TOILETS

	NAME	S300e/ S350	C100/C200	A100/A200
ONE-PIECE TOILETS	AIMES®/LEGATO®	●	●	●
	AQUIA 1-PC®	●	●	●
	CAROLINA® (I & II)	●	●	●
	CARLYLE® (I & II)/CARLYLE II 1G®	●	●	●
	ECO GUINEVERE®/GUINEVERE®	●	●	●
	ECO LLOYD®/LLOYD®	●	●	●
	ECO SOIREE®/SOIREE®	●	●	●
	SUPREME® (elongated)	●	●	●
	ECO SUPREME®/SUPREME (round)	★	★	
	ECO SUPREME (elongated)	●	●	●
	SUPREME II	●	●	●
	ULTIMATE® (elongated)	●	●	●
	ULTIMATE (round)	★	★	
	ULTRAMAX® (elongated)	●	●	●
	ECO ULTRAMAX®/ULTRAMAX (round)	★	★	
	ECO ULTRAMAX (elongated)	●	●	●
	ULTRAMAX® II/ULTRAMAX II 1G	●	●	●
	WILLINGHAM®	●	●	●
TWO-PIECE TOILETS	AQUIA® (I, II)*	●	●	●
	CARROLLTON®	●	●	●
	CARUSOE® (elongated)	●	●	●
	CARUSOE (round)	★	★	
	CONNELLY®	●	●	●
	ECO CLAYTON®	●	●	●
	ECO DARTMOUTH®	●	●	●
	DRAKE® (elongated)	●	●	●
	ECO DRAKE/DRAKE (round)	★	★	
	ECO DRAKE® (elongated)	●	●	●
	DRAKE II/ DRAKE II 1G	●	●	●
	MARIS® *	●	●	●
	MERCER®	●	●	●
	ECO NEXUS®/NEXUS®	●	●	●
	PROMENADE® (elongated)	●	●	●
	ECO PROMENADE/PROMENADE (round)	★	★	
	ECO PROMENADE® (elongated)	●	●	●
	ROWAN® (elongated)	●	●	●
	ROWAN (round)	★	★	
	VESPIN® II/VESPIN II 1G	●	●	●
ECO WHITNEY®/WHITNEY®	●	●	●	
WALL-HUNG	AQUIA	●	●	●
	MARIS	●	●	●

* Extension kit THU9090R required

● SW554/SW574/SW584 elongated
★ SW553/SW573/SW583 round

● SW2034/SW2044 elongated
★ SW2033/SW2043 round

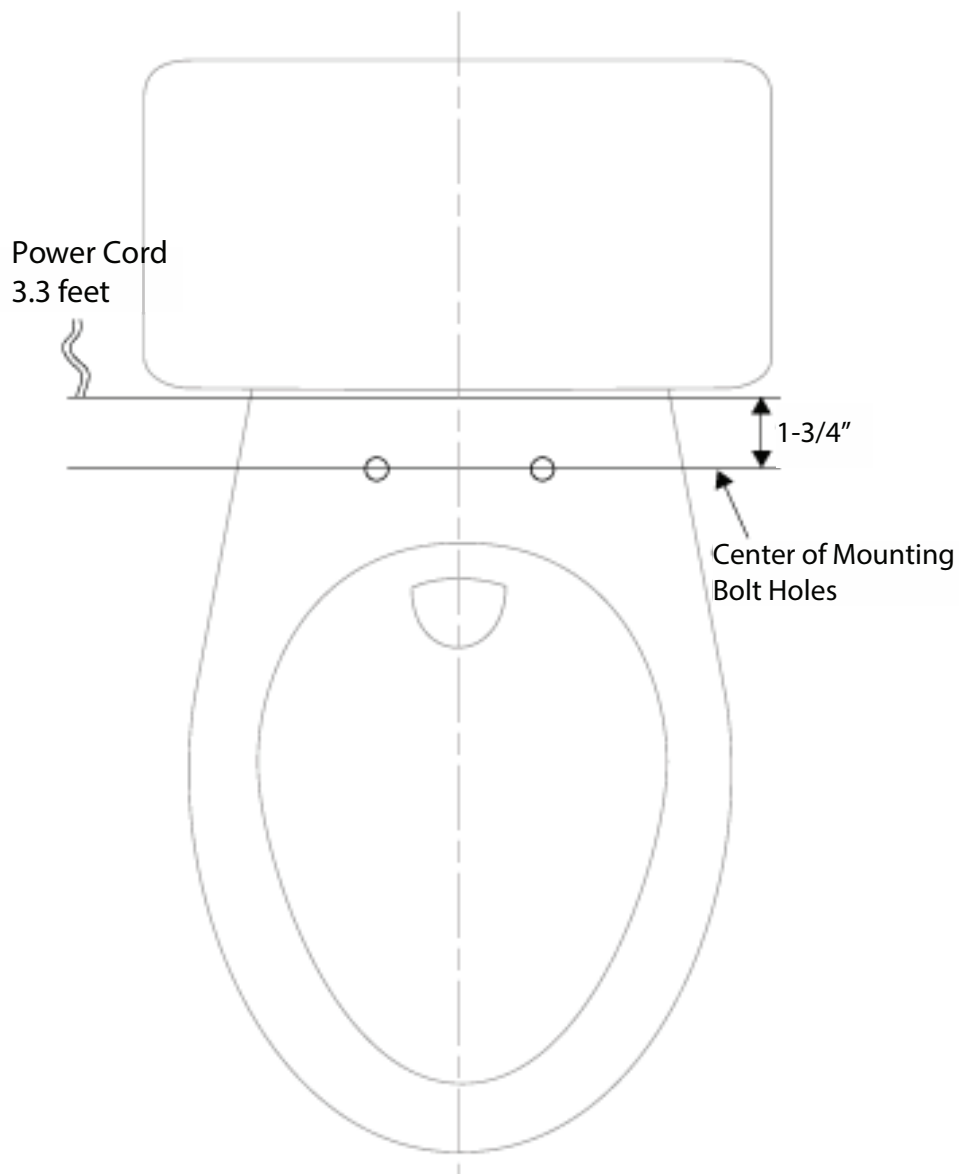
● SW2014/SW2024 elongated



WASHLET® *e*water+ S300e/S350e Fit Chart

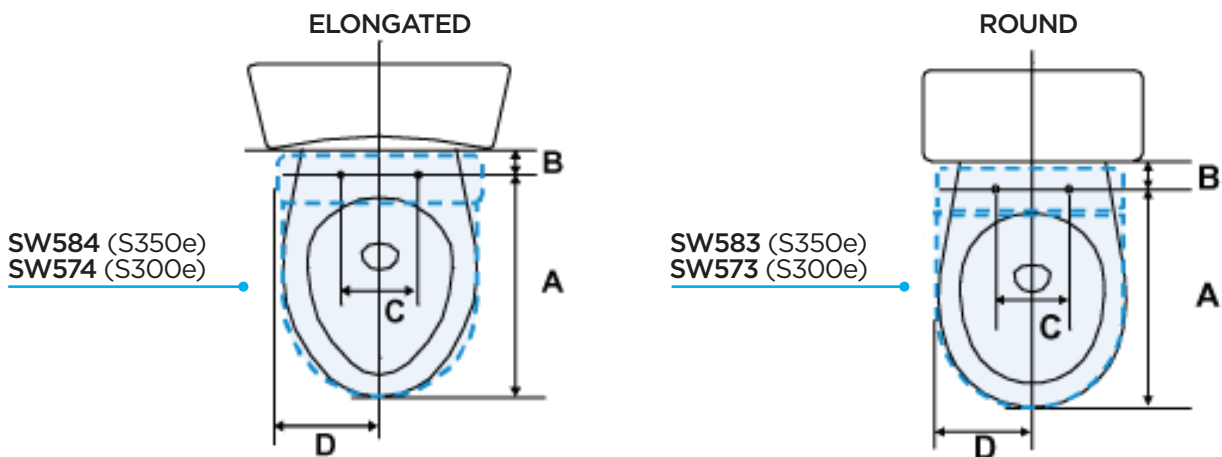
What if my Toilet isn't a TOTO Toilet? Will the Washlet still fit?

On a standard Toilet with no curves between the seat and tank, all you need is 1-3/4 inches of room past the mounting bolts.

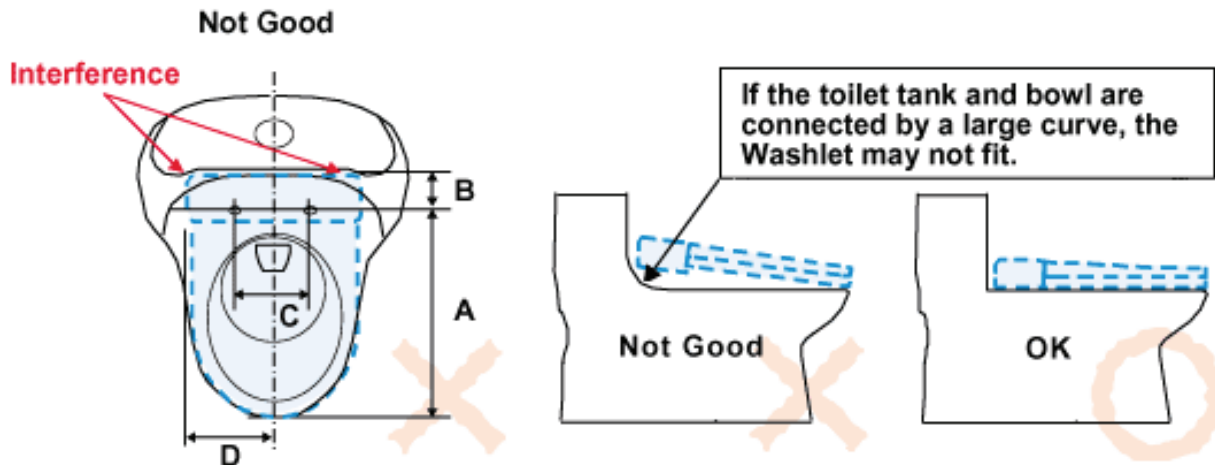




WASHLET® *e*water⁺ S300e/S350e Fit Chart



Note: Some styles of toilets may not allow the Washlet S300e/S350e to be installed due to certain contours near the tank and bowl area (see figures below). In the figure on the left side below, dimension D does not allow enough open space to accommodate the minimum width of 9 inches.



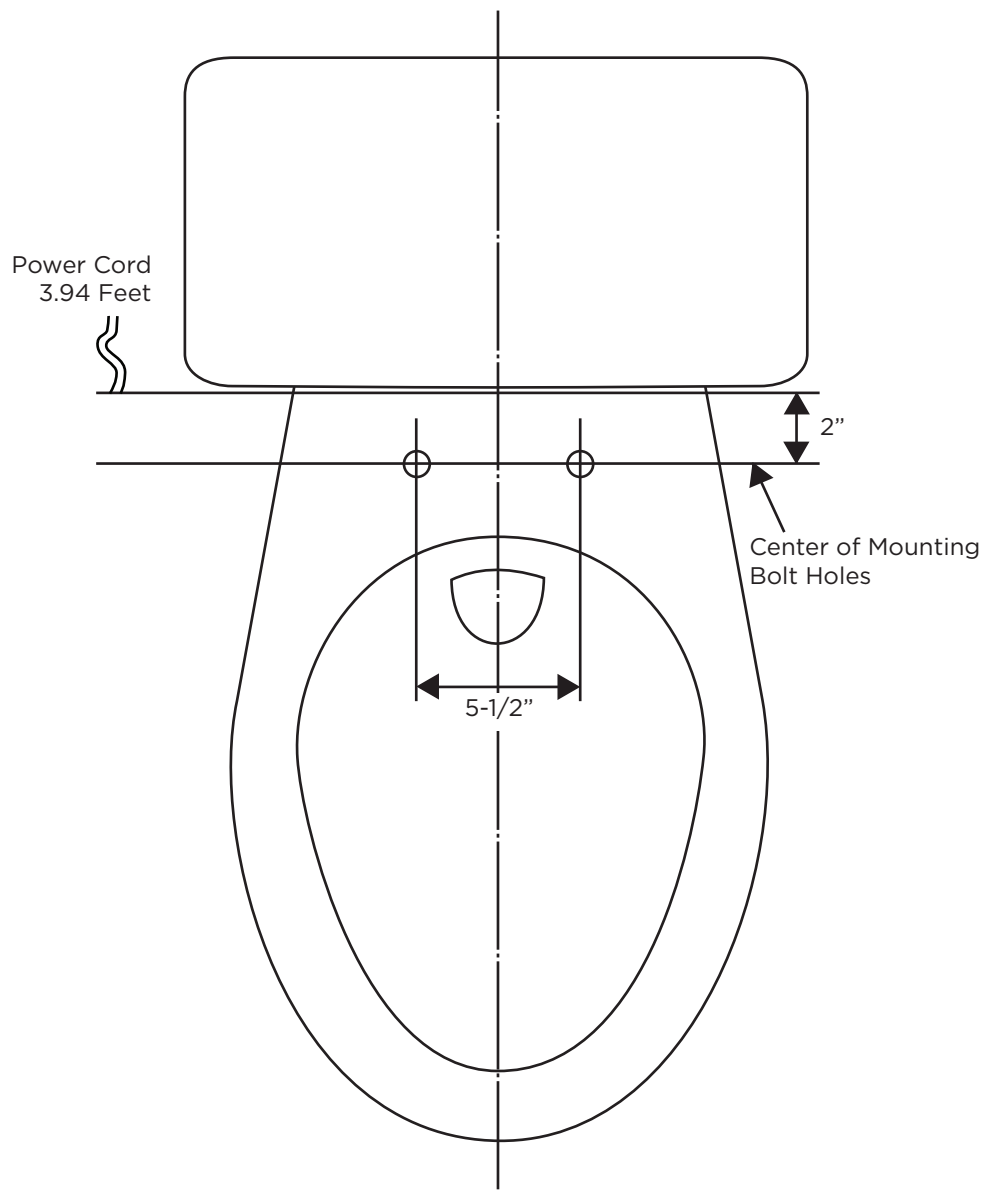
DIMENSIONS	DIMENSION REQUIREMENTS
A	Elongated - Approximately 18-1/2 inches (470 mm) Round - Approximately 16-1/2 inches (420 mm)
B	Minimum of 1-3/4 inches (45 mm) from front most face of tank to the center of mounting bolt holes
C	Approximately 5-1/2 inches (140 mm)
D	Minimum 8 inches (203 mm) of open space from center of Washlet S300e/S350e (or toilet to edge of Washlet S300e/S350e and flat bowl surface.

WASHLET® C200/A200 Fit Chart

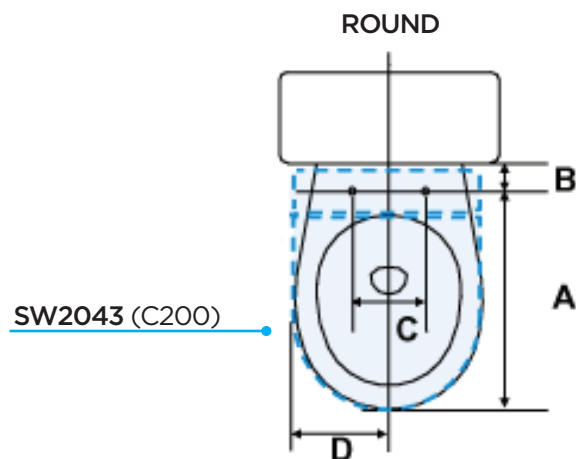
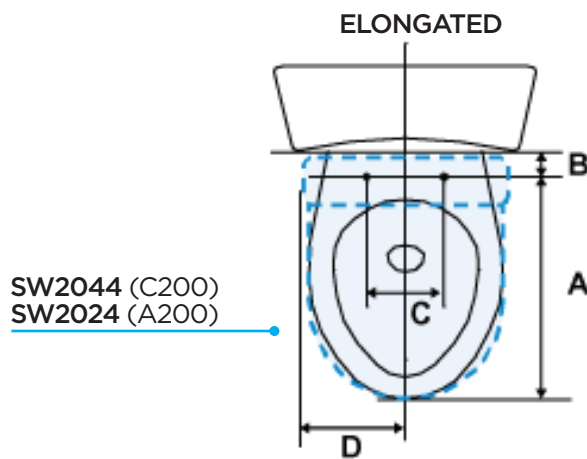


What if my Toilet isn't a TOTO Toilet? Will the Washlet still fit?

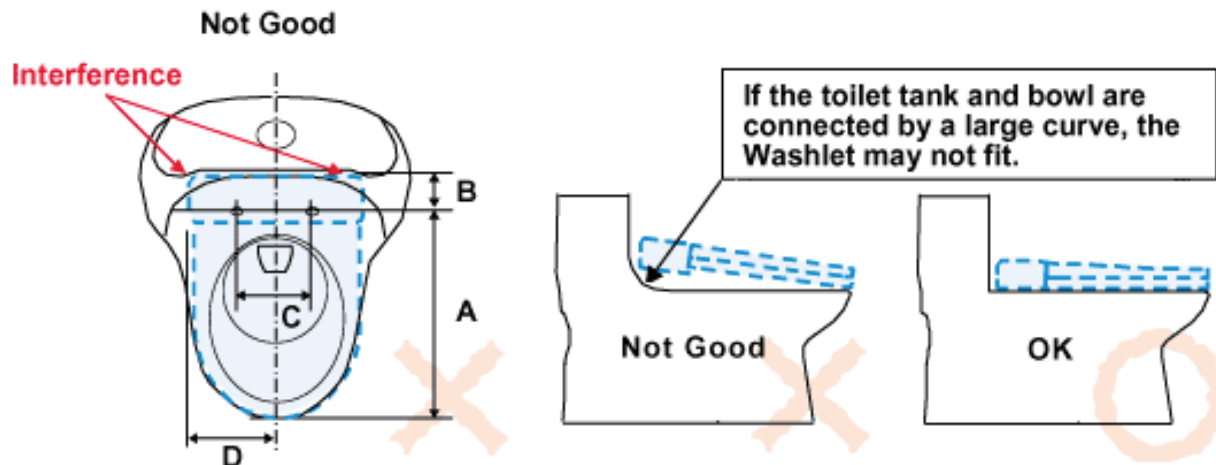
On a standard Toilet with no curves between the seat and tank, all you need is two inches of room past the mounting bolts.



WASHLET® C200/A200 Fit Chart



Note: Some styles of toilets may not allow the Washlet C200/A200 to be installed due to certain contours near the tank and bowl area (see figures below). In the figure on the left side below, dimension D does not allow enough open space to accommodate the minimum width of 9 inches.



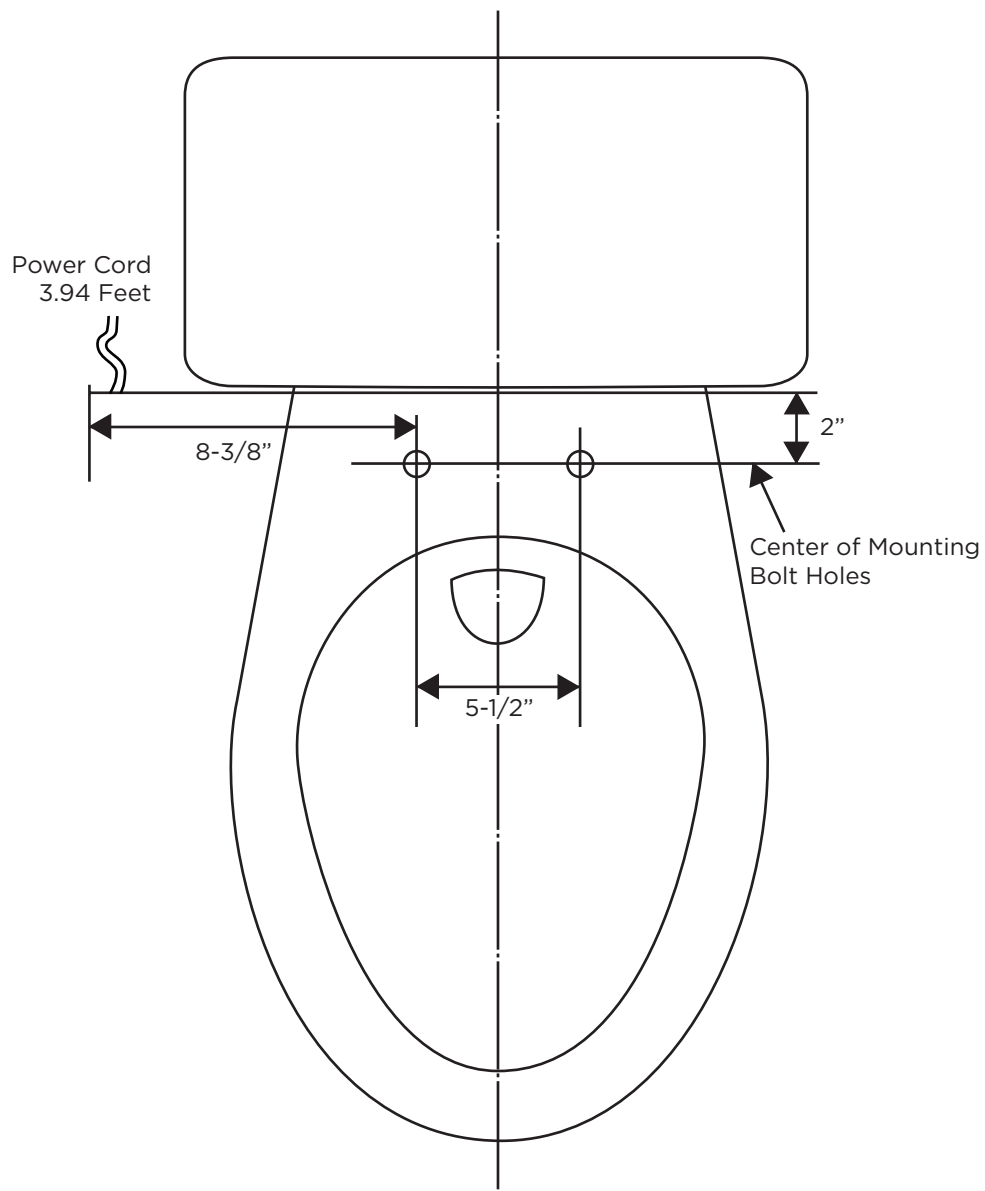
DIMENSIONS	DIMENSION REQUIREMENTS
A	Elongated - Approximately 18-7/8 inches (480 mm) Round - Approximately 16-7/8 inches (429 mm)
B	Minimum of 2 inches (50 mm) from front most face of tank to the center of mounting bolt holes
C	Approximately 5-1/2 inches (140 mm)
D	Minimum 9 inches (210 mm) of open space from center of Washlet C200 (or toilet to edge of Washlet C200/A200 and flat bowl surface.



WASHLET® C100/A100 Fit Chart

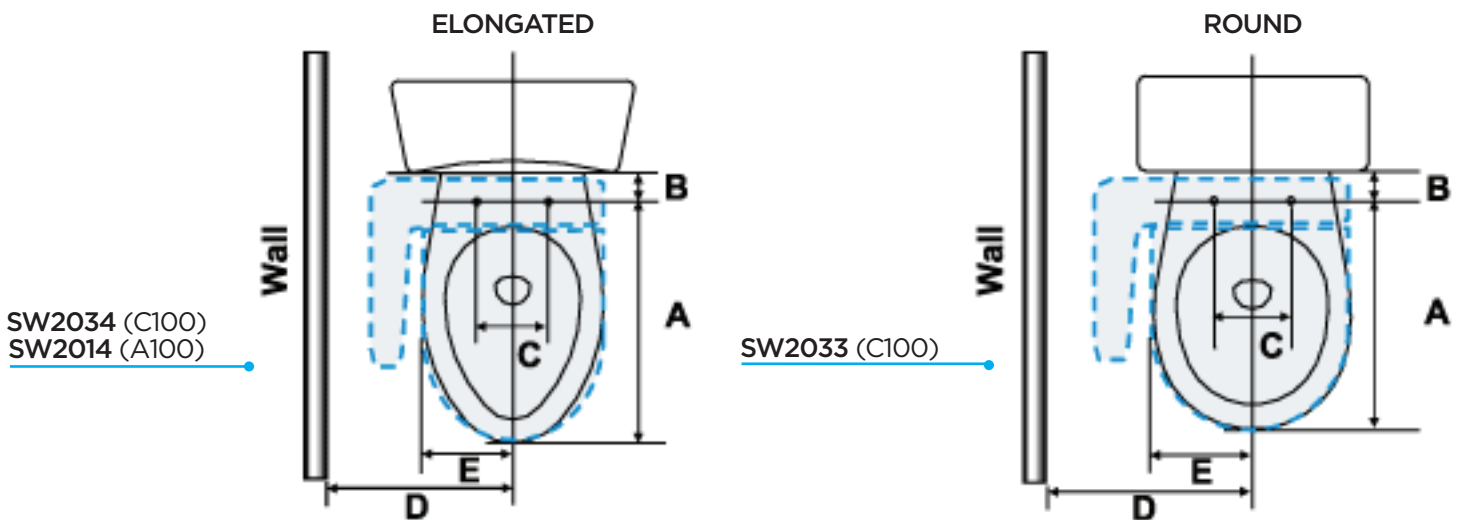
What if my Toilet isn't a TOTO Toilet? Will the Washlet still fit?

On a standard Toilet with no curves between the seat and tank, all you need is 2 inches of room past the mounting bolts.

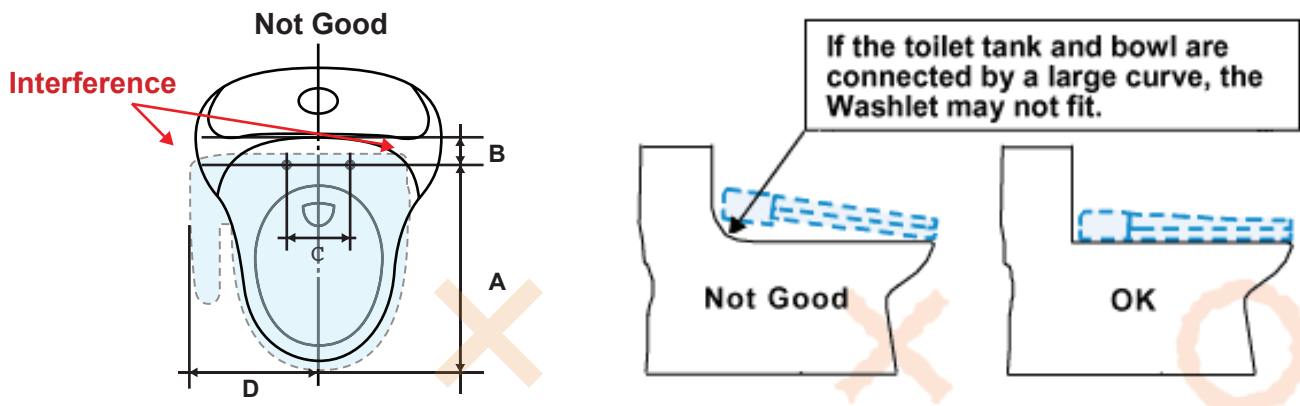




WASHLET® C100/A100 Fit Chart



Note: Some styles of toilets may not allow the Washlet C100/A100 to be installed due to certain contours near the tank and bowl area (see figures below). In the figure on the left side below, dimension D does not allow enough open space to accommodate the minimum width of 11 inches.



DIMENSIONS	DIMENSION REQUIREMENTS
A	Elongated - Approximately 20-7/8 inches (531 mm) Round - Approximately 18 7/8 inches (480 mm)
B	Minimum of 2 inches (50 mm) from front most face of tank to the center of mounting bolt holes
C	Approximately 5-1/2 inches (140 mm)
D	Minimum 11 inches (277 mm) of open space from center of Washlet C100/A100
E	Maximum 8-3/8 inches (213 mm) from center to edge of bowl surface