

# TOTO®

Perfection by Design

## TOTO'S® ECOPOWER FLUSH VALVES™ Sensor Urinal Flush Valve, Exposed - 1.0 GPF

To be specified:

### Sensor Toilet Flush Valve

- Complete Set, Nickel Chrome Plated Finish
  - TEU1GNC-12 (3/4" V.B.) - Left and Right Rough
  - TEU1GNC-22 (1-1/4" V.B.) - Left and Right Rough
- Complete set supplied with:
  - Vacuum Breaker & Angle Stop Set - VB9CP-12
    - 3/4" Angle Stop - 10077t4
    - 3/4" Vacuum Breaker - 10075t2
    - Spud Nut & Escutcheon - 71051Nt5
    - Sweat Solder Kit - TH559EDVSJ1
  - Vacuum Breaker & Angle Stop Set - VB9CP-22
    - 3/4" Angle Stop - 10077t4
    - 1-1/4" Vacuum Breaker - 10075t5
    - Spud Nut & Escutcheon - 71051Nt5
    - Sweat Solder Kit - TH559EDVSJ1
- Valve only, Nickel Chrome Plated Finish
  - TEU1GNC - Left and Right Rough

Z-4000-J - Adapter for Ground Joint Angle Stops

Meets the American Disabilities Act Guidelines and ANSI A117.1 requirements for people with disabilities.



TEU1GNC-12

### AUTOMATIC FLUSHING SYSTEM

TOTO, the world leader in advanced plumbing systems, provides sensor operated flush valves for facilities demanding the finest sanitation equipment for busy restrooms. "Hands-free" technology effectively reduces unsanitary conditions from unflushed fixtures.

### SELF-GENERATING POWER SYSTEM

TOTO's new technology of automatic generator flush valves offer easy installation without the cost and downtime required to install power supplies and wiring for each valve. A hydro-powered turbine charges the power supply during usage eliminating the need for a battery replacement or consumption of external power for up to 10 years.

### SUPERIOR PISTON VALVE

TOTO's piston valve technology is a marked improvement over traditional rubber diaphragm type valves. Longer piston travel and SELF-CLEANING 360° debris screen reduce common problems such as continuous running and flooding. The piston seat itself will not warp or mis-seal thus, significantly reducing repair and maintenance costs. A micro-porous cup seal keeps the piston self-lubricated upon each activation with the incoming water supply.

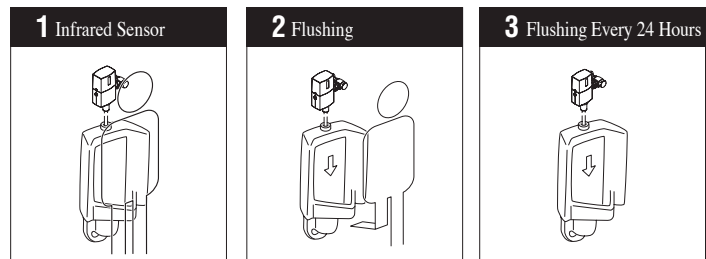
### NEUTRAL ROUGH-IN

TOTO's sensor flush valve has neutral rough-in, it can be used as right or left rough-in with no modification.

### FUZZY LOGIC MICROPROCESSOR

"Fuzzy logic" controlled flushing offers the ultimate water conservation without sacrificing performance. The new TOTO urinal flush valves utilize a fuzzy logic control microprocessor which measures the duration and frequency of use, and flushes an appropriate volume (0.5 – 1.0 gpf). In facilities with periods of frequent use, water conservation is maximized with the use of fuzzy logic technology.

### OPERATING PROCEDURE A sanitary environment without using the hands.



The infrared sensor detects a user standing in front of the urinal within 2 ft (600mm).

When the user stays in place longer than 6 seconds then moves away, the controller sends a signal to the operating unit to automatically trip the flush valve.

If toilet is not used, the system automatically flushes every 24 hours as a maintenance and hygienic precaution.




Reliance Commercial Line

# TOTO'S® ECOPOWER FLUSH VALVES™

## Sensor Urinal Flush Valve, Exposed - 1.0 GPF

### SPECIFICATIONS

<b>Product</b>	TEU1GNC– Valve Only, Left and Right Rough, Chrome Plated Finish TEU1GNC-12- Complete Set (3/4" V.B.), Left and Right Rough, Chrome Plated Finish TEU1GNC-22- Complete Set (1-1/4" V.B.), Left and Right Rough, Chrome Plated Finish
<b>Power supply</b>	<b>Hydro-Power Charge</b> , 10 years based on 2,000 cycles per month (Backup battery: 4 years at 4,000 cycles per month without recharging)
<b>Supply water pressure</b>	15 psi - 125 psi*
<b>Water supply pipe</b>	3/4" NPT
<b>Discharge quantity</b>	Factory setting at 1.0 GPF/3.8 LPF
<b>Ambient temperature</b>	32°-104°F (0°-40°C)
<b>Trap seal protection</b>	Automatic flushing once every twenty-four (24) hours, if not used
<b>Detection time</b>	Factory setting at six (6) seconds minimum
<b>Detection range</b>	Self-adjusting to environment
<b>Warranty</b>	Limited three (3) year warranty on all component parts. Details available upon request.
<b>Listings</b>	 A.S.S.E. 1037

These dimensions and specifications are subject to change without notice.

\*Water pressures over 80 psi are not recommended for most plumbing fixtures.

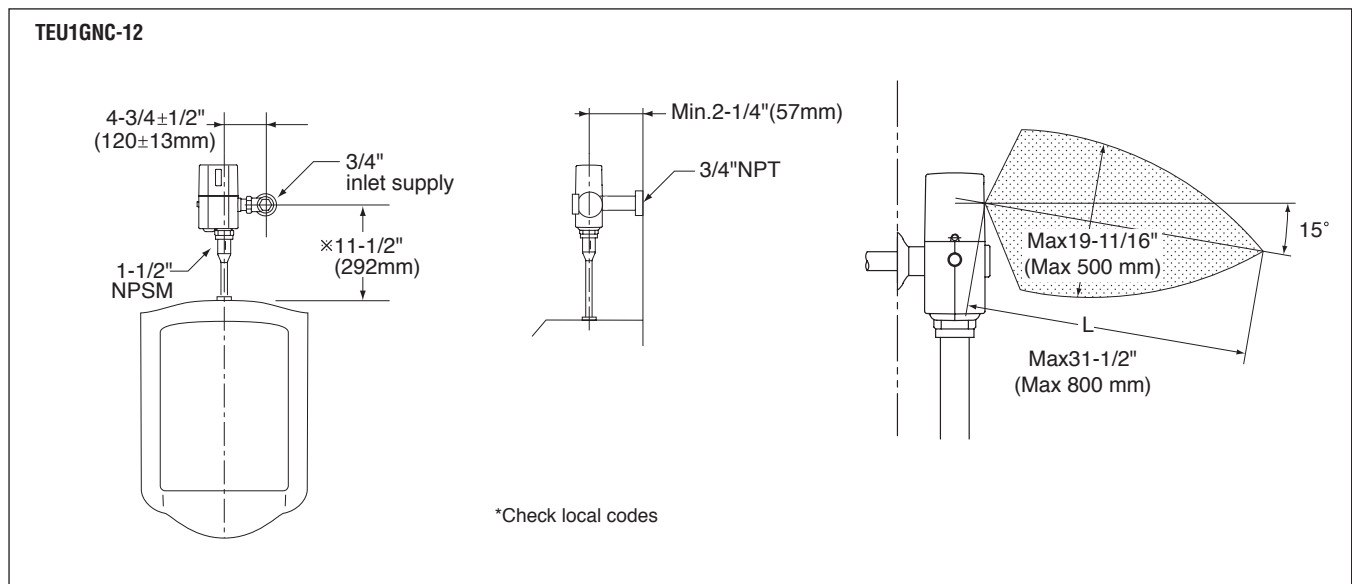
U.S. Patent Pending

### SUGGESTED ENGINEERING SPECIFICATION:

TOTO Model No. \_\_\_\_\_  
Automatic infrared sensor activated, piston urinal flush valve.  
Heavy-duty zinc die cast cover with nickel chrome finish.  
Vandal resistant hex head screws. Automatic sensor adjustment  
on installation. Manual override button. Piston valve and

solenoid with self-cleaning mechanism. Automatic flush every twenty four hours if not used. Angle stop and vacuum breaker included with accessories. Through the use of TOTO's® EcoPower Flush Valves™, using the valve 2000 times a month will fully recharge the valve for up to 10 years.

### DIAGRAM:



**TOTO®**  
Perfection by Design

TOTO U.S.A., INC. • 1155 Southern Road, Morrow, GA 30260  
Tel. (888) 295-8134 • Fax. (770) 282-8701 • www.totousa.com

Printed in U.S.A. © TOTO LTD. 04/04 #H80021

Printed on recycled paper 

REV 04/04