

aireRyder

LIMITED LIFETIME WARRANTY

Model No.: FN52241 / FN52243

aireRyder ORIGINAL CEILING FAN LIMITED LIFETIME WARRANTY

The limited lifetime warranty covers this ceiling fan, for residential use by the original purchaser, against defects in material or workmanship as follows:

If your aireRyder Ceiling Fan motor fails at any time during the lifetime of the original purchaser due to defects in material or workmanship, we will provide a replacement part free of charge.

If your Fan motor fails at any time within one year after the original date of sale to the original purchaser due to defects in material or workmanship, we will provide labor to repair the defect, with the exception of take down/reinstallation, free of charge. The original purchaser will be responsible for all labor costs after this one year period.

If no replacement parts are provided for any part of your Fan motor that fails at any time during your lifetime due to defects in material or workmanship, we will refund the original purchase price of your Fan.

If your Fan blades, reverse switch, or any accessory, except glass globes and light bulbs, fails at any time within one year after the original date of purchase due to a defect in material and workmanship, we will repair or, if we choose, replace the defective blades, switch, or accessory free of charge, with the exception of take down/reinstallation services.

If the original purchaser ceases to own the Fan, this warranty and any implied warranty, including but not limited to any implied warranty of merchantability or fitness for a particular purpose, become void. This warranty and any implied warranty, including but not limited to any implied warranty of merchantability or fitness for a particular purpose, do not cover glass globes, light bulbs, or finish on any metal portions of the Fan.

This warranty is in lieu of express warranties. The duration of any implied warranty of merchantability or fitness for a particular purpose, with respect to any aireRyder Ceiling Fan motor, blades, switch, or accessories, is expressly limited to the period of the express warranty set forth above for such motor, blades, switch, or accessories.

This warranty excludes defects, malfunctions, or failures of any aireRyder Ceiling Fan that are caused by repairs by persons not authorized by us, use of parts or accessories not authorized by us, mishandling, improper installation, modifications or damage to the Fan while in your possession, or unreasonable use, including failure to provide necessary maintenance.

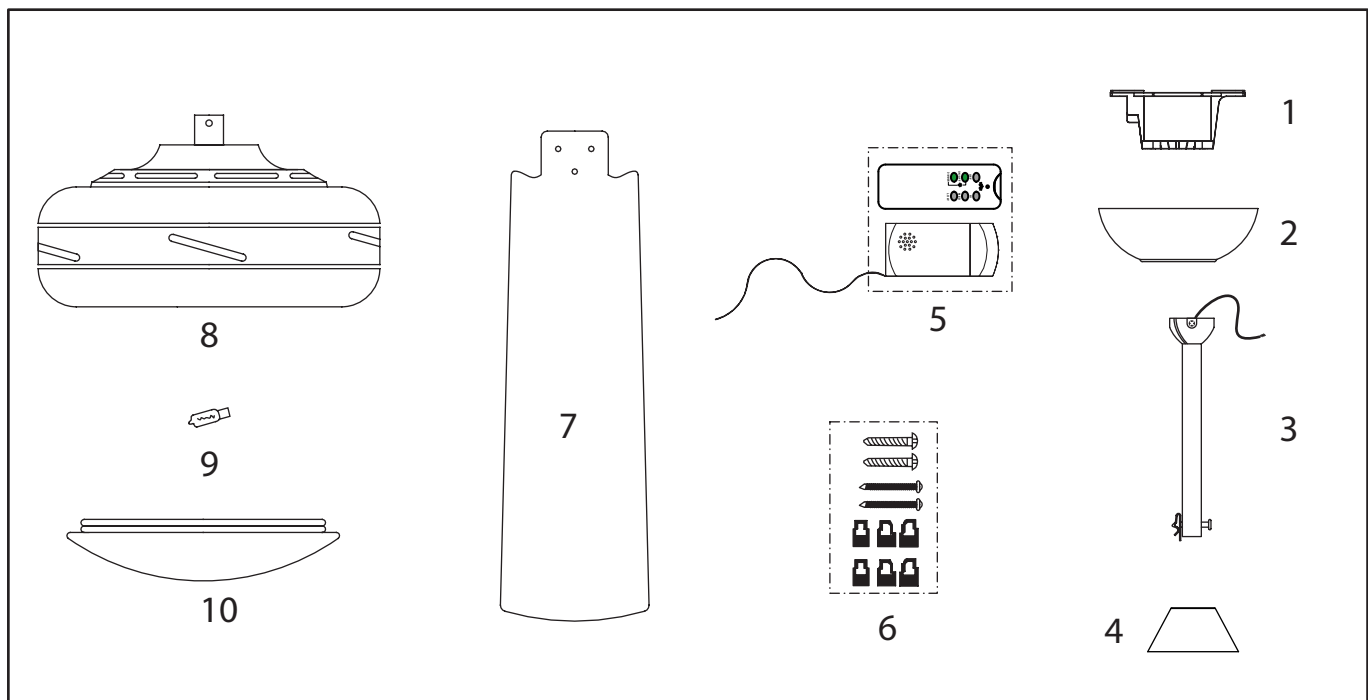
In no event shall aireRyder Fan be liable for consequential or incidental damages.

Some states do not allow the exclusion or limitation of consequential or incidental damages, in which case the above limitation or exclusion may not apply.

This warranty gives you specific legal rights and you may also have other rights which vary from state to state.

aireRyder™

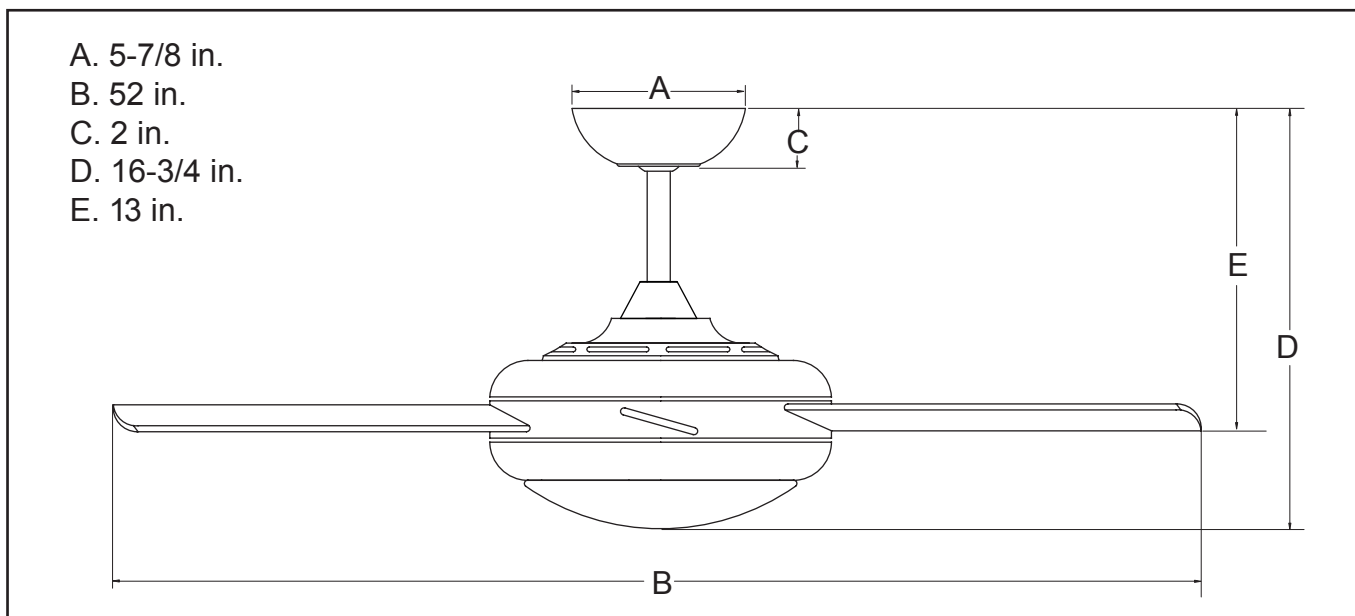
Package Contents:



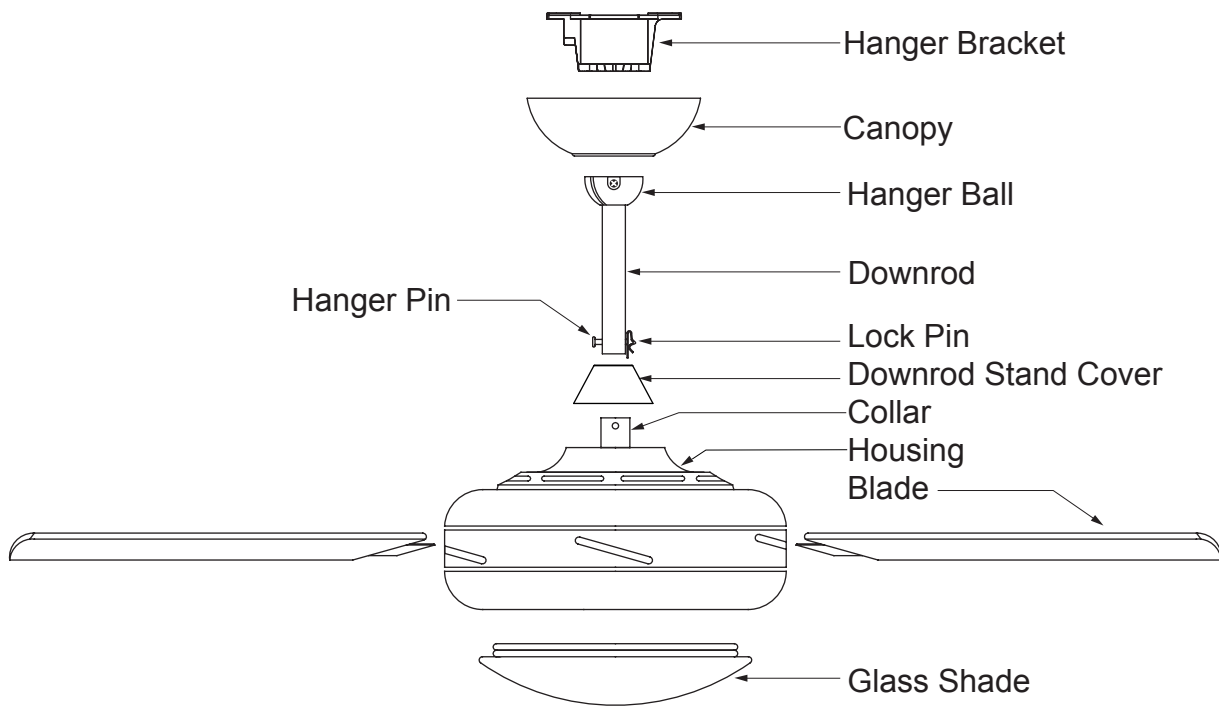
Unpack your fan and check the contents. You should have the following items.

- 1.) Hanger Bracket
- 2.) Canopy
- 3.) Downrod Set (Includes Hanger Ball, 6 in. Downrod, Hanger Pin & Lock Pin)
- 4.) Downrod Stand Cover
- 5.) Remote Control Set (Includes Transmitter & Receiver)
- 6.) Assembly Kit
- 7.) Fan Blade (X5)
- 8.) Fan Motor Assembly
- 9.) Light Bulb
- 10.) Glass Shade

Dimension Reference (Installed with 6 in. Downrod)



Exploded View Detail



Safety Instructions

READ ALL SAFETY INFORMATION AND INSTALLATION INSTRUCTIONS BEFORE YOU BEGIN INSTALLING THE FAN. SAVE INSTRUCTIONS.

- All screws on the fan must be checked and re-tightened where necessary before installation.
- To reduce the risk of personal injury, do not bend the blade brackets when installing the brackets, balancing the blades or cleaning fan. Do not insert foreign objects in between rotating fan blades.
- Before changing the fan direction, turn off the fan and wait for the fan blades to stop completely.
- If a stationary appliance is not provided with a supply cord and a plug, or with other means for disconnection from the main supply having a contact separation of at least 3 mm in all poles, then the means for disconnection must be incorporated in the fixed wiring in accordance with the wiring rules.
- NOTE: The safeguards provided by these safety instructions and by any separate installation instructions are not meant to cover all possible conditions and situations that may occur. It must be understood that common sense, caution and care are factors which can not be built into this product. These factors must be supplied by the person(s) installing, caring for and operating the fan.

WARNING

- TO AVOID RISK OF ELECTRIC SHOCK, BE SURE TO SHUT OFF POWER AT THE MAIN FUSE OR CIRCUIT BREAKER BOX BEFORE INSTALLING OR SERVICING THIS FIXTURE. TURNING OFF THE ELECTRICAL POWER BY USING THE LIGHT SWITCH IS NOT SUFFICIENT TO PREVENT ELECTRICAL SHOCK.
- TO REDUCE THE RISK OF INJURY, INSTALL THE FAN SO THAT THE BLADES ARE AT LEAST 7 FEET (2.1 METERS) ABOVE THE FLOOR AND AT LEAST 18 INCHES (0.5 METERS) FROM THE TIP OF THE BLADES TO THE WALL.
- TO REDUCE THE RISK OF FIRE, ELECTRIC SHOCK, OR PERSONAL INJURY, MOUNT TO AN OUTLET BOX MARKED "ACCEPTABLE FOR FAN SUPPORT" AND USE MOUNTING SCREWS PROVIDED WITH THE OUTLET BOX.
- THE INSTALLATION MUST BE IN ACCORDANCE WITH THE NATIONAL ELECTRICAL CODE, ANSI/NFPA 70-1999 AND LOCAL CODES. IF YOU ARE UNFAMILIAR WITH INSTALLING OR SERVICING ELECTRICAL WIRING, SEEK THE SERVICES OF A QUALIFIED LICENSED ELECTRICIAN.
- SUITABLE FOR USE WITH SOLID STATE SPEED CONTROLS.

INSTALLATION INSTRUCTIONS

IMPORTANT:

- BEFORE YOU BEGIN INSTALLING THE FAN, CAREFULLY READ ALL INFORMATION ON THE SEPARATE SHEET "SAFETY INSTRUCTIONS" AS WELL AS THE "INSTALLATION INSTRUCTIONS" ON THE FOLLOWING PAGES. IF IN DOUBT, CONSULT A QUALIFIED ELECTRICIAN.
- THIS FAN MUST BE INSTALLED WITH A WALL CONTROL/SWITCH.
- SAVE ALL INSTRUCTIONS.

NOTE: The fan weight is 20 lb (9 kg). Be sure the outlet box you are using is securely attached to the building structure and can support the full weight of the fan. Failure to do so can result in serious injury.

Installation Steps:

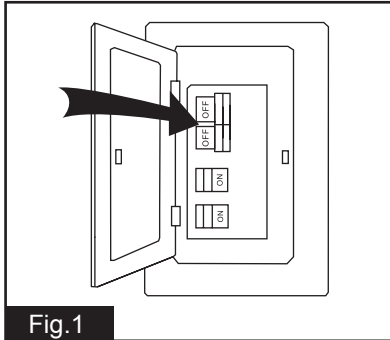


Fig. 1

Turn OFF the electric power at the main fuse or circuit breaker box.

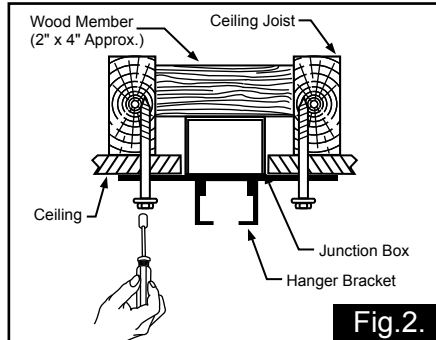


Fig. 2.

Tighten the hanger bracket to the outlet box with two mounting screws. (**Make sure the outlet box is securely installed so that it will be able to support at least the fan weight.**) Attach the safety cable hook to the ceiling with the dry wall screw and washer, and make sure the safety cable hook is covered by the fan canopy. **WARNING: MOUNT ONLY TO AN OUTLET BOX MARKED "ACCEPTABLE FOR FAN SUPPORT"!**

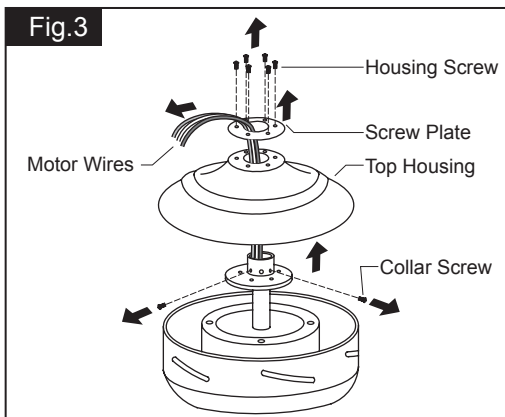
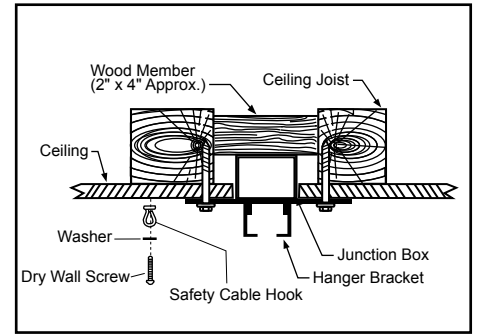


Fig. 3

Remove six Housing Screws and two Collar Screws. Take care not to drop the screws or washers into the fan housing. Push the Screw Plate and the Top Housing upward, and slide them down the Motor Wiring until they are out of the way.

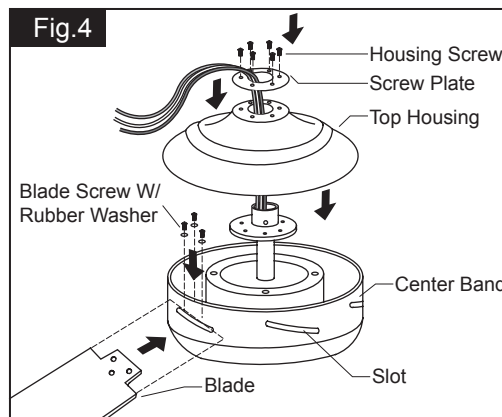


Fig. 4

Insert the Blade through the slot on the Center Band. Align holes and fasten Blade to the motor with Blade Screws and rubber washers. Repeat for remaining Blades. After all Blades are fastened securely to the motor, restore the Top Housing and Screw Plate onto the motor and fasten it with the six Housing Screws.

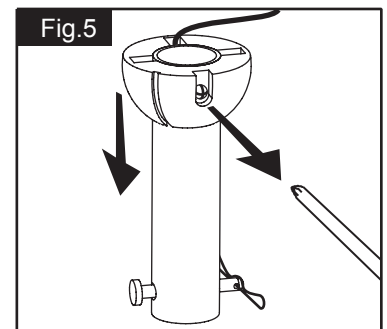


Fig. 5

Remove the Hanger Ball screw, then slide the Hanger Ball downwards.

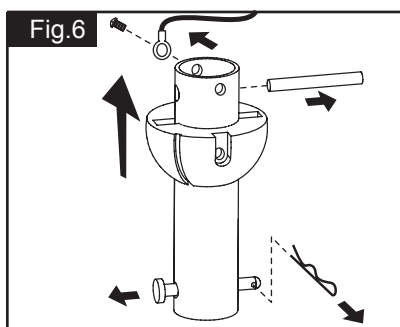


Fig. 6

Slide the pin out. Remove the Ground Wire screw. Remove the Lock Pin and take off the Hanger Pin. Remove the Hanger Ball.

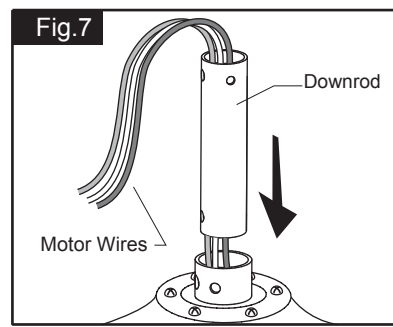


Fig. 7

Thread the Motor Wires through the Downrod.

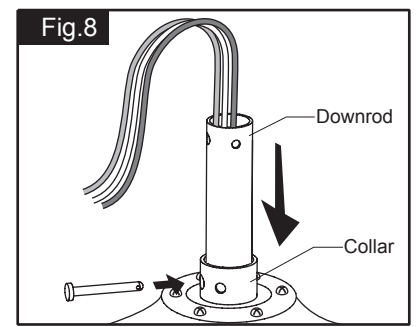
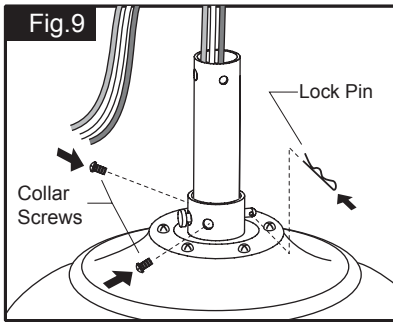
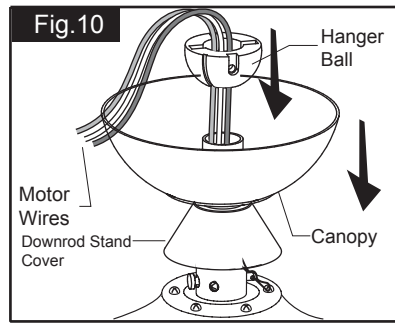


Fig. 8

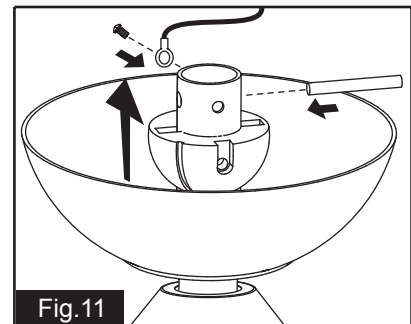
Insert the Downrod into the Collar. Slide Hanger Pin through holes of Collar and Downrod.



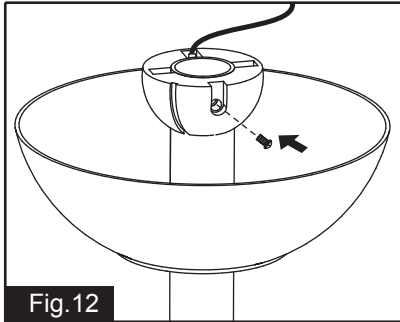
Insert and tighten the two Collar Screws. Slide Lock Pin into Hanger Pin until it locks into position.



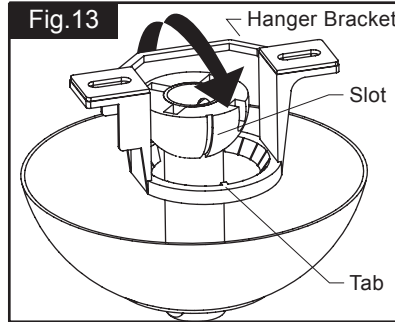
Thread the Motor Wires through the Downrod Stand Cover and Canopy, as shown. Then thread the wires through the Hanger Ball.



Tighten the Ground Wire Screw. Slide the pin in. Slide the Hanger Ball up into position.



Tighten the Hanger Ball Screw to the Downrod.



Hang the fan on Hanger Bracket, and make sure the slot of Hanger Ball is snapped into the chip of Hanger Bracket exactly.

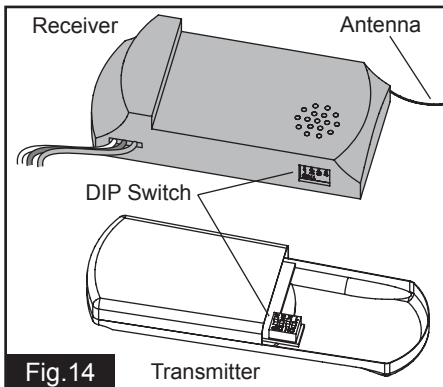


Fig. 14 Transmitter

There is a frequency-setter respectively in the transmitter and receiver. This "DIP Switch" is a 4 key unit (Fig. 14). All keys were set at "ON" position in the beginning. Set the keys to a different code. Make sure the same numbered keys are switched "ON" for both DIP Switches (Fig. 14a). Take note that the "ON" position may have different orientation in each.

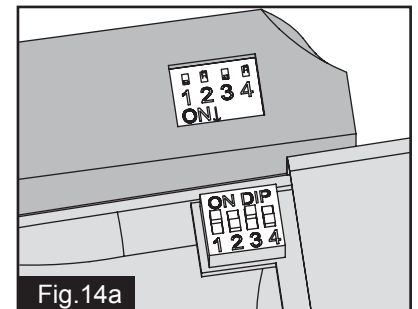


Fig. 14a

Code example:
1-ON 2-OFF 3-ON 4-OFF
on both DIP Switches.

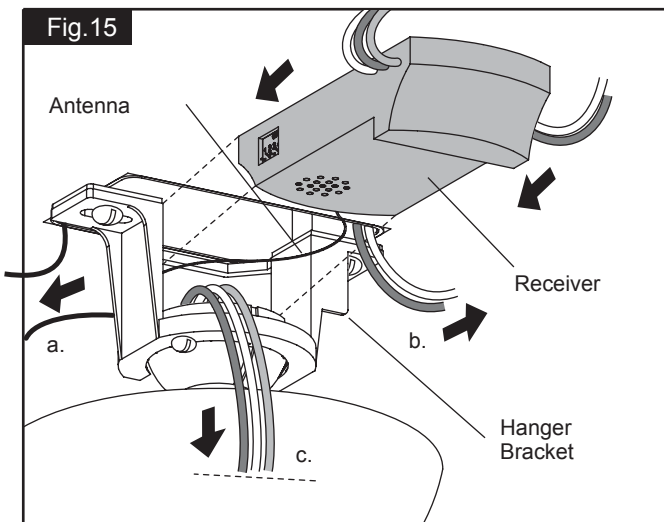
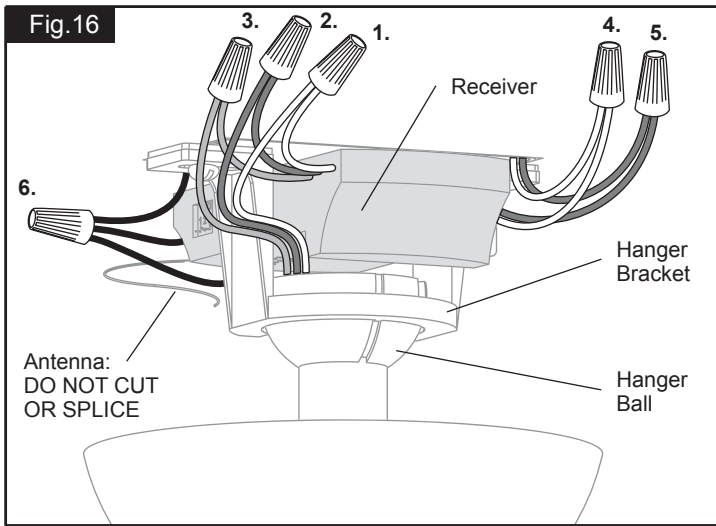


Fig. 15

Move Ground Wires (a), Outlet Box wires (b), and Motor Wires (c) away from the center of the Hanger Bracket. Then slide Receiver through Hanger Bracket as shown, Antenna end first, until it is centered. Finally, cut Motor Wires (c) to length needed for connections.

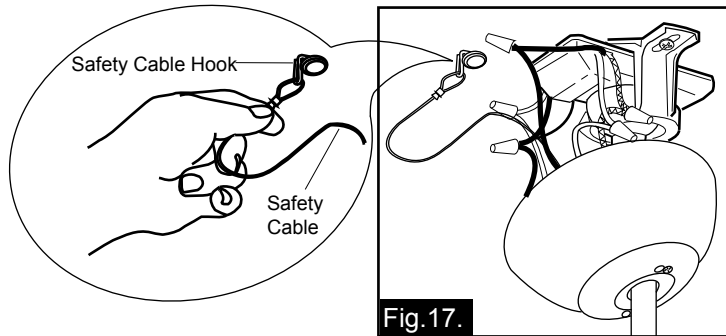


Make wire connections:

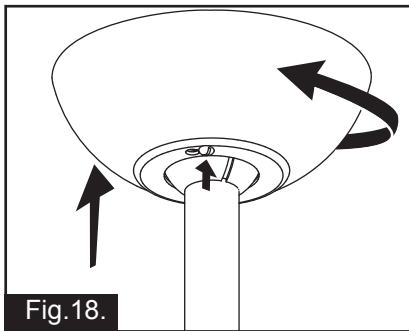
- 1) The Motor white wire to the white "To Motor N" wire from Receiver with a wire nut.
- 2) The Motor black wire to the black "To Motor L" wire from Receiver with a wire nut.
- 3) The Motor blue wire to the blue "For Light" wire from Receiver with a wire nut.
- 4) The white wire from Outlet Box to the white "AC in N" wire from Receiver with a wire nut.
- 5) The red wire from Outlet Box to the black "AC in L" wire from Receiver with a wire nut.
- 6) The ground wire from Outlet Box to the green ground wire from the Hanger Ball and the green ground wire from the Hanger Bracket with a wire nut.

Make sure all of wire nuts are connected firmly.

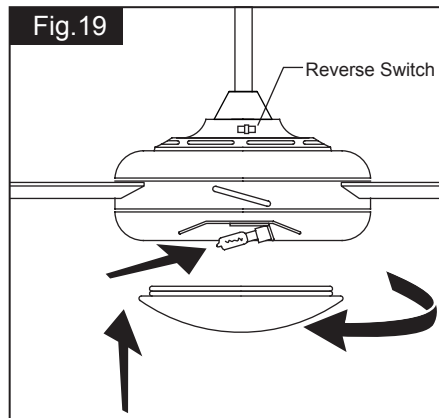
*** Tuck all wire nuts and wires carefully up into the Outlet Box, EXCEPT antenna, which should remain outside Outlet Box.



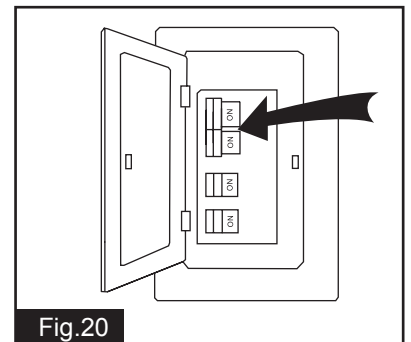
➔ Hang the safety cable into the safety cable hook. (See Fig.17)



Tuck the Antenna into the Canopy. Push the Canopy upwards, lining up the keyholes on the bottom with the screws on the Hanger Bracket. Twist the Canopy to lock it in place, then tighten the screws to secure it.



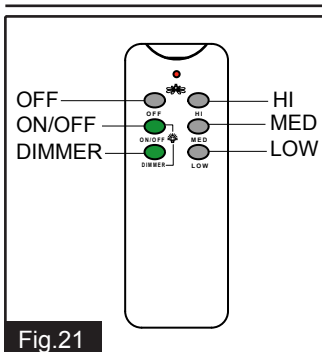
Install the bulb. Push the Glass upwards and turn to install. Use the reverse switch to have the Fan turn in the opposite direction.



Turn ON the electric power at the main fuse or circuit breaker box.

Light Switch Control Function

This remote control option will allow the use of a standard wall switch (connected to the fan power) to control the ceiling fan and light kit.



Install the battery to the transmitter (9V, not included).

- * Press "HI" to turn on the fan at high speed.
- * Press "MED" button to turn the fan in medium speed.
- * Press "LOW" button to turn the fan in low speed.
- * Press "OFF" button to turn off the fan.
- * Press and release the "ON/OFF" button quickly to turn on or off the light.
- * Press and release the "DIMMER" button to adjust the illumination of light.

Light Control:

Fan Control:

Flip the wall switch from ON to OFF and then back to ON quickly (Less than 0.5 seconds) to change the light setting. The receiver will emit a short "beep" when the light setting has been successfully changed. The lights will cycle from current setting downward, and then to high setting.

Flip the wall switch from ON to OFF and then back to ON Slower (More than 0.5 seconds) to change the fan speed. The speeds will cycle from current setting downward, and then to the high setting. The receiver will emit a series of "beeps" when the fan speed has been successfully changed to:

- High - 4 long "beeps"
- Medium - 3 long "beeps"
- Low - 2 long "beeps"
- Slow Low - 1 long "beep"
- Stop - 4 short "beeps"

Trouble Shooting Guide

If you have difficulty operating your new ceiling fan, it may be the result of incorrect assembly, installation or wiring. In some cases, these installation errors may be mistaken for defects. If you experience any faults, please check this Trouble Shooting Guide. If a problem cannot be remedied or you are experiencing difficulty in installation, please call our Customer Service Department.

| TROUBLE | SUGGESTED REMEDY |
|----------------------------|---|
| 1. If fan does not start: | <ol style="list-style-type: none">1. Check main and branch circuit fuses or circuit breakers.2. Check line wire connections to fan and switch wire connections in switch housing. CAUTION: Make sure main power is turned off.3. Make sure forward/reverse switch is firmly in up or down position. Fan will not operate when switch is in the middle.4. Make sure that the wall controller is turned "ON". |
| 2. If fan sounds noisy: | <ol style="list-style-type: none">1. Make sure all screws in motor housing are snug. (not over tightened)2. Make sure the screws which attach the fan blade holder to the motor are tight.3. Make sure wire nut connectors in switch housing are not rattling against each other or against the interior wall of the switch housing. CAUTION: Make sure main power is turned off before entering switch housing.4. If using an optional ceiling fan light kit, check to be sure the screws securing the glassware are finger tight. Check to be sure light bulb is tight in socket and not touching glass shade(s). If vibration persists from glass, remove glass and install a 1/4 in. wide rubber band on glass neck to act as an insulator. Replace glass and tighten screws against rubber band.5. Some fan motors are sensitive to signals from Solid State variable speed controls. DO NOT USE a Solid State variable speed control.6. Allow "break-in" period of 24 hours. Most noises associated with a new fan will disappear after this period. |
| 3. If fan wobbles: | <p>All blades are weighed and grouped by weight. Natural woods vary in density which could cause the fan to wobble even though all blades are weight-matched. The following procedures should eliminate most of the wobble. Check for wobble after each step.</p> <ol style="list-style-type: none">1. Check that all blades are screwed firmly into blade holders.2. Check that all blade holders are tightened securely to motor.3. Make sure that canopy and mounting bracket are tightened securely to ceiling junction box and junction box is mounted firmly to ceiling joist.4. Most fan wobble problems are caused when blade levels are unequal. Check this level by selecting a point on the ceiling above the tip of one of the blades. Keeping measure within 1/8 in. rotate the fan until the next blade is positioned for measurement. repeat for each blade. If all blade levels are not equal, you can adjust blade levels by the following procedure. To adjust a blade tip down, insert a washer (not supplied) between the blade and blade holder at the screw closest to the motor. To adjust a blade tip up, insert washer (not supplied) between the blade and blade holder at the two screws farthest from the motor.5. If blade wobble is still noticeable, interchanging two adjacent (side by side) blades can redistribute the weight and possibly result in smoother operation. |
| 4. If light does not work: | <ol style="list-style-type: none">1. Check blue wire from fan to make sure it is connected to hot wire from house.2. Check for loose or disconnected wires in fan switch housing.3. Check for loose or disconnected wires in light kit.4. Check for faulty light bulbs. CAUTION: Make sure main power is turned off before entering switch housing. |