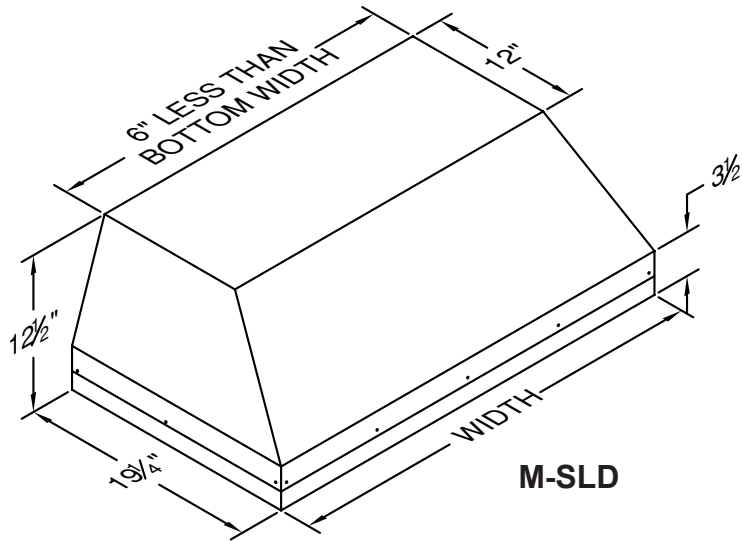


Vent Hood® WALL MOUNT LINER INSERT SPECIFICATIONS

M-SLD LINER This model is available with halogen lighting. M600 and M1200 blowers are sold separately. Features a stainless steel fascia and baffle filters and a gunsmoke powder-coated canopy.

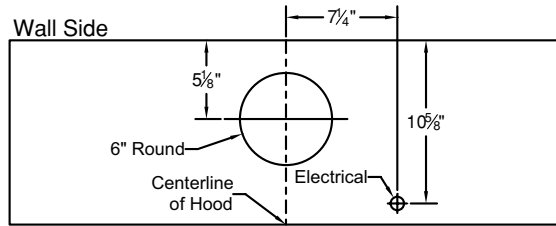
Available Widths

28 3/8", 34 3/8", 40 3/8",
46 3/8", 52 3/8", 58 3/8",
& 64 3/8"



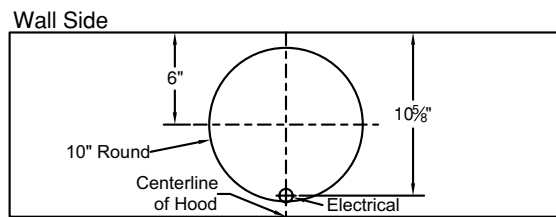
M-SLD

M600 Connection Diagram



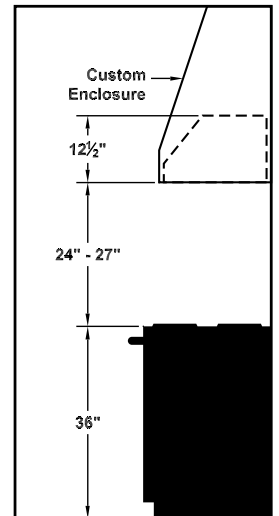
**Single Blower
(Top View)**

M1200 Connection Diagram

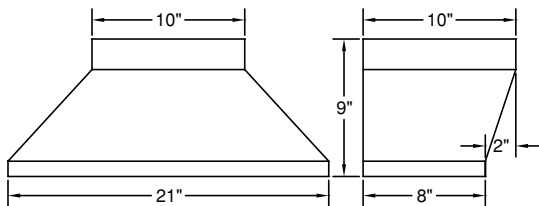


**Dual Blower
(Top View)**

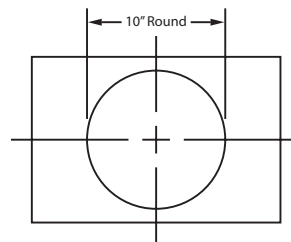
Recommended Mounting Height*



*Exceeding recommended mounting height may compromise performance.



**VP566 Transition (Included)
With M1200 Dual Blower**



**VP566 transition centers
outlet over top of hood**

SPEED	CFM @ 0.1" S.P.	
	M600*	M1200
1	240	420
2	300	645
3	500	865
4	625	1015

* A special harness is available that limits the M600 blower to 300 CFM.

Electrical/Mechanical Specifications For Blower Units

Model	Volts	Amps*	Hz	CFM SP@0.0"	CFM SP@0.1"	CFM SP@0.25"	CFM SP@0.5"	CFM SP@0.75"	Minimum Round Duct Size
M600 Single	115	5.0	60	630	625	615	600	580	6" (28 in. ²)
M1200 Dual	115	10.0	60	1035	1015	1000	955	915	10" (79 in. ²)

* Add 0.5 amp for each halogen light. Hoods are available with halogen lights (2 lights: 30" - 41", 3 lights: 42" - 53", 4 lights: 54"-66").

SPECIFICATIONS SUBJECT TO CHANGE WITHOUT NOTICE Rev. 0810A

