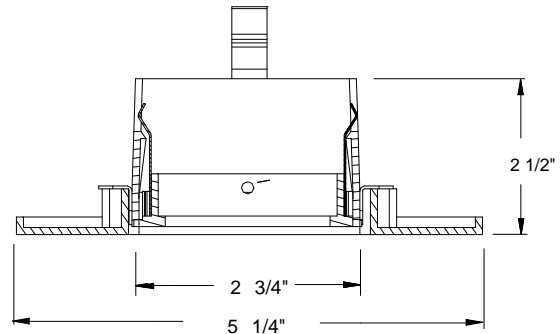


|                       |             |
|-----------------------|-------------|
| <b>CATALOG NUMBER</b> | <b>TYPE</b> |
| <b>PROJECT</b>        |             |

**4" PREMIUM LOW VOLTAGE DOWNLIGHT TRIM**

**HR-D416**



**Ordering Matrix**

| Series | Model Number | Finish         |
|--------|--------------|----------------|
| [ ]    | [ ]          | [ ]            |
| HR     | D416         | BK    BN    WT |

Ordering Example (series – model number – finish): HR-D416-BN

**Product Details**

**Description:** Square recessed adjustable trim. For use with HR-8400 series low voltage downlights.

**Materials:** Durable die-cast aluminum construction. Three heavy gauge retention clips firmly hold trim to housing.

**Aiming:** Center lamp holder pulls down from flush position to tilt up or down from 0° to 30°.

**Lamping:** Utilizes 12 volt MR16 lamps. Ordered Separately. 50w or 75w maximum, see individual housing for wattage rating. Trim supplied with clear tempered glass lens cover for lamp.

**Finish:** Abrasion resistant powder coat painted or plated metal finish. Available in Black (BK), Brushed Nickel (BN), and White (White).

**Listing:** UL & CUL Listed. Suitable for damp locations.

**Specification Features**

- Recessed alternative to surface mounted track lights.
- The supplied clear glass lens can be replaced with one lens accessory such as a colored dichroic lens, UV filter lens, frosted lens, etc. See catalog or website for full lens accessory selection.
- Handles surfaces up to 3/4".
- 5 year WAC Lighting product warranty.

**Compatible Housings (sold separately):**

|  |  |  |  |  |  |
|--|--|--|--|--|--|
| <p><b>HR-8401E</b></p> <p>Non IC<br/>Remodeling<br/>12 Volt Electronic<br/>Lamp: MR16 50W Max</p>              |  | <p><b>HR-8401H &amp; HF</b></p> <p>Non IC<br/>Remodeling<br/>12 volt Magnetic<br/>Lamp: MR16 50W Max</p>         |  | <p><b>HR-8402E</b></p> <p>Non IC<br/>New Construction<br/>12 Volt Electronic<br/>Lamp: MR16 50W Max</p>                            |  |
| <p><b>HR-8402H &amp; HF</b></p> <p>Non IC<br/>New Construction<br/>12 Volt Magnetic<br/>Lamp: MR16 50W Max</p> |  | <p><b>HR-8402HL &amp; HFL</b></p> <p>Non IC<br/>New Construction<br/>12 Volt Magnetic<br/>Lamp: MR16 75W Max</p> |  | <p><b>HR-8403H &amp; HF</b></p> <p>IC Rated. Air tight ready.<br/>New Construction<br/>12 Volt Magnetic<br/>Lamp: MR16 50W Max</p> |  |