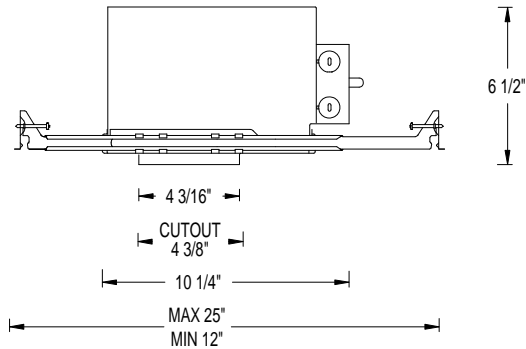
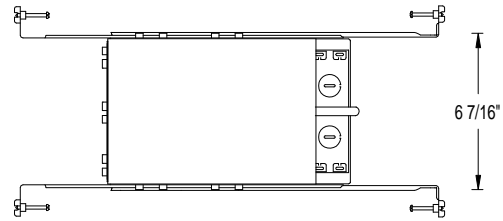


CATALOG NUMBER	TYPE
PROJECT	

4" LINE VOLTAGE DOWNLIGHTS

R-402S-N-ICA



Ordering Matrix

Model	Installation Type	Options
R-402: Recessed 4 inch S: Shallow housing.	R: Remodel Housing N: New construction	IC: IC-Rated A : Air Tight

Product Details

Description: Line voltage shallow new construction housing.

Materials: Housing is 20 gauge steel, painted white. Frame, junction box and hanger bars are heavy gauge galvanized steel.

Mounting: Supplied with hanger bars, adjustable from 12"-24" to accommodate various joist construction and grid sizes. Hanger bars include a captive mounting "screw-nail" for ease of installation.
Accommodates surface thickness of up to 1".
4 7/16" cutout hole.

Ratings: IC-Rated for direct contact with insulation.

J-Box: Seven knockouts and four Romex® style wiring connectors provided for ease of installation. Rated for branch and chain wiring.





Thermal Protection: Thermal protector supplied with R-402S-N-ICA protects against over-lamping.

Listing: UL & CUL Listed. Suitable for damp locations.

Specification Features

- Small sized downlight is compact enough to fit in 2x6 joist installations, allowing these to be used in "shallow" such as multi-story dwellings or where attic space is used for storage.
- Hanger bars slots are located on all four sides of the frame.
- Certified Air Tight per ASTM E283.
- 5 year W.A.C. Lighting product warranty.

Compatible Trims (max wattage for R-40X series is 50w):

R-420 Step baffle <table border="1"> <thead> <tr> <th>Finish</th> <th>Baffle</th> <th>Trim</th> </tr> </thead> <tbody> <tr> <td>BK/WT</td> <td>Black</td> <td>White</td> </tr> <tr> <td>BN</td> <td>Brushed Nickel</td> <td>Brushed Nickel</td> </tr> <tr> <td>BZ</td> <td>Bronze</td> <td>Bronze</td> </tr> <tr> <td>WT/WT</td> <td>White</td> <td>White</td> </tr> </tbody> </table> Lamp:50W PAR20,50W R20			Finish	Baffle	Trim	BK/WT	Black	White	BN	Brushed Nickel	Brushed Nickel	BZ	Bronze	Bronze	WT/WT	White	White		R-421 Open reflector <table border="1"> <thead> <tr> <th>Finish</th> <th>Reflector</th> <th>Trim</th> </tr> </thead> <tbody> <tr> <td>CL/WT</td> <td>Specular Clear</td> <td>White</td> </tr> <tr> <td>BN</td> <td>Specular Clear</td> <td>Brushed Nickel</td> </tr> <tr> <td>BZ</td> <td>Specular Clear</td> <td>Bronze</td> </tr> </tbody> </table> Lamp:50W PAR20,50W R20			Finish	Reflector	Trim	CL/WT	Specular Clear	White	BN	Specular Clear	Brushed Nickel	BZ	Specular Clear	Bronze	
Finish	Baffle	Trim																																
BK/WT	Black	White																																
BN	Brushed Nickel	Brushed Nickel																																
BZ	Bronze	Bronze																																
WT/WT	White	White																																
Finish	Reflector	Trim																																
CL/WT	Specular Clear	White																																
BN	Specular Clear	Brushed Nickel																																
BZ	Specular Clear	Bronze																																
R-432 Gimbal ring <table border="1"> <thead> <tr> <th>Finish</th> <th>Trim</th> </tr> </thead> <tbody> <tr> <td>BN</td> <td>Brushed Nickel</td> </tr> <tr> <td>BZ</td> <td>Bronze</td> </tr> <tr> <td>WT</td> <td>White</td> </tr> </tbody> </table> Lamp:50W PAR20,			Finish	Trim	BN	Brushed Nickel	BZ	Bronze	WT	White		R-435 Eyeball <table border="1"> <thead> <tr> <th>Finish</th> <th>Trim</th> </tr> </thead> <tbody> <tr> <td>BN</td> <td>Brushed Nickel</td> </tr> <tr> <td>BZ</td> <td>Bronze</td> </tr> <tr> <td>WT</td> <td>White</td> </tr> </tbody> </table> Lamp:50W PAR20,50W R20			Finish	Trim	BN	Brushed Nickel	BZ	Bronze	WT	White												
Finish	Trim																																	
BN	Brushed Nickel																																	
BZ	Bronze																																	
WT	White																																	
Finish	Trim																																	
BN	Brushed Nickel																																	
BZ	Bronze																																	
WT	White																																	

Finish Key:

BK-Black, BN-Brushed Nickel, CL-Specular Clear, WT-White, BZ- Bronze

Notes:

The full catalog number for a complete downlight includes the model numbers for both the trim and the housing. More information regarding each individual trim can be viewed on the individual trim spec sheets.