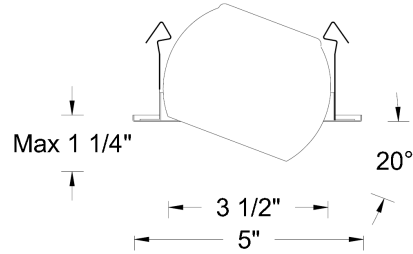


CATALOG NUMBER	TYPE
PROJECT	

4" LINE VOLTAGE DOWNLIGHT TRIM

R-435



Ordering Matrix

Series	Model	Finish (Baffle/Trim)		
<input type="text"/>	<input type="text"/>	<input type="text"/>		
R	435	BN	CB	WT

Ordering Example (series – model number – finish): R-435-WT

Product Details

Description:	Eyeball trim. For use with R-4XX series Line voltage downlights.
Materials:	Durable stamped metal construction. Fingered retention clips firmly hold trim to housing.
Lamping:	Utilizes medium base incandescent lamps. Incandescent lamps are rated for up to 50W watts max. Lamps are ordered separately.
Finish:	Abrasion resistant powder coat painted or plated metal finish. Trim is available in Brushed Nickel (BN), Copper Bronze(CB) or White.
Listing:	UL & CUL Listed. Suitable for damp locations.

Specification Features



- Handles surfaces up to 1"
- 20° adjustment for vertical.
- 5 year WAC Lighting product warranty.

CATALOG NUMBER	TYPE
PROJECT	

4" LINE VOLTAGE DOWNLIGHT TRIM

R-435

Compatible Housings(Sold separately)

<p>R-400S-N-A NON-IC Rated. Air tight. New Construction 50W PAR20;</p>		<p>R-401S-R-A NON-IC Rated. Air tight. Remodel housing 50W PAR20;</p>	
<p>R-402S-N-ICA IC Rated. Air tight. New Construction 50W PAR20;</p>	