

INSTRUCTIONS: 5" Series Reflector Trims

Models: R5VT-21, R5VT-22, R5VT-23, R5VT-24, R5VT-25,
R5VT-29, R5VT-31, R5VT-32, R5VT-33, R5VT-34,
R5VT-35, R5VT-36, R5VT-37, R5VT-39, R5VT-41,
R5VT-42

Important:
Read all instructions before installing.
System is intended for installation in accordance with National Electric Code, and local regulations. Consult with local inspector to assure compliance.
To reduce the risk, electrical shock, turn off power at main switch before installing or modifying the system.
Retain instructions for future maintenance reference.

Overview:

Reflector Trims fit housings from the R5V series. Consult catalog or spec sheet for compatibility.

Installing Trims in:

Frame in Kits:

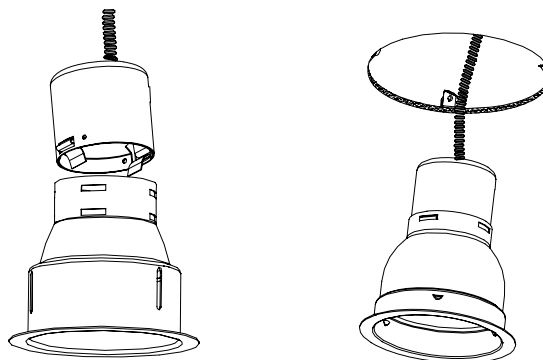
1. Snap the socket cup on to the trim as shown.
2. Push the trim straight up until it is tight against the ceiling.

Remodeling & New Construction Housings:

1. Snap the socket cup on to the trim as shown.
2. (Remodeling) Push the entire socket cup with its two wing springs into the can. The socket will center itself as it is inserted.
3. Push the trim up until it is tight against the ceiling.

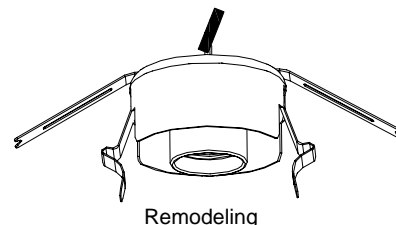
Adjustable trims:

1. Adjustable trims are available for both frame in and new construction incandescent housings.
2. Trim is supplied with a socket extension wire. Screw the male socket end into the socket cup.
3. The trims have an opening in the side. The socket cup from the housing attaches to the opening. Snap the socket cup on to the trim as shown.
4. The female end of the socket extension is attached to the trim.
5. On eyeball trim styles: Attach the female end to the top of the eyeball by inserting into the slots for compression springs.
6. Other styles will require the female socket end to be connected to a pivot bracket inside the trim, by a screw (see diagram).
7. Push the trim straight up until it is tight against the ceiling.



Attach reflector to socket cup

Push trim assembly to ceiling



Remodeling

