

W 83904C24

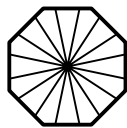
D24" H24" L22



We are dedicated to providing the finest quality crystal chandelier for our customers. Our master craftsmen and designer pride themselves on their attention to detail. prompt, efficient service is our priority.

Enclosed, are detailed instructions on how to properly install your chandelier. Please read all instructions carefully and thoroughly. If you have any questions please feel free to call our toll free DHANDELIER HOTLINE AT:

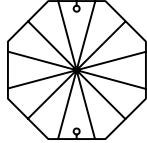
1-855-411-8999



# Crystal Dressing Instructions

## W83904C24

When dressing the chandelier with the crystals please remember to wear either rubber or cotton gloves. So as to prevent any damage or smudging on the crystals.

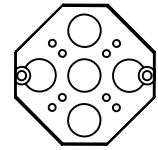


A		B		C1		C2	
10#	15 PCS	10#	15 PCS	10#	48 PCS	24#	48 PCS
12#	18 PCS	12#	18 PCS	12#	48 PCS	26#	48 PCS
12#	25 PCS	12#	25 PCS	12#	48 PCS	28#	48 PCS
14#	28 PCS	14#	28 PCS	14#	48 PCS	30#	48 PCS
10#	43 PCS	10#	43 PCS	14#	48 PCS	32#	48 PCS
12#	43 PCS	12#	43 PCS	14#	48 PCS	34#	48 PCS
14#	43 PCS	14#	43 PCS	16#	48 PCS	36#	48 PCS
14#	49 PCS	14#	49 PCS	16#	48 PCS	36#	48 PCS
16#	49 PCS	16#	49 PCS	16#	48 PCS	38#	48 PCS
18#	49 PCS	18#	49 PCS	16#	48 PCS	36#	48 PCS
10#	49 PCS	10#	49 PCS	14#	48 PCS	36#	48 PCS
20#	49 PCS	20#	49 PCS	14#	48 PCS	34#	48 PCS
		38#	1 PCS	14#	48 PCS	32#	48 PCS
				12#	48 PCS	30#	48 PCS
				12#	48 PCS	28#	48 PCS
				10#	48 PCS	26#	48 PCS
						24#	48 PCS

09

# CANOPY PARTS LIST

Existing Electrical Box



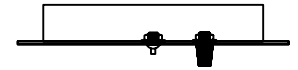
Crossbar



Crossbar Screws x 2(not srplied)



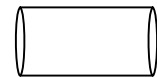
Canopy



Wire Connector



Shrinkable tube



Cable tie



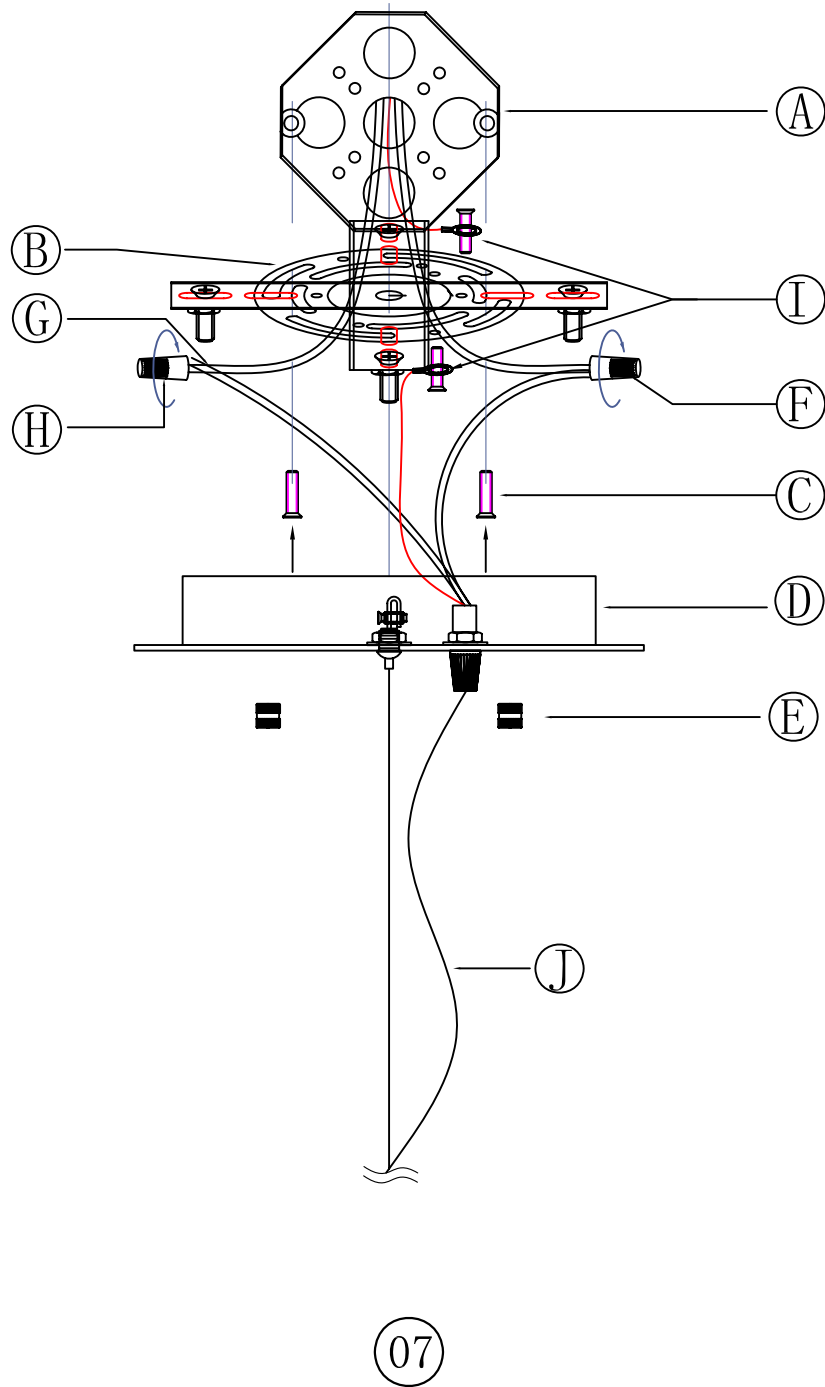
Ground Wire



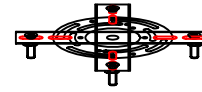
NO.	Quantity
10#	432 pcs
12#	332 pcs
14#	408 pcs
16#	332 pcs
18#	96 pcs
20#	96 pcs
24#	96 pcs
26#	96 pcs
28#	96 pcs
30#	96 pcs
32#	96 pcs
34#	96 pcs
36#	192 pcs
38#	49 pcs

02

# CANOPY INSTALLATION DIAGRAM



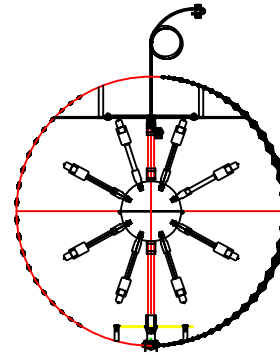
# Frame Parts List



01-Crossbar



02-Metal plate



03-Lamp Body



04-Crossbar bracket

## WARNING!!!

CONTENTS ARE FRAGILE  
HANDLE WITH CARE

The metal frame and crystal components of this chandelier are very delicate. Please exercise extreme Caution during unpacking and installation.

## WARNING!!!

After passing the main electrical wire through the 10mm pipe and connecting the pipe to the main body top connector, place all remaining pieces as shown in numerical order and in the orientation depicted. Refer to the parts list to avoid confusion between parts. The part Numbers coincide

## CAUTION

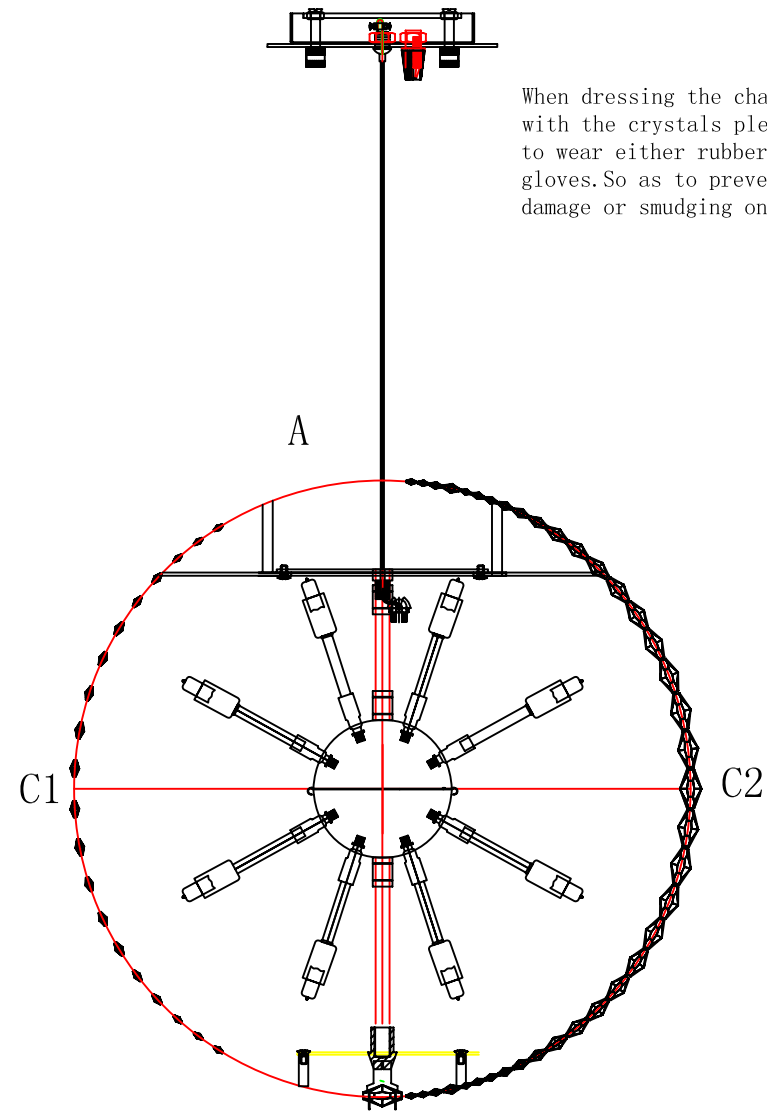
1. Rated 110v-130v/60Hz, bulb G9/60W maximum.
2. Care Should be taken to avoid damage to the surface of lighting and wire, wearing gloves is recommended when installing
3. Connect black or red wire of the lighting to live wire and white or blue wire to neutral wire and double colored (or bare copper) wire to ground wire.
4. Never install lighting on damp ceiling, the room should be dry and well ventilated.
5. Keep lighting away from acid, alkali and other corrosive chemical or gas, clean the lighting with Clean soft cloth only.
6. Installation must be carried out by qualified electrician only.
7. Disconnect the power before installing, Cleaning and replacing lighting.
8. Never cover the lighting when power is connected.
9. Firmness must be secured when installing ceiling tube, chain, pipe and other connecting parts.
10. Care should be taken to avoid damage when installing glass parts.
11. All electrical components must be installed by a licensed electrician and in accordance with the National Electrical Code and the appropriate local electrical codes. Make sure that the electrical supply to the chandelier is turned off at the main fuse or circuit breaker before doing any installation. Elegant lighting shall not be responsible for unprofessional wiring.

01

## Crystal Dressing Diagram

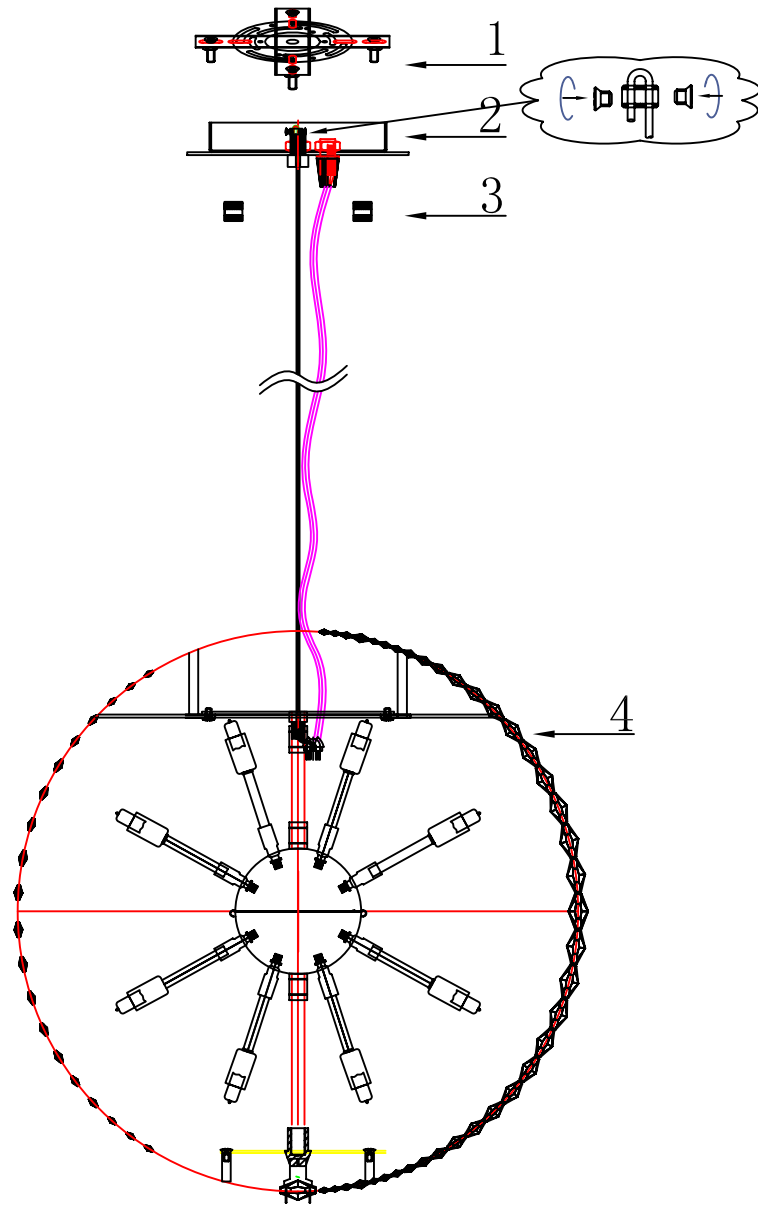


When dressing the chandelier with the crystals please remember to wear either rubber or cotton gloves. So as to prevent any damage or smudging on the crystals.



10

## Frame Assembly Diagram



03

## CANOPY INSTALLATION INSTRUCTIONS

Please read all instructions carefully. Before you proceed to install, make sure that the power supply is turned off and off until installation is complete. Please note that each part has been assigned a letter. Please proceed in an alphabetical order.

- A. Existing Electrical Box
- B. Crossbar
- C. Crossbar Screws
- D. Metal Plate
- E. Crossbar Bracket
- F. Neutral Conductor
- G. Hot Wire
- H. Junction Caps
- I. Ground Wire
- J. Wire

Attach the Crossbar (B) to the existing electrical box (A) using the two crossbar screws (E) which are not supplied and should already be in your box.

08

## WARNING!!!

CONTENTS ARE FRAGILE  
HANDLE WITH CARE

The metal frame and crystal components of this chandelier are very delicate. Please exercise extreme Caution during unpacking and installation.

## WARNING!!!

After passing the main electrical wire through the 10mm pipe and connecting the pipe to the main body top connector, place all remaining pieces as shown in numerical order and in the orientation depicted. Refer to the parts list to avoid confusion between parts. The part Numbers coincide

## CAUTION

1. Rated 110v-130v/60Hz, bulb G9/60W maximum.
2. Care Should be taken to avoid damage to the surface of lighting and wire, wearing gloves is recommended when installing
3. Connect black or red wire of the lighting to live wire and white or blue wire to neutral wire and double colored (or bare copper) wire to ground wire.
4. Never install lighting on damp ceiling, the room should be dry and well ventilated.
5. Keep lighting away from acid, alkali and other corrosive chemical or gas, clean the lighting with Clean soft cloth only.
6. Installation must be carried out by qualified electrician only.
7. Disconnect the power before installing, Cleaning and replacing lighting.
8. Never cover the lighting when power is connected.
9. Firmness must be secured when installing ceiling tube, chain, pipe and other connecting parts.
10. Care should be taken to avoid damage when installing glass parts.
11. All electrical components must be installed by a licensed electrician and in accordance with the National Electrical Code and the appropriate local electrical codes. Make sure that the electrical supply to the chandelier is turned off at the main fuse or circuit breaker before doing any installation. Elegant lighting shall not be responsible for unprofessional wiring.

05

## Frame Assembly Instructions

Installation:

Please read all instructions carefully.  
Before you proceed to install, make sure that the power supply is turned off and remains off until installation is complete.  
Please note that each part has been assigned a number.  
Please proceed in a numerical order.

1. Fix the crossbar (01) on the installation 4" Junction-box (J-box).
2. Screw the lamp body (03) on the Metal plate (02).
3. Make sure the positive and negative charges of wire and lamp body match correctly, screw the connect point with the junction cap.
4. Make sure the main wire is enough long and keep the rest wire in the 4" J-box.
5. Fix the lamp body (03) on the Crossbar (01) With Crossbar bracket (04).

06