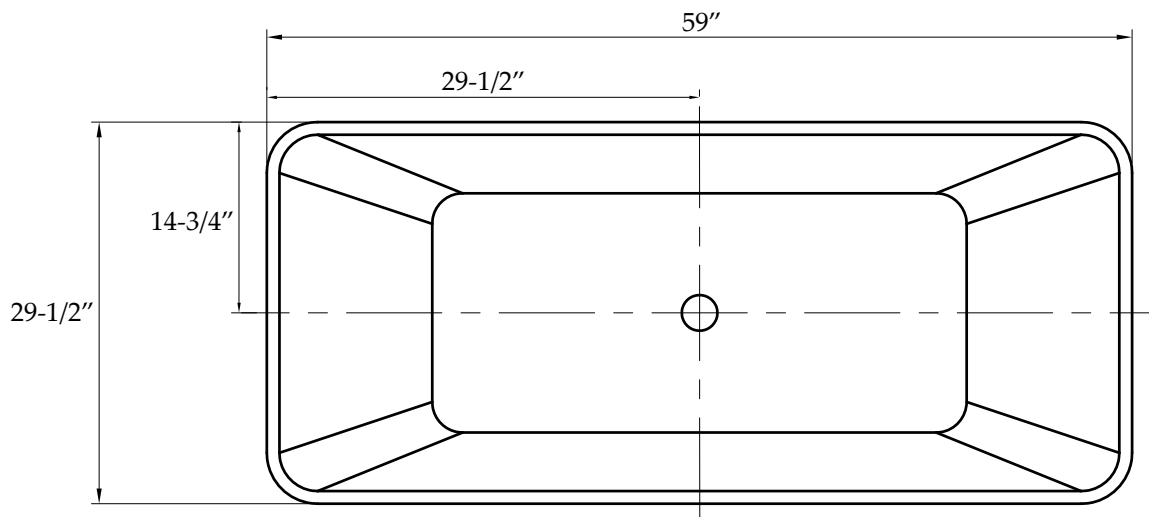
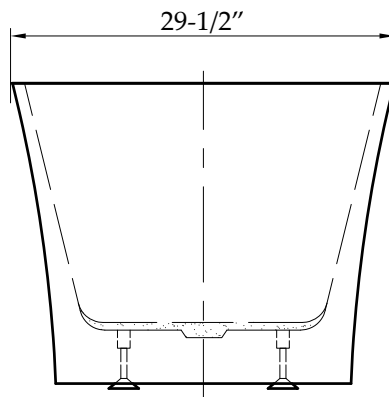
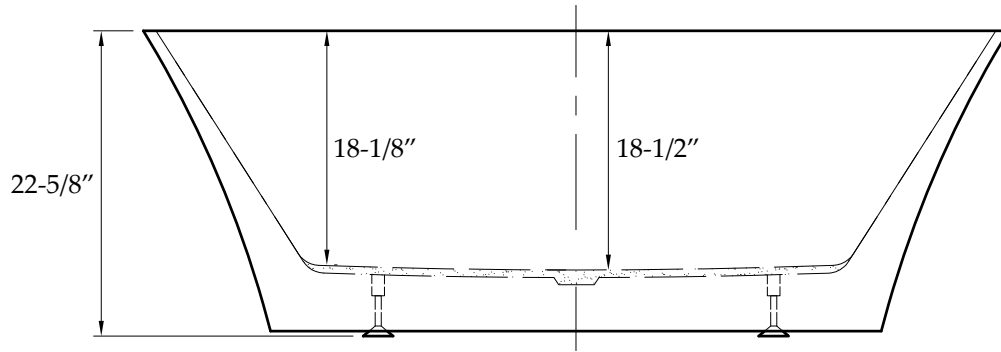


# WYNDHAM COLLECTION

SKU - WC-K1504-59  
Exterior Size - 59"L x 29-1/2"W x 22-5/8"H  
Depth at Drain - 18-1/2"  
Note - All measurements are  $\pm 1/2$ "



WC-K1504-59