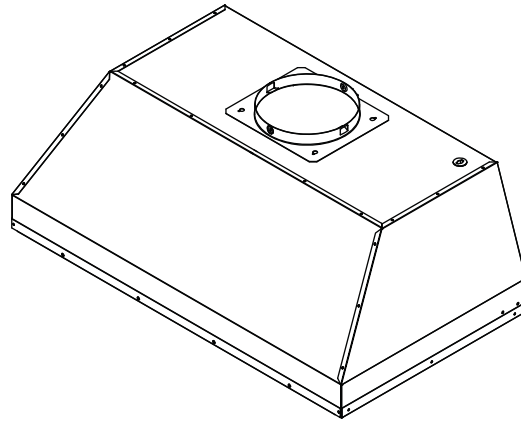


# Use, Care, and Installation Guide

## Monsoon DCBL

AK9428AS  
AK9434AS  
AK9440AS



Model number: \_\_\_\_\_  
Serial Number: \_\_\_\_\_  
Date of Purchase: \_\_\_\_\_  
Sales Dealer: \_\_\_\_\_





**SAFETY NOTICE**..... 2-3

**LIST OF MATERIALS**..... 4

**INSTALLATION**

    Ducting Calculation Sheet..... 5

    Mounting Height & Clearance..... 6

    Ducting Options..... 7

    Specifications..... 8

    Electrical..... 9

    Cabinet Preparation & Installation..... 10

    Vertical Ducting Preparation..... 11

    Horizontal Ducting Preparation..... 12-14

**FEATURES & CONTROLS**

    Touch Controls..... 15

    User Interface..... 16

    RF Remote Control..... 17

**MAINTENANCE**

    Cleaning and Installing Filters..... 18

**TROUBLESHOOTING**..... 19

**FAN CURVE DIAGRAMS**..... 20-21

**WIRING DIAGRAMS**..... 22

**LIST OF PARTS AND ACCESSORIES**..... 23

**Important Safety Notice**

**WARNING**

TO REDUCE THE RISK OF FIRE OR ELECTRIC SHOCK, DO NOT USE THIS FAN WITH ANY SOLID-STATE CONTROL DEVICE.

**WARNING**

TO REDUCE THE RISK OF FIRE ELECTRIC SHOCK, OR INJURY TO PERSONS, OBSERVE THE FOLLOWING:

- a. Use this unit only in the manner intended by the manufacturer, if you have questions, contact the manufacturer.
- b. Before servicing or cleaning unit, switch power off at service panel and lock panel to prevent power from being switched on accidentally. When the service disconnecting means cannot be locked, securely fasten a prominent warning device, such as a tag, to the service panel.

**CAUTION**

For general ventilating use only. Do not use to exhaust hazardous or explosive materials and vapors. Take care when using cleaning agents or detergents. Suitable for use in household cooking area.

**WARNING**

TO REDUCE THE RISK OF RANGE TOP GREASE FIRE:

- a. Never leave surface units unattended at high settings. Boilovers cause smoking and greasy spillovers that may ignite. Heat oils slowly on low or medium settings.
- b. Always turn hood ON when cooking at high heat or when flaming food
- c. Clean ventilating fans frequently. Grease should not be allowed to accumulate on fan or filter.
- d. Use proper pan size. Always use cookware appropriate for the size of the surface element.
- e. Keep fan, filters and grease laden surfaces clean.
- f. Use high setting on hood only when necessary.
- g. Don't leave hood unattended when cooking.
- h. Always use cookware and utensils appropriate for the type of and amount of food being prepared.

**WARNING**

TO REDUCE THE RISK OF INJURY TO PERSONS IN THE EVENT OF A RANGE TOP FIRE, OBSERVE THE FOLLOWING:

- a. SMOTHER FLAMES with a close-fitting lid, cookie sheet, or metal tray, then turn off the burner. BE CAREFUL TO PREVENT BURNS. If the flames do not go out immediately, EVACUATE AND CALL THE FIRE DEPARTMENT.
- b. NEVER PICK UP A FLAMING PAN – You may be burned.
- c. DO NOT USE WATER, including wet dishcloths or towels – a violent steam explosion will result.
- d. Use an extinguisher ONLY if:
  - 1. You know you have a Class ABC extinguisher, and you already know how to operate it.
  - 2. The fire is small and contained in the area where it started.
  - 3. The fire department is being called.
  - 4. You can fight the fire with your back to an exit

**WARNING**

TO REDUCE THE RISK OF FIRE, ELECTRIC SHOCK OR INJURY TO PERSONS, OBSERVE THE FOLLOWING:

- a. Installation work and electrical wiring must be done by qualified person(s) in accordance with all applicable codes and standards. Including fire-rated construction.
- b. Sufficient air is needed for power combustion and exhausting of gases through the flue (chimney) of fuel burning equipment to prevent back-drafting. Follow the heating equipment manufacturer's guideline and safety standards such as those published by the National Fire Protection Association (NFPA) and the American Society for Heating, Refrigeration and Air Conditioning Engineers (ASHRAE) and the local code authorities.
- c. When cutting or drilling into wall or ceiling, do not damage electrical wiring and other hidden utilities.
- d. Ducted fans must always vent to the outdoors.
- e. NEVER place a switch where it can be reached from a tub or shower.
- f. Make sure the power is off before installing, wiring or maintenancing.

**WARNING**

TO REDUCE THE RISK OF FIRE, USE ONLY METAL DUCTWORK.  
NOT FOR USE OVER AN OUTDOOR GRILL

**CAUTION**

To reduce risk of fire and to properly exhaust air outside - Do not vent exhaust air into spaces within walls, ceilings, attics, crawl spaces or garages.

**OPERATION**

Always leave safety grilles and filters in place. Without these components, operating blowers could catch onto hair, fingers and loose clothing.

The manufacturer declines all responsibility in the event of failure to observe the instructions given here for installation, maintenance and suitable use of the product. The manufacturer further declines all responsibility for injury due to negligence and the warranty of the unit automatically expires due to improper maintenance.

**\*NOTE: Please check [www.zephyronline.com](http://www.zephyronline.com) for revisions before doing any custom work.**

**ELECTRICAL REQUIREMENTS**

**Important:**

Observe all governing codes and ordinances.  
It is the customer's responsibility:

- To contact a qualified electrical installer.
- To assure that the electrical installation is adequate and in conformance with National Electrical Code, ANSI/NFPA 70 latest edition\* or CSA standards C22.1-94, Canadian Electrical Code, Part 1 and C22.2 No.0-M91 - latest edition\*\* and all local codes and ordinances.

If codes permit and a separate ground wire is used, it is recommended that a qualified electrician determine that the ground path is adequate.

Do not ground to a gas pipe.

Check with a qualified electrician if you are not sure the range hood is properly grounded.

Do not have a fuse in the neutral or ground circuit.

\*National Fire Protection Association Batterymarch Park, Quincy, Massachusetts 02269

\*\* CSA International 8501 East Pleasant Valley Road, Cleveland, Ohio 44131-5575

This appliance requires a 120V 60Hz electrical supply and connected to an individual properly grounded branch circuit protected by a 15 or 20 ampere circuit breaker or time delay fuse. Wiring must be 2 wire with ground. Please also refer to Electrical Diagram on product.

**AK9428AS / AK9434AS - Max. 219W, 3.5 Amps**

**AK9440AS - Max. 225W, 3.6 Amps**

Power consumption shown above is the default power specs. Hoods with Zephyr's proprietary Airflow Control Technology (ACT) enabled will consume less power. See wiring diagram at the end of this manual for more information.

A cable locking connector (not supplied) might also be required by local codes. Check with local requirements, purchase and install appropriate connector if necessary.

**FEDERAL COMMUNICATION COMMISSION INTERFACE STATEMENT**

This equipment has been tested and found to comply with the limits for a Class B digital device, pursuant to Part 15 of the FCC Rules. These limits are designed to provide reasonable protection against harmful interference in a residential installation.

This equipment generates, uses and can radiate radio frequency energy and, if not installed and used in accordance with the instructions, may cause harmful interference to radio communications. However, there is no guarantee that interference will not occur in a particular installation. If this equipment does cause harmful interference to radio or television reception, which can be determined by turning the equipment off and on, the user is encouraged to try to correct the interference by one of the following measures:

- . Reorient or relocate the receiving antenna.
- . Increase the separation between the equipment and receiver.
- . Connect the equipment into an outlet on a circuit different from that to which the receiver is connected.
- . Consult the dealer or an experienced radio/TV technician for help

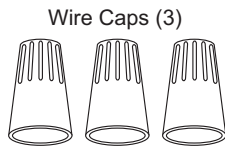
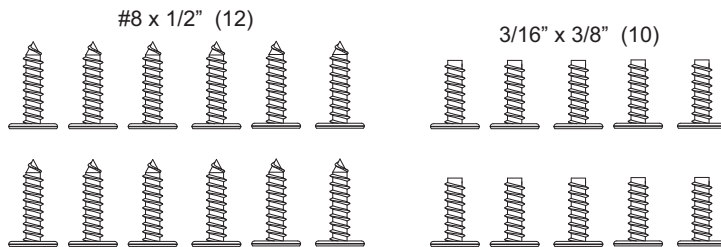
# List of Materials

**MODELS:** AK9428AS, AK9434AS AND AK9440AS

## PARTS SUPPLIED

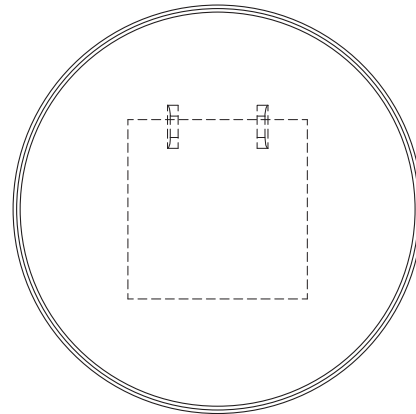
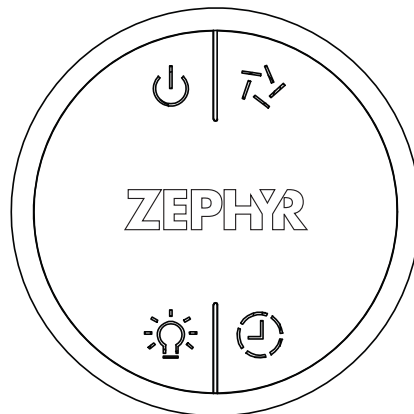
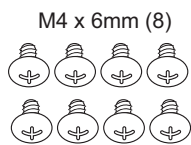
- 1 - Liner hood body
- 3 - Baffle filters
- 2 - 6W Zephyr Bloom™ LED light bulbs (pre-installed) (3 for AK9440AS)
- 1 - Internal blower (pre-installed)
- 1 - 8" round adaptor w/damper
- 1 - 3 1/4" x 10" rectangular adaptor w/damper
- 2 - Horizontal ducting blower mount brackets
- 1 - Top rectangular cover plate
- 1 - Hardware package

## HARDWARE PACKAGE CONTENTS



RF Remote Control (1)



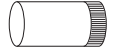
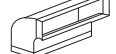







Remote Holder (1)

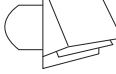


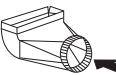


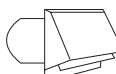
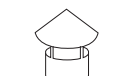
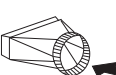
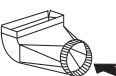


## PARTS NOT SUPPLIED

- Ducting, conduit and all installation tools
- Cable connector (if required by local codes)

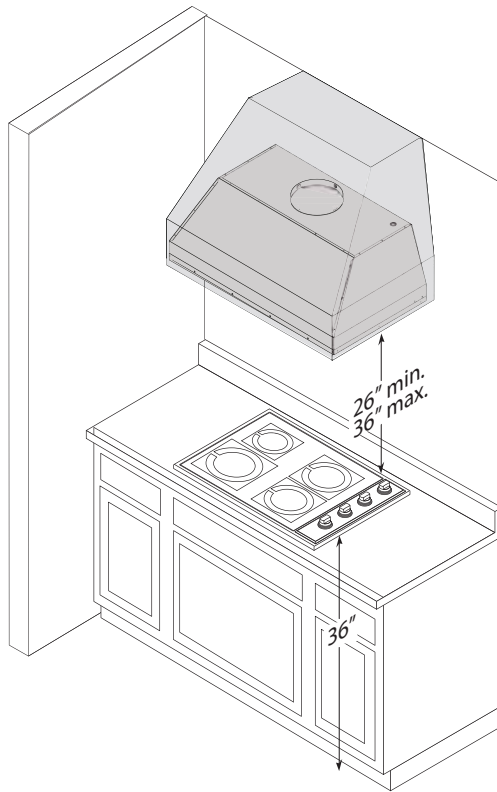
# Installation – Ducting Calculation Sheet

Duct pieces		Equivalent number length x used =	Total
	3-1/4" x 10" Rect., straight	1 Ft. x ( ) =	Ft.
	6" Round, straight	1 Ft. x ( ) =	Ft.
	7"-10" Round, straight	1 Ft. x ( ) =	Ft.
	3-1/4" x 10" Rect. 90° elbow	15 Ft. x ( ) =	Ft.
	3-1/4" x 10" Rect. 45° elbow	9 Ft. x ( ) =	Ft.
	3-1/4" x 10" Rect. 90° flat elbow	24 Ft. x ( ) =	Ft.
	3-1/4" x 10" Rect. wall cap with damper	30 Ft. x ( ) =	Ft.
	3-1/4" x 10" Rect. to 6" round transition	5 Ft. x ( ) =	Ft.
	3-1/4" x 10" Rect. to 6" round transition 90° elbow	20 Ft. x ( ) =	Ft.
	6" Round, 90° elbow	15 Ft. x ( ) =	Ft.
	6" Round, 45° elbow	9 Ft. x ( ) =	Ft.
Subtotal column 1 =			Ft.

Duct pieces		Equivalent number length x used =	Total
	6" Round wall cap with damper	30 Ft. x ( ) =	Ft.
	6" Round, roof cap	30 Ft. x ( ) =	Ft.
	6" round to 3-1/4" x 10" rect. transition	1 Ft. x ( ) =	Ft.
	6" round to 3-1/4" x 10" rect. transition 90° elbow	16 Ft. x ( ) =	Ft.
	7" - 10" Round, 90° elbow	15 Ft. x ( ) =	Ft.
	7" - 10" Round, 45° elbow	9 Ft. x ( ) =	Ft.
	7" - 10" Round wall cap with damper	30 Ft. x ( ) =	Ft.
	7" - 10" Round, roof cap	30 Ft. x ( ) =	Ft.
	7" round to 3 1/4" x 10" rect. transition	8 Ft. x ( ) =	Ft.
	7" round to 3-1/4" x 10" rect. transition 90° elbow	23 Ft. x ( ) =	Ft.
Subtotal column 2 =			Ft.
Subtotal column 1 =			Ft.
Total ductwork =			Ft.

**Maximum Duct Length:** For satisfactory air movement, the total duct length should not exceed 100 equivalent feet.

# Installation – Mounting Height & Clearance



Minimum mount height between range top to hood bottom should be no less than 26".

Maximum mount height should be no higher than 36".

It is important to install the hood at the proper mounting height. Hoods mounted too low could result in heat damage and fire hazard; while hoods mounted too high will be hard to reach and will lose its performance and efficiency.

If available, also refer range manufacturer's height clearance requirements and recommended hood mounting height above range.

### Vertical Ducting:

8" round minimum

### Horizontal Ducting:

8" round or 3 1/4" x 10" rectangular minimum

## DUCTING

A minimum of 8" round or 3-1/4" x 10" rectangular duct must be used to maintain maximum air flow efficiency.

Always use rigid type metal ducts only. Flexible ducts could restrict air flow by up to 50%.

Also use calculation (on page 5) to compute total available duct run when using elbows, transitions and caps.

ALWAYS, when possible, reduce the number or transitions and turns. If long duct run is required, increase duct size.

If turns or transitions are required; install as far away from hood duct output and as far apart, between the two as possible.

## DAMAGE-SHIPMENT / INSTALLATION:

- Please fully inspect unit for damage before installation.
- If the unit is damaged in shipment, return the unit to the store in which it was bought for repair or replacement.
- If the unit is damaged by the customer, repair or replacement is the responsibility of the customer.
- If the unit is damaged by the installer (if other than the customer), repair or replacement must be made by arrangement between customer and installer.



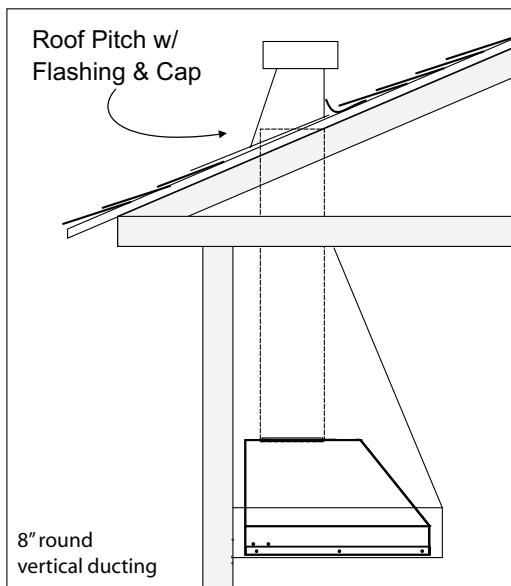
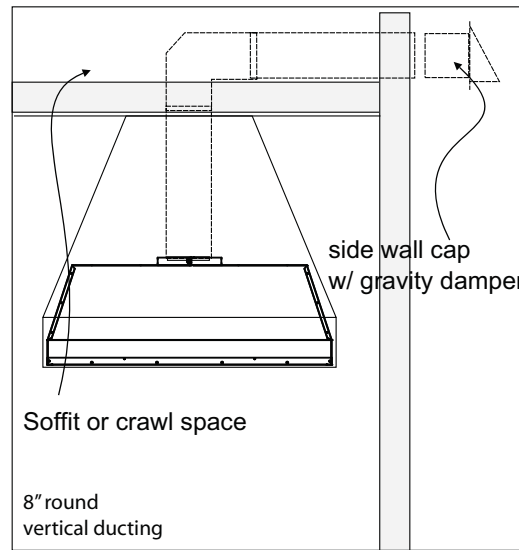
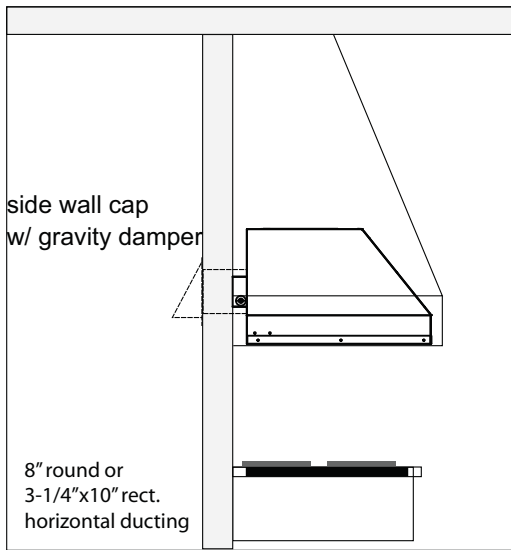
**WARNING FIRE HAZARD**

NEVER exhaust air or terminate duct work into spaces between walls, crawl spaces, ceiling, attics or garages. All exhaust must be ducted to the outside.

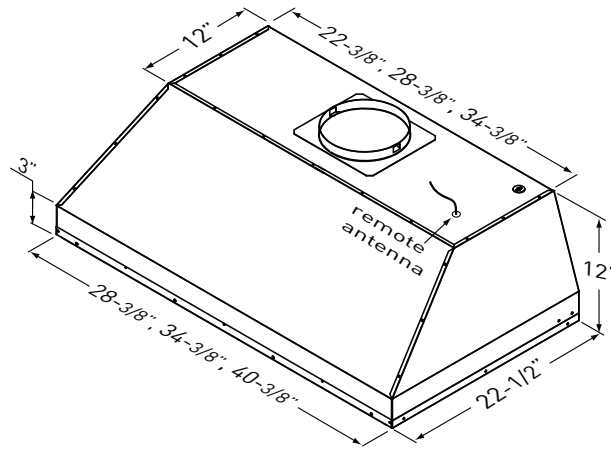
Use single wall rigid metal ductwork only.

Fasten all connections with sheet metal screws and tape all joints with certified Silver Tape or Duct Tape.

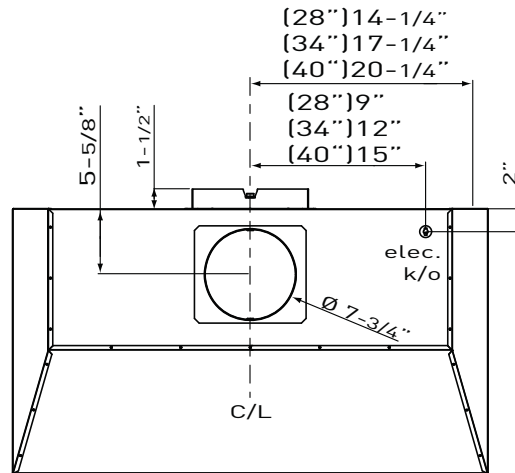
**Some Ducting Options**



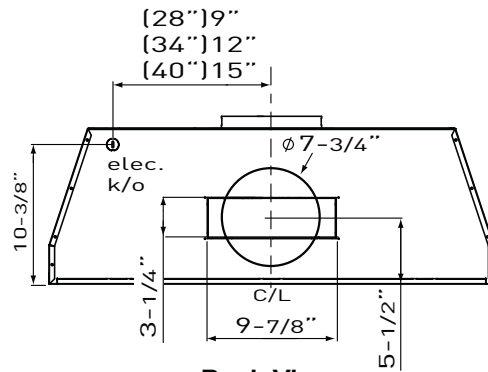
# Installation – Specifications



**3/4 View**



**Top View**



**Back View**

**ELECTRICAL  
WARNING**

**All Electrical work must be performed by qualified electrician or person with similar technical know how and background.**

For personal safety, remove house fuse or open circuit breaker before beginning installation. Do not use extension cord or adapter plug with this appliance.

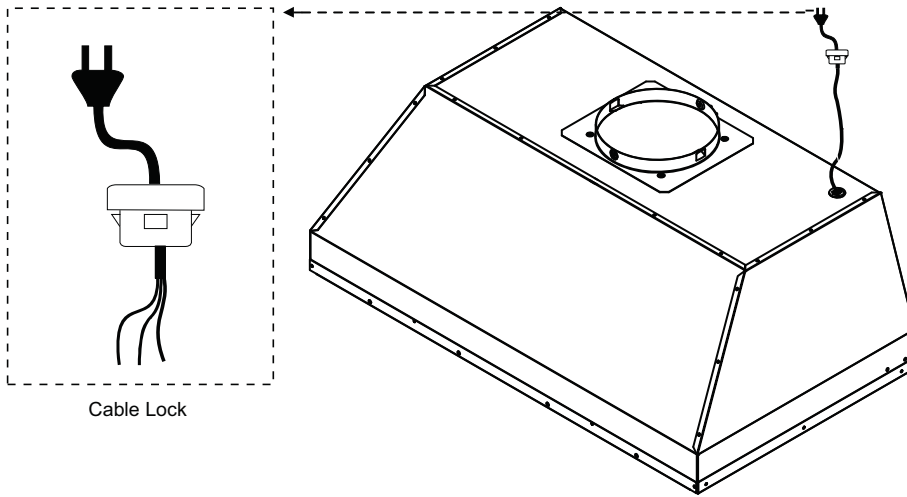
**Follow national electrical codes or prevailing local codes and ordinances.**

**Electrical Supply:**

This appliance requires a 120V 60Hz electrical supply, and connected to an individual, properly grounded branch circuit, protected by a 15 or 20 ampere circuit breaker or time delay fuse. Wiring must be 2 wire w/ ground. Please also refer Electrical Diagram labeled on product.

**Cable Lock:**

A cable locking connector (not supplied) might also be required by local codes. Check with local requirements and codes, purchase and install appropriate connector if necessary.



# Installation – Cabinet Preparation & Installation

**⚠ CAUTION:** At least two installers are required due to the weight and size of the liner.

If possible, power up and test all functions prior to installation.

1. Remove all packing materials and protective film prior to installation. Use caution during installation to prevent scratches or damage to the stainless steel.
2. Cut out an opening in the bottom of the cabinet by following the dimensions in FIG. 1. If ducting the liner horizontally, also cut out an opening in the back of the cabinet (if applicable). FIG. 2.
3. Prepare liner for installation into cabinet by following the steps on page 11 for vertical ducting or pages 12 -14 for horizontal ducting. **Continue to Step 4 after preparation is completed.**
4. Lift liner into bottom opening of cabinet and secure to interior of cabinet using (8) #8 x 1/2" stainless steel screws; (4) screws in the front and (4) screws in the sides. FIG. 3.  
**WARNING:** Make sure the surface you are securing the liner to is capable of holding the weight of AK94. Failure to do so may cause personal injury or damage to cooking surface or counter.
5. Finalize installation of electrical and duct work. Seal duct work with certified aluminum duct tape. Power on liner, check for leaks around duct tape and verify proper operation.  
**NOTE:** If access to top of liner is not available after installation, electrical and duct work connection may need to be made prior to installing the liner.
6. Re-install the previously removed bottom panel, side spacer panels (if applicable), grease tray, and baffle filters.

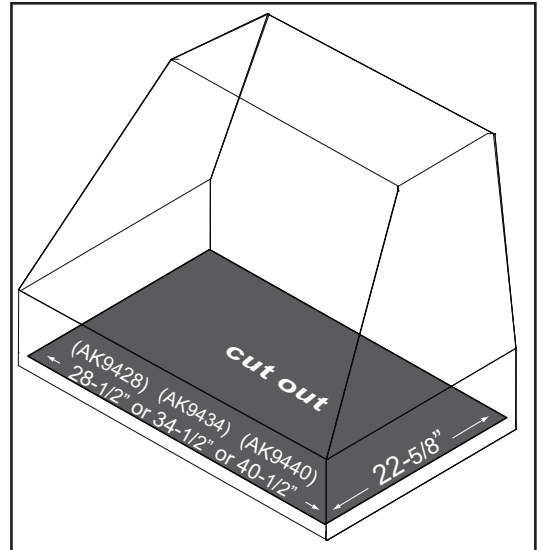


FIG. 1

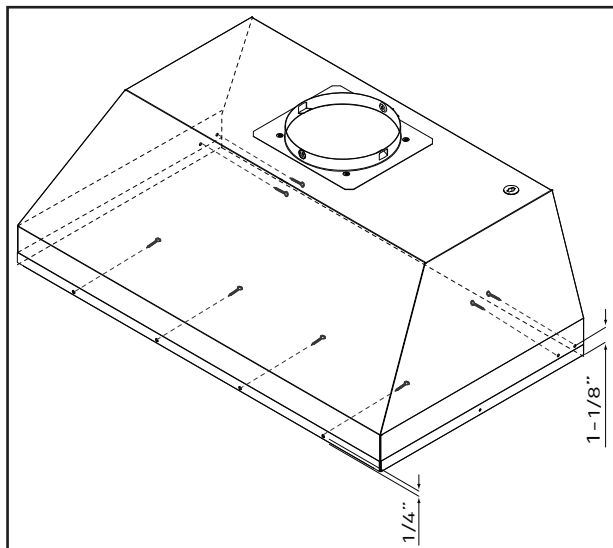


FIG. 3

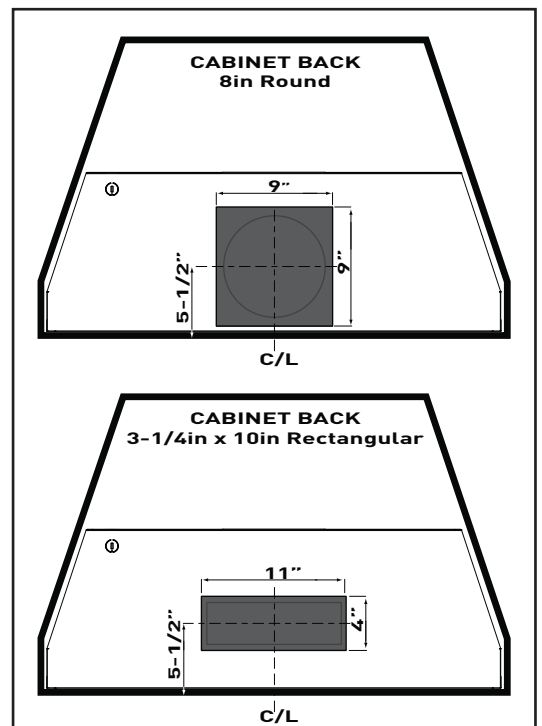
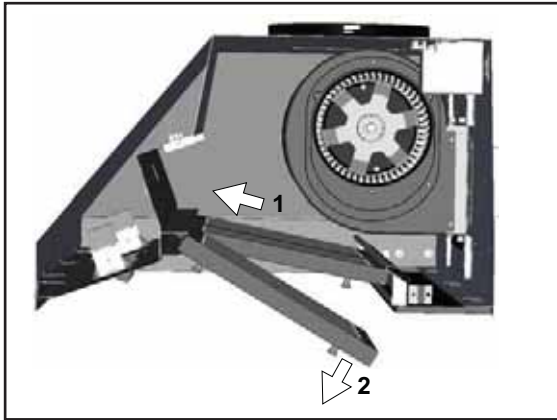
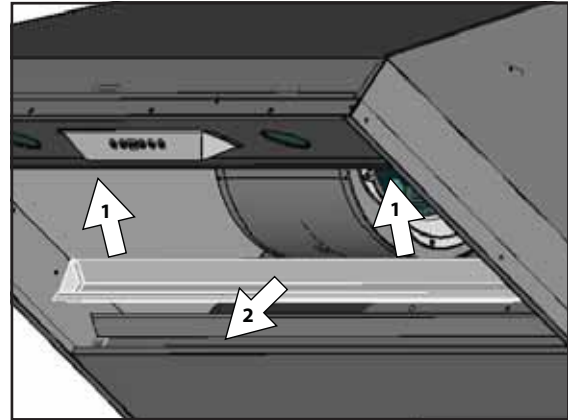


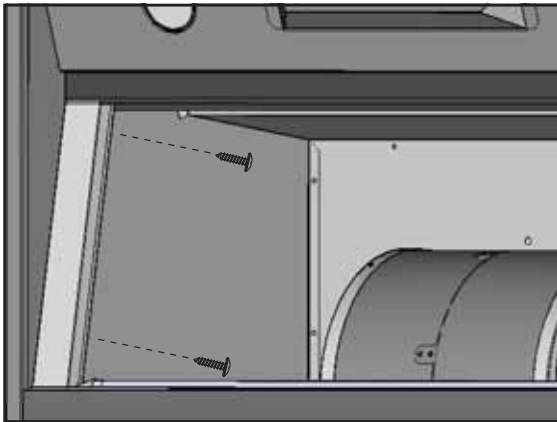
FIG. 2



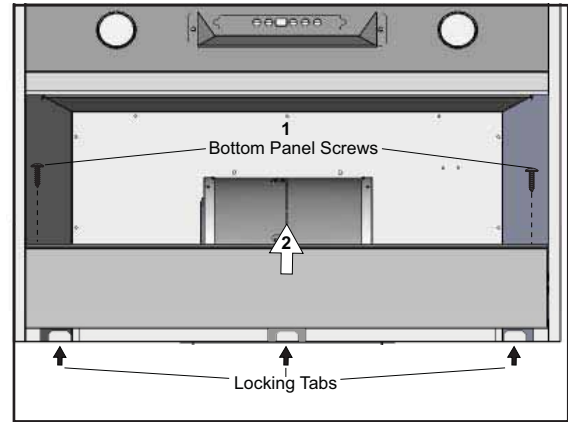
1. Remove baffle filters by: 1) Pulling filter toward front of liner. 2) Pivoting rear of filter down.



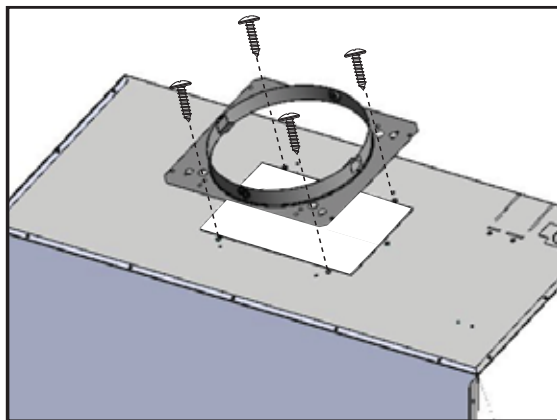
2. Remove grease tray by: 1) Pulling up on tray to release from bottom panel. 2) Lifting tray out of liner body.



3. (If applicable) Remove left and right side-spacer panels by removing (2) screws from behind each panel.



4. Remove bottom panel by: 1) Removing (2) screws from left and right sides of bottom panel. 2) Pulling bottom panel toward front of liner to release from locking tabs.

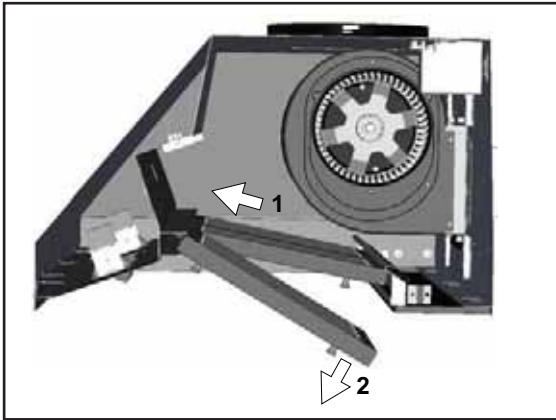


5. Secure 8" round adaptor to top of liner by (4) M4 x 6mm screws.

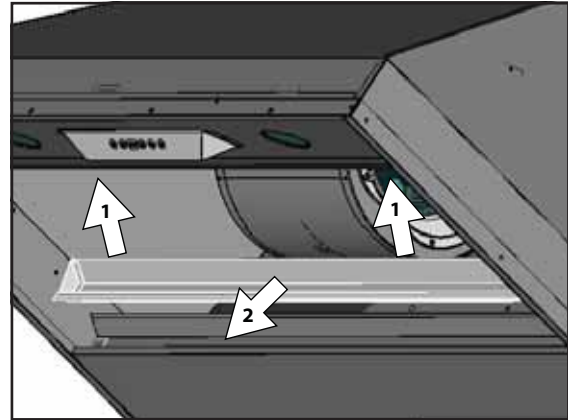


6. Vertical ducting preparation is complete. Refer to page 10, step 4 to complete installation.

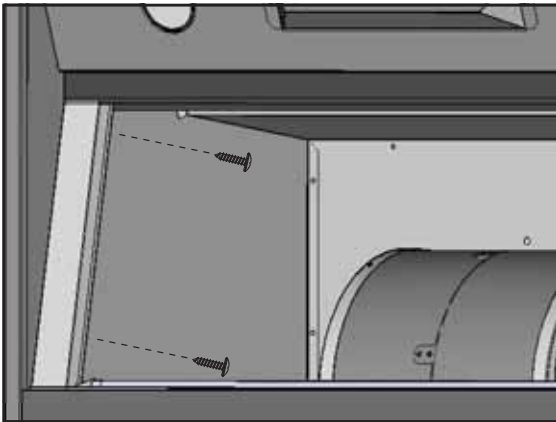
**Installation – Horizontal Ducting Preparation**



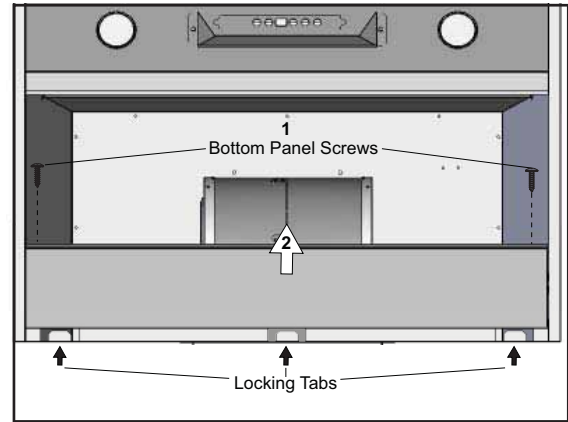
1. Remove baffle filters by: 1) Pulling filter toward front of liner. 2) Pivoting rear of filter down.



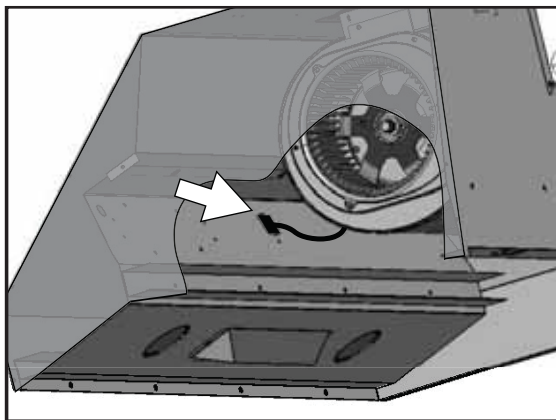
2. Remove grease tray by: 1) Pulling up on tray to release from bottom panel. 2) Lifting tray out of liner body.



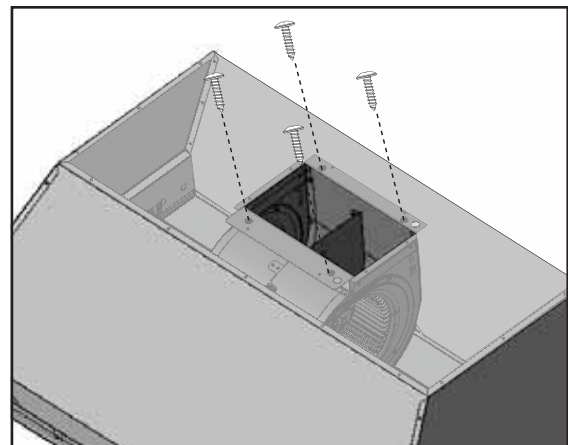
3. (If applicable) Remove left and right side-spacer panels by removing (2) screws from behind each panel.



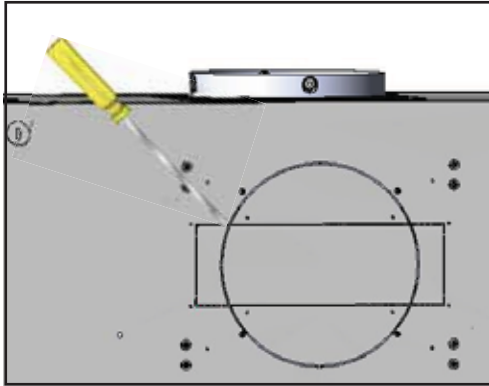
4. Remove bottom panel by: 1) Removing (2) screws from left and right sides of bottom panel. 2) Pulling bottom panel toward front of liner to release from locking tabs.



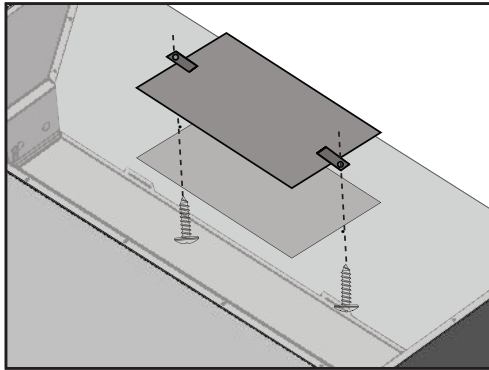
5. Disconnect blower molex plug.



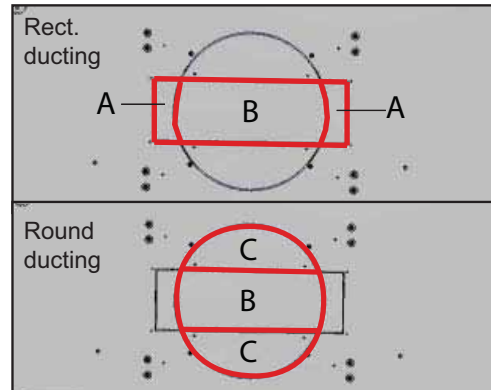
6. Remove blower from liner by removing the (4) 3/16" x 3/8" screws from the top of the liner. Set screws aside for later usage.



- Using a flat head screwdriver, remove 8" round or 3 1/4"x10" rect. knock-out plates at the back of the liner.



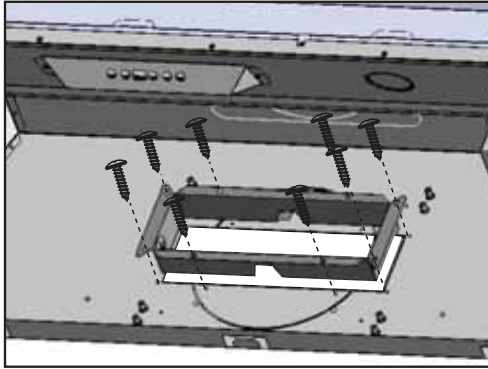
- Place top rectangular cover plate over opening on top of the liner. NOTE: Make sure the cover plate tabs are on top of the cover plate as shown. From inside the liner, secure plate to top of liner with (2) 3/16 x 3/8 screws.



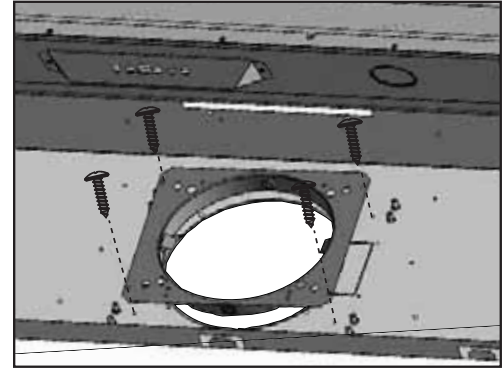
- Remove knock-outs A and B for rectangular ducting. Remove knock outs B and C for round ducting.

**At this point, install the liner into the cabinet by following the steps on Page 10, Step 4. After liner installation, continue to page 14.**

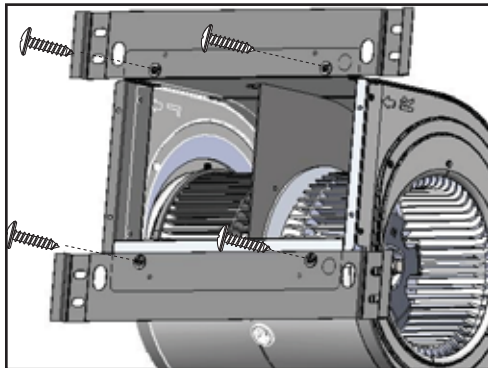
# Installation – Horizontal Ducting Preparation



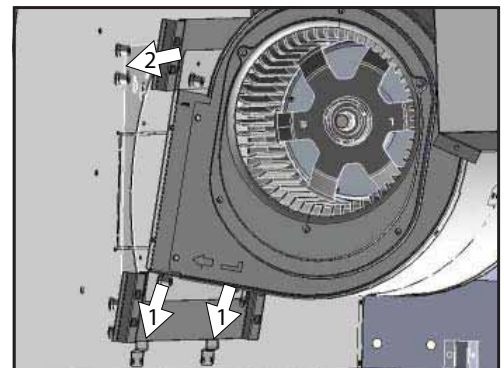
10. **(Rectangular Ducting)** From inside the liner, push 3-1/4" x 10" rectangular adaptor through the back knock-out and secure to interior back wall of liner with (8) M4 x 6mm screws.



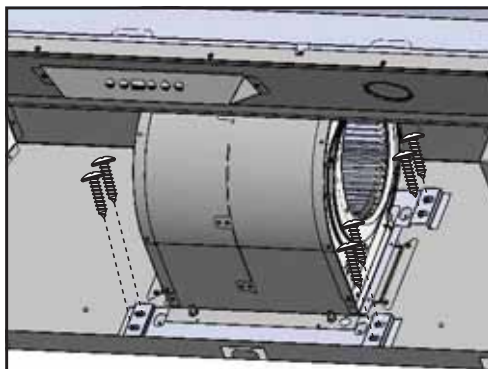
10. **(Round Ducting)** From inside the liner, push 8" round adaptor through the back knock-out and secure to interior back wall of liner with (4) M4 x 6mm screws.



11. Secure (2) horizontal ducting blower brackets to blower as shown above by using the (4) 3/16" x 3/8" screws previously removed from Page 12, Step 6; (2) screws for each bracket.



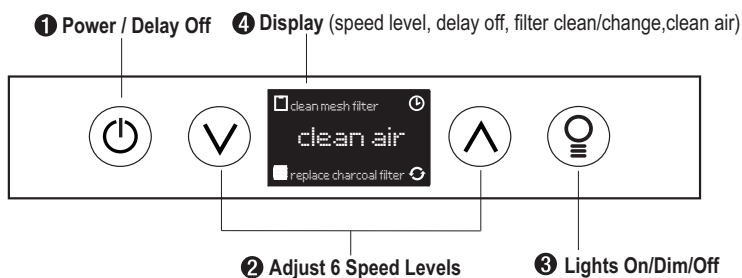
12. Position blower inside liner body as shown by: **1)** Rest the bottom horizontal ducting bracket on the two support clips located on the interior back wall of the liner. **2)** Pivot top horizontal ducting bracket to meet captive nuts on interior back wall.



13. Secure blower to captive nuts on interior back wall of liner with (8) 3/16" x 3/8" screws, (4) screws for each bracket. Seal any gaps around the knock-out plate by using certified aluminum duct tape. Plug in blower moxex plug.




**Horizontal ducting preparation is now complete. Refer to Page 10, Step 5 to complete installation.**








### 1 Power / Delay Off Button


#### Power Button Function

-  Button will turn power on and off for entire hood (fan and lights).
- Hood will remember the last speed and light level it was turned off at.  
(Example: Press  Button to turn off hood when on fan speed 4 and high lights. Press  Button again and the hood will turn back on at speed 4 and high lights level.)

#### Delay Off Button Function

- Press and hold  Button for two seconds and the fan will turn on speed 1. The  Graphic will illuminate. After five minutes the fan and lights will automatically turn off.
- Pressing  Button while Delay Off Function is enabled will turn the hood off and cancel the Delay Off Function.

#### ACT Verification

- Airflow Control Technology (ACT) allows the installer to set the maximum blower CFM to align with local codes and regulations.
  - To verify the maximum blower CFM:
    - With hood off, hold the  Button for three seconds. The blower CFM will be displayed on the LCD.

### 2 Speed Selection Button

#### Fan Speed Decrease Button

- Press this button to decrease fan speed. 6 (burst), 5, 4, 3, 2, 1.
- If fan is On Speed 1 and this button is pressed, fan will power Off.

#### Fan Speed Increase Button

- Press this button to increase fan speed. Fan On, 1, 2, 3, 4, 5, 6 (burst).
- If hood is Off and this button is pressed, fan will turn On Speed 1.

#### Burst Mode




- This speed level is intended to be used as a quick burst of air extraction when excess cooking fumes and smoke are generated. After 3 minutes the fan will automatically change to Speed 5.

### 3 Lights Button

- Lights are two levels, High and Low.
- From off, press one time for High. LCD will show the words "lights hi" for 2 seconds then fade away.
- Press again for Low. LCD will display the words "lights lo" for 2 seconds then fade away.
- Press again to power lights off.









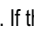


**Mesh Filter Clean Indicator** *(always enabled)*

- After 30 hours of fan usage the  Graphic and words “clean mesh filter” will illuminate indicating it is time to clean the mesh filters. Graphic and words will remain illuminated until reset.
- **To reset:** With liner off, hold the  Button for three seconds, after three seconds the  Graphic and words “clean mesh filter” will turn off and the 30 hour timer will reset.



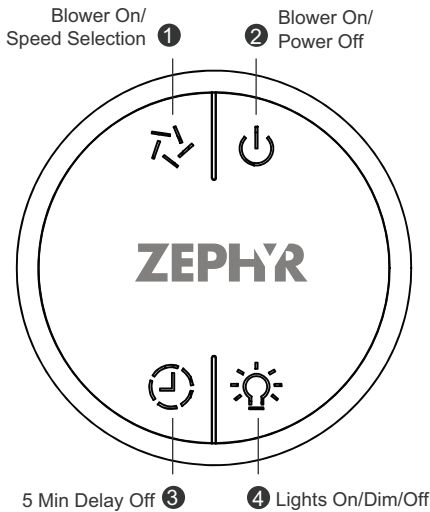
**Clean Air Indicator**

- Clean Air is a feature that turns the fan on every 4 hours for 10 minutes to remove stagnant air in the kitchen.
  - To enable Clean Air Function:
    - With liner off, hold the  Button and  Button simultaneously for three seconds. The  Graphic and words “clean air” will illuminate and the fan will turn on speed 1 for 10 minutes. After 10 minutes the fan will turn off and the 4 hour timer will begin.
    -  Graphic will remain on when Clean Air Function is enabled, even if fan is not on.
  - To disable Clean Air Function:
    - With liner off, hold the  Button and  Button simultaneously for three seconds until  Graphic turns off.
- If the user changes the fan speed while the Clean Air Function is in use, the words “clean air” will turn off but the  Graphic will remain illuminated. If the user presses the  Button at any time the 4 hour clean air timer will reset.

**FCC Caution:** To assure continued compliance, any changes or modifications not expressly approved by the party responsible for compliance could void the user's authority to operate this equipment. (Example - use only shielded interface cables when connecting to computer or peripheral device. This device complies with Part 15 of the FCC Rules. Operation is subject to the following two conditions. (1) This device may not cause harmful interference, and (2) This device must accept any interference received, including interference that may cause undesired operation. This remote control may operate in humid environments, but not when placed on a wet surface.

**SYNCHRONIZATION:** To create a unique link between your range hood and remote control please follow the below steps:  
 1. With range hood off, press and hold the "lights" button on the range hood until the LCD screen blinks on and off.  
 2. Press the "lights" button on the remote, the lights on the hood will turn on. The synchronization is complete.

**RF REMOTE FUNCTIONS:**



**1 Blower On / Speed Selection**

Press to power on blower and cycle through all six blower speeds.

**2 Blower On / Power Off**

By pressing , the blowers will power on at the last speed setting. Press again and the entire hood will power off, including lights.

**3 Delay Off**

By pressing , the blower and lights will enter Delay Off mode. The graphic will illuminate indicating the function is on. The blower will change to speed 1 and shut down after 5 minutes.

**4 Lights On / Dim / Off**

Switch lights On by pressing once, again to dim and again to switch Off.

**RF REMOTE FEATURES:**

The RF remote control is equipped with a magnet on the back for easy storage. The remote may be placed on any magnetic surface such as a refrigerator or the Zephyr remote holder, FIG. 4. The remote holder can be inserted into a standard electrical outlet for easy storage. Note: The remote holder does not charge the RF remote.

Maximum remote control communication distance is 15 feet from the liner.

**RF REMOTE MAINTENANCE:**

Clean the remote control using non abrasive detergents

**Follow instructions below for replacing battery.**

Using a small flat head screwdriver, raise the cover of the battery door (A) in order to access the battery compartment. FIG. 5.

Remove the battery and replace with battery type **A23 12V**. Negative end of battery should face the spring inside the remote.

Re-install battery door and recycle old battery.

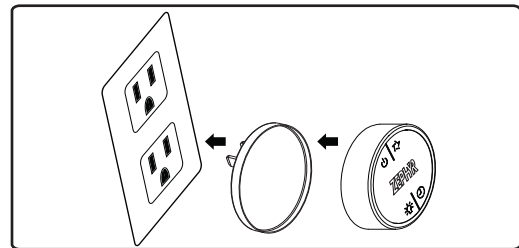


FIG. 4

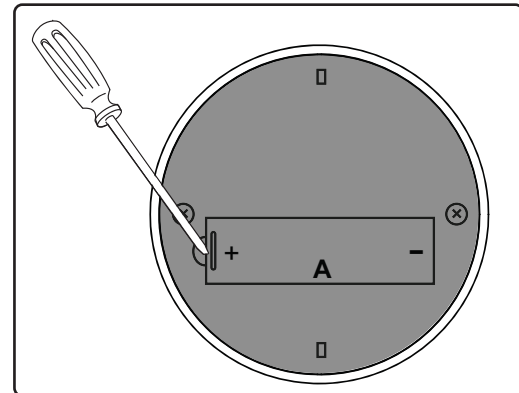


FIG. 5

**SURFACE MAINTENANCE:**

Clean periodically with hot soapy water and clean cotton cloth. Do not use corrosive or abrasive detergent, or steel wool/ scoring pads which will scratch and damage surface. Do not use products containing chlorine bleach or orange cleaners.

For heavier soil use liquid degreaser.

After cleaning, you may use non-abrasive stainless steel polish/ cleaners, to polish and buff out the stainless luster and grain. Always scrub lightly using a micro fiber or clean cotton cloth and with the grain.

**Cleaning the Baffle Filters**

The filters are intended to trap residue and grease from cooking. Although the filters should never need replacing, they are required to be cleaned every 30 days or when the Clean Filter Indicator is illuminated on the liner controls. ■

Filters may be placed in dishwasher at low heat or soaked in hot soapy water. Dry filters and re-install before using hood.

**Installing the Baffle Filters, FIG. 6:**

1. Place filter into top groove of the liner as shown and pull towards front of liner using handles.
2. Pivot back of filter upwards so it is angled in the liner.
3. Push filter into channel on back of liner to lock into place.

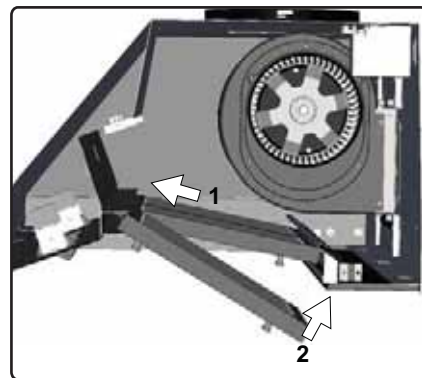


FIG. 6

**Replacing the Baffle Filters:**

Hood Model:	Part No.	Qty. to Order
AK9428AS / AK9434AS	50210013 (large)	2
AK9434AS	50210017 (small)	1
AK9440AS	50210013 (large)	3

**Cleaning the Grease Tray**

The grease tray is intended to catch residue and grease that may drip from the baffle filters. The grease tray should be cleaned when baffle filters are cleaned. Clean the grease tray by soaking in hot soapy water and gently scrubbing any residue off with a soft terry cloth. Dry grease tray and re-install before using liner.

**Removing the Grease Tray**

Grease tray has a hooked lip that attaches to bottom panel top edge.

Remove grease tray by:

1. Pull up on tray to release from bottom panel. FIG. 7-1
2. Pull tray out of insert body. FIG. 7-2

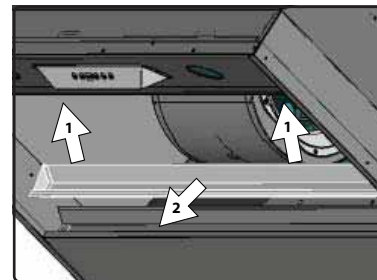


FIG. 7

## TROUBLESHOOTING PROCEDURES FOR MONSOON DCBL

Issue	Cause	What to do
After installation, the unit doesn't work.	1. The power source is not turned ON.	1. Make sure the circuit breaker and the unit's power is ON.
	2. The power line and the cable locking connector is not connecting properly.	2. Check the power connection with the unit is connected properly.
	3. The switch board and control board wires are disconnected.	3. Make sure the wires between the switch board and control board are connected properly.
	4. The wires on control board are loose.	4. Make sure the wires on the control board are connected properly.
	5. The switch board or control board is defective.	5. Change the switch board or control board.
Light works, but blower is not turning.	1. The blower wire is not connected.	1. Make sure the blower wire is plugged into the molex connector.
	2. The thermally protected system detects if the blower is too hot to operate and shuts the blower down.	2. The blower will function properly after the thermally protected system cool down.
	3. Damaged capacitor.	3. Change the capacitor.
	4. Blower molex plug pin is not making contact.	4. Disconnect the blower molex plug, check pins inside plug to see if pin is pushed inside the plug too far. Reseat pin if needed.
	5. The blower is defective, possibly seized.	5. Change the blower.
The unit is vibrating.	1. The blower is not secure in place.	1. Tighten the blower in place.
	2. The liner is not secured in place.	2. Check the installation of the liner.
	3. Damaged blower wheel.	3. Change the blower.
The unit is whistling.	1. A filter is not in the correct position.	1. Adjust the filters until the whistling stops.
	2. The duct pipe connections are not sealed or connected properly.	2. Check the duct pipe connections to be sure all connections are sealed properly.
The blower is working, but the lights are not.	1. Defective LED bulb.	1. Change the LED bulb.
	2. The light bulb plug is disconnected.	2. Connect the light bulb plug.
The speed levels of the blower sound the same.	1. Using the wrong size of ducting.	1. Change the ducting to at least 8" round or 3-1/4"x10" rectangular or higher.
	2. ACT enabled blower CFM set to 290 or 440 CFM.	2. Noise level distinction between some speeds may be minimal when ACT enabled blower is set to 290 or 440 CFM.
The hood is not venting out properly.	1. The liner might be hanging too high from the cook top.	1. Adjust the distance between the cook top and the bottom of the liner within 26" and 36" range.
	2. Blockage in the duct opening or duct work.	2. Remove all the blocking from the duct work or duct opening.
	3. The direction of duct opening is against the wind.	3. Adjust the duct opening direction.
	4. Using the wrong size of ducting.	4. Change the ducting to correct size.
Filter is vibrating.	1. Filter is loose.	1. Adjust or change the filter.
	2. Spring clip is broken on the filter.	2. Change the spring clip.
RF Remote control does not work	1. Battery is dead.	1. Replace battery with type A23 12v.
	2. Poor communication with the liner.	2. Remote control must be within 15 ft of liner.
	3. RF remote lost communication with the liner.	3. Reset liner and remote by switching power off at the circuit breaker for 5 minutes. Perform remote synchronization process on page 17.

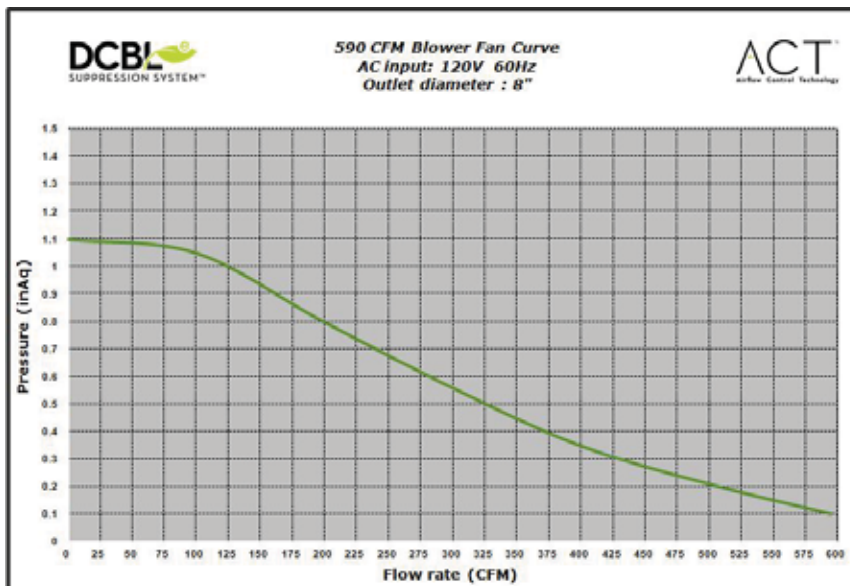
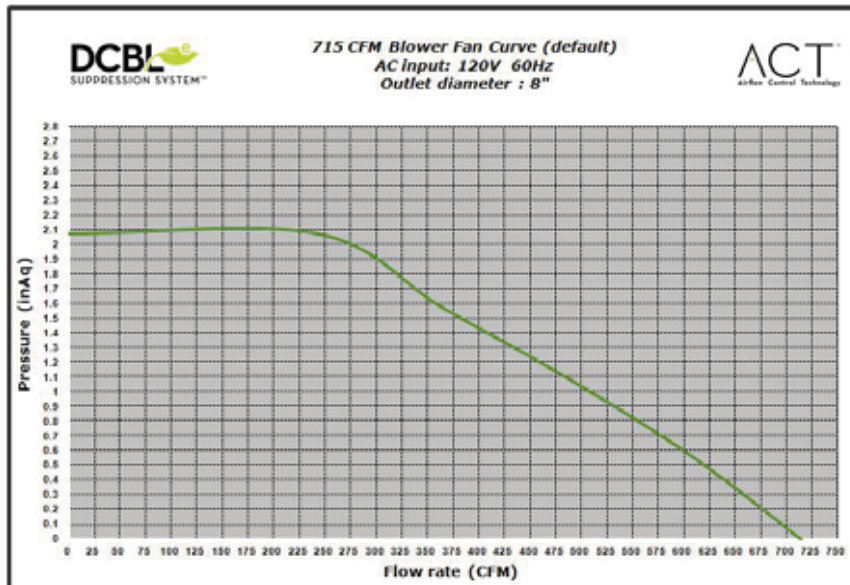
# Fan Curve Diagrams

## Airflow Control Technology (ACT)

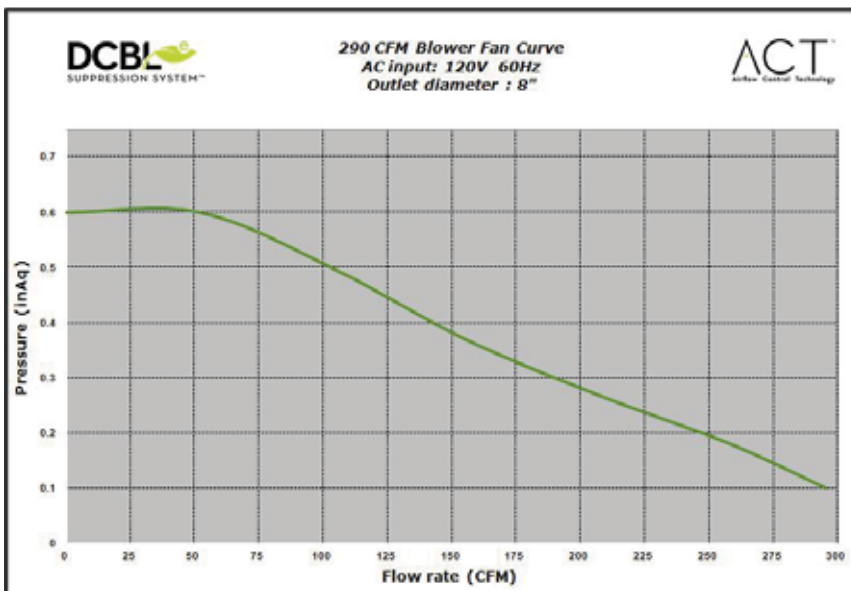
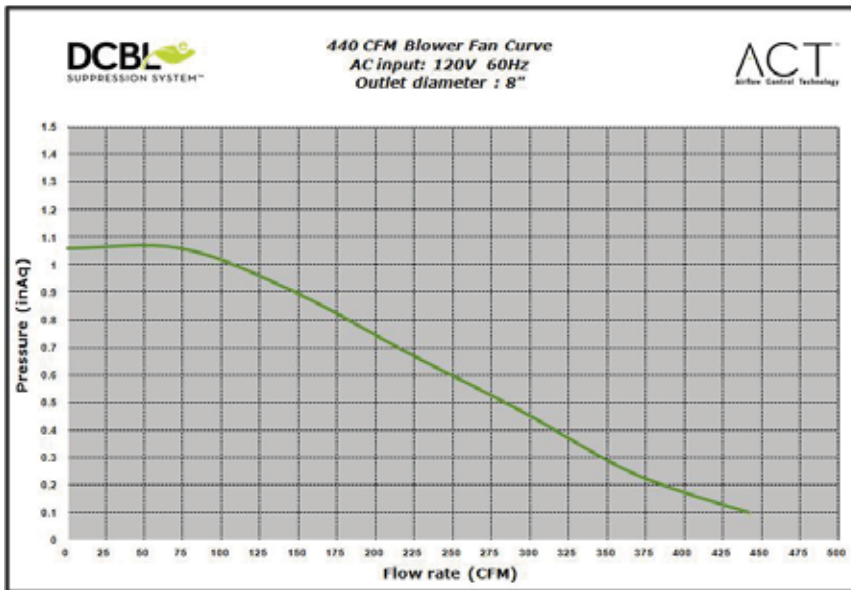
Some local codes limit the maximum amount of CFM a range hood can move. ACT allows you to control the maximum blower CFM of hoods with Zephyr's DCBL Suppression System without the need for expensive make up air kits. ACT enables the installer to easily set the maximum blower speed to one of three most commonly specified CFM levels; 590, 440 or 290 CFM. The usage of ACT may not be necessary for your installation. Please check your local codes for CFM restrictions.

**By default the maximum blower CFM is set to 715.**

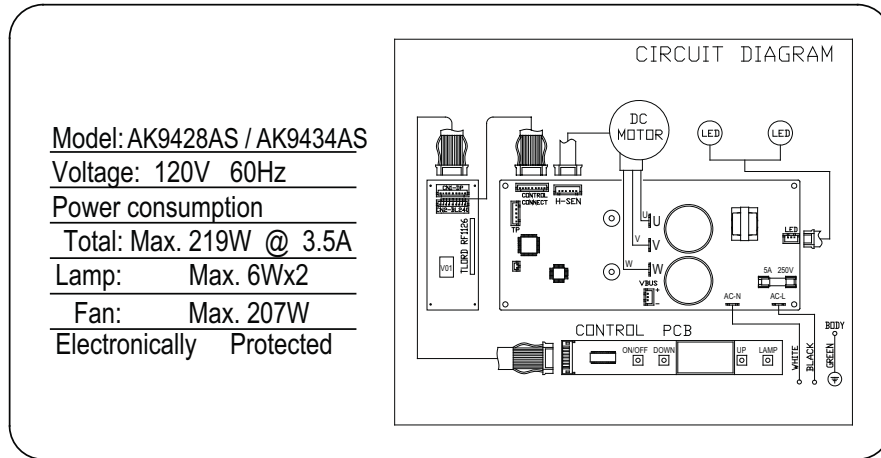
To verify if your installer enabled ACT; With hood off, press and hold the power button for three seconds. Blower CFM will be displayed on the LCD screen. There should also be a foil label located inside the hood body near the wiring diagram that indicates the blower CFM.



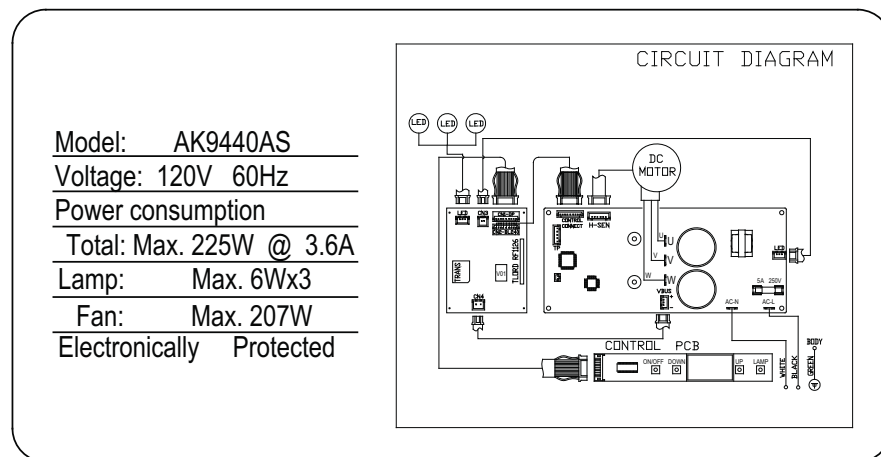
# Fan Curve Diagrams



# Wiring Diagrams



Power consumption shown for default 715 CFM blower configuration



Power consumption shown for default 715 CFM blower configuration

ACT 590 CFM - Fan Max. 130W @ 1.8A

ACT 440 CFM - Fan Max. 70W @ 1A

ACT 290 CFM - Fan Max. 35W @ .55A



---

<b>DESCRIPTION</b>	<b>PART #</b>
<b>Replacement Parts</b>	
AK9428AS / AK9434AS / AK9440AS Baffle Filter, Large (each)	50210013
AK9434AS Baffle Filter, Small (each)	50210017
RF Remote Control	14000005

To order parts, visit us online at <http://store.zephyronline.com> or call us at 1.888.880.8368

# ZEPHYR

## Limited Warranty

**STAPLE YOUR RECEIPT HERE**  
**Proof of the original purchase**  
**date is needed to obtain**  
**service under warranty**

**TO OBTAIN SERVICE UNDER WARRANTY OR FOR ANY SERVICE RELATED QUESTIONS, please call:**  
**1-888-880-8368**

Zephyr Corporation (referred to herein as “we” or “us”) warrants to the original consumer purchaser (referred to herein as “you” or “your”) of Zephyr products (the “Products”) that such Products will be free from defects in materials or workmanship as follows:

**Three Year Limited Warranty for Parts and LED lamps:** For three years from the date of your original purchase of the Products, we will provide, free of charge, Products or parts to replace those that failed due to manufacturing defects. We may choose, in our sole discretion, to repair or replace parts before we elect to replace the Products.

**One Year Limited Warranty for Labor:** For one year from the date of your original purchase of the Products, we will provide, free of charge, the labor cost associated with repairing the Products or parts to replace those that failed due to manufacturing defects. After the first year from the date of your original purchase, you are responsible for all labor costs associated with this warranty.

**Warranty Exclusions:** This warranty covers only repair or replacement, at our option, of defective Products or parts and does not cover any other costs related to the Products including but not limited to: (a) normal maintenance and service required for the Products and consumable parts such as metal and carbon filters and fuses; (b) any Products or parts which have been subject to freight damage, misuse, negligence, accident, faulty installation or installation contrary to recommended installation instructions, improper maintenance or repair (other than by us); (c) commercial use of the Products or use otherwise inconsistent with its intended purpose; (d) natural wear of the finish of the Products or wear caused by improper maintenance, use of corrosive and abrasive cleaning products, pads, and oven cleaner products; (e) chips, dents or cracks caused by abuse or misuse of the Products; (f) service trips to your home to teach you how to use the Products; or (g) damage to the Products caused by accident, fire, floods or act of God. If you are outside our service area, additional charges may apply for shipping costs for warranty repair at our designated service locations and for the travel cost to have a service technician come to your home to repair, remove or reinstall the Products. After the first year from the date of your original purchase, you are also responsible for all labor costs associated with this warranty.

**Limitations of Warranty. OUR OBLIGATION TO REPAIR OR REPLACE, AT OUR OPTION, SHALL BE YOUR SOLE AND EXCLUSIVE REMEDY UNDER THIS WARRANTY. WE SHALL NOT BE LIABLE FOR INCIDENTAL, CONSEQUENTIAL OR SPECIAL DAMAGES ARISING OUT OF OR IN CONNECTION WITH THE USE OR PERFORMANCE OF THE PRODUCTS. THE EXPRESS WARRANTIES IN THE PRECEDING SECTION ARE EXCLUSIVE AND IN LIEU OF ALL OTHER EXPRESS WARRANTIES. WE HEREBY DISCLAIM AND EXCLUDE ALL OTHER EXPRESS WARRANTIES FOR THE PRODUCTS, AND DISCLAIM AND EXCLUDE ALL WARRANTIES IMPLIED BY LAW, INCLUDING THOSE OF MERCHANTABILITY AND FITNESS FOR A PARTICULAR PURPOSE.** Some states or provinces do not allow limitations on the duration of an implied warranty or the exclusion or limitation of incidental or consequential damages, so the above limitations or exclusions may not apply to you. To the extent that applicable law prohibits the exclusion of implied warranties, the duration of any applicable implied warranty is limited to the same two-year period described above. Any oral or written description of the Products is for the sole purpose of identifying the Products and shall not be construed as an express warranty. Prior to using, implementing or permitting use of the Products, you shall determine the suitability of the Products for the intended use, and you shall assume all risk and liability whatsoever in connection with such determination. We reserve the right to use functionally equivalent refurbished or reconditioned parts or Products as warranty replacements or as part of warranty service. This warranty is not transferable from the original purchaser and applies in the United States and Canada.

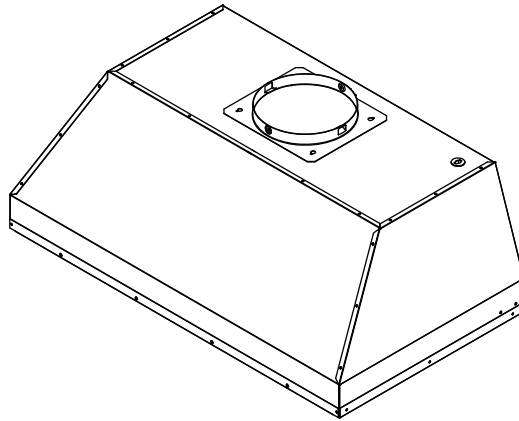
**To Obtain Service Under Limited Warranty:** To qualify for warranty service, you must: (a) notify us at the address or telephone number stated below within 60 days of the discovery of the defect; (b) give the model number and part identification number and serial number; and (c) describe the nature of any defect in the Product or part. At the time of the request for warranty service, you must present evidence of your proof of purchase and proof of the original purchase date. If we determine that the warranty exclusions listed above apply or if you fail to provide the necessary documentation to obtain service, you will be responsible for all shipping, travel, labor and other costs related to the services.

Please check our website for any revisions, [www.zephyronline.com](http://www.zephyronline.com).

**Zephyr Corporation Service Department, 2277 Harbor Bay Parkway, Alameda, CA 94502 1-888-880-8368**

# Monsoon DCBL

AK9428AS  
AK9434AS  
AK9440AS



Numéro de modèle \_\_\_\_\_

Numéro de série \_\_\_\_\_

Date d'achat \_\_\_\_\_

Détaillant \_\_\_\_\_





<b>MISE EN GARDE DE SÉCURITÉ</b> .....	2-3	
<b>LISTE DU MATÉRIEL</b> .....	4	
 <b>INSTALLATION</b>		
Feuille de calcul pour le conduit .....	5	
Espace libre et hauteur de montage .....	6	
Options d'installation pour le conduit .....	7	
Spécifications .....	8	
Électricité .....	9	
Préparation et installation des armoires .....	10	
Préparation pour conduit vertical .....	11	
Préparation pour conduit horizontal .....	12-14	
 <b>COMMANDES</b>		
Commandes à effleurement .....	15	
Interface utilisateur .....	16	
Commande à distance RF .....	17	
 <b>ENTRETIEN</b>		
Installation et nettoyage des filtres .....	18	
 <b>DÉPANNAGE</b> .....		19
 <b>TABLEAU DE RENDEMENT DU VENTILATEUR</b> .....		20-21
 <b>SCHÉMA DE CÂBLAGE</b> .....		22
 <b>LISTES DES ACCESSOIRES ET DES PIÈCES</b> .....		23

**AVERTISSEMENT**

POUR RÉDUIRE LES RISQUES D'INCENDIE OU DE DÉCHARGE ÉLECTRIQUE, N'UTILISEZ PAS CET APPAREIL AVEC UN TABLEAU DE COMMANDE À SEMI-CONDUCTEURS.

**AVERTISSEMENT**

POUR RÉDUIRE LES RISQUES D'INCENDIE, DE DÉCHARGE ÉLECTRIQUE OU DE BLESSURE, RESPECTEZ CES CONSIGNES :

- N'utilisez cet appareil que de la manière prévue par le fabricant. Si vous avez des questions, communiquez avec le fabricant.
- Avant de procéder au nettoyage ou à l'entretien de l'appareil, éteignez l'alimentation du panneau électrique et bloquez le dispositif de déconnexion pour éviter que l'alimentation électrique ne soit accidentellement rallumée. Si le dispositif de sectionnement d'électricité ne peut être bloqué, attachez un avertissement (comme une étiquette) bien en vue sur le tableau électrique.

**ATTENTION**

Pour ventilation générale seulement. N'utilisez pas cet appareil pour évacuer des vapeurs et des matériaux explosifs ou dangereux. Prenez garde lors de l'utilisation d'agents nettoyants ou de détergents. Ne devrait être utilisé que dans la cuisine de votre maison.

**AVERTISSEMENT**

POUR RÉDUIRE LES RISQUES DE FEU DE GRAISSE SUR LA SURFACE DE CUISSON :

- Ne laissez jamais l'appareil sans surveillance lors de son utilisation à haute température. Les débordements par bouillonnement causent de la fumée et des déversements de graisse qui peuvent prendre feu. Faites chauffer l'huile à des températures basses ou moyennes.
- Allumez toujours la hotte lorsque vous cuisinez à haute température ou que vous faites flamber des aliments.
- Nettoyez fréquemment les ventilateurs de la hotte. La graisse ne devrait jamais s'accumuler dans les ventilateurs ou les filtres.
- Utilisez des poêlons aux dimensions adéquates. Utilisez toujours une batterie de cuisine correspondant aux dimensions de l'élément.
- Assurez-vous que le ventilateur, les filtres et les surfaces où la graisse pourrait s'accumuler sont toujours propres.
- Utilisez le réglage haut de la hotte seulement lorsque nécessaire.
- Ne laissez pas la hotte sans surveillance lorsque vous cuisinez.
- Utilisez toujours une batterie de cuisine et des ustensiles convenant au type et à la quantité de nourriture que vous préparez.

**AVERTISSEMENT**

POUR RÉDUIRE LES RISQUES DE BLESSURE LORS D'UN INCENDIE SUR LA SURFACE DE CUISSON :

- ÉTOUFFEZ LES FLAMMES avec un couvercle, une plaque à biscuits ou un plateau de métal et éteignez ensuite le brûleur. PRENEZ GARDE AUX RISQUES DE BRÛLURE. Si les flammes ne disparaissent pas, ÉVACUEZ LES LIEUX ET APPELEZ LE SERVICE D'INCENDIE.
- NE PRENEZ JAMAIS UN POÊLON EN FEU – vous pourriez vous brûler.
- N'UTILISEZ PAS D'EAU, ou un linge à vaisselle mouillé – une violente explosion de vapeur s'ensuivra.
- Utilisez un extincteur SEULEMENT si :
  - Vous savez que vous possédez un extincteur de classe ABC et vous savez vous en servir.
  - Le feu est faible et ne s'est pas répandu depuis son point d'origine.
  - Vous avez appelé le service d'incendie.
  - Vous pouvez sortir facilement de l'endroit où vous combattez le feu.

**AVERTISSEMENT**

POUR RÉDUIRE LES RISQUES D'INCENDIE, DE DÉCHARGE ÉLECTRIQUE OU DE BLESSURE, SUIVEZ LES CONSIGNES SUIVANTES :

- Les travaux d'installation et de câblage électrique doivent être faits par une personne qualifiée selon les stipulations de tous les normes et standards en vigueur, dont les normes des constructions ayant une cote de résistance au feu.
- Pour prévenir les contre-explosions, une certaine quantité d'air est nécessaire pour la combustion et l'évacuation des gaz par le carneau (cheminée) de l'appareil de combustion. Respectez les directives du fabricant d'outillage de chauffage et les normes de sécurité comme celles publiées par la NFPA (Association nationale des services d'incendie), par la Société américaine des ingénieurs en chauffage, réfrigération et climatisation (ASHRAE) et par les normes des autorités locales.
- Lorsque vous coupez ou percez un mur ou un plafond, assurez-vous de ne pas endommager le câblage électrique ou toute autre installation technique dissimulée.
- Les ventilateurs canalisés doivent toujours évacuer l'air à l'extérieur.
- N'installez JAMAIS un interrupteur à une distance atteignable depuis un bain ou une douche.
- Assurez-vous que l'alimentation électrique est éteinte avant de procéder à l'installation, au câblage ou à l'entretien de l'appareil.

**ATTENTION**

POUR RÉDUIRE LES RISQUES D'INCENDIE, N'UTILISEZ QUE DES CONDUITS D'AÉRATION EN MÉTAL.  
 CETTE HOTTE N'EST PAS CONÇUE POUR UNE UTILISATION AVEC UN GRIL EXTÉRIEUR

**ATTENTION**

To reduce risk of fire and to properly exhaust air outside - Do not vent exhaust air into spaces within walls, ceilings, attics, crawl spaces or garages.

**OPERATION**

Pour réduire les risques d'incendie et pour évacuer l'air convenablement, assurez-vous de canaliser l'air à l'extérieur de la maison. N'installez pas l'échappement du conduit dans les espaces entre les murs, le plafond, le grenier, les vides sanitaires ou le garage.

**FONCTIONNEMENT**

Laissez toujours les grilles de sûreté et les filtres en place. Sans ces éléments, les ventilateurs en marche pourraient accrocher des cheveux, des doigts ou des vêtements amples.

Le fabricant se dégage de toute responsabilité dans les cas de non-respect des instructions transmises dans le présent manuel pour l'installation, l'entretien et l'utilisation adéquate du produit. Le fabricant se dégage également de toute responsabilité pour des blessures qui résulteraient de la négligence lors de l'utilisation. De plus, la garantie prend fin automatiquement lors de l'entretien inapproprié de l'appareil.

**\*NOTE : Veuillez communiquer avec nous ou visitez le [www.zephyronline.com](http://www.zephyronline.com) pour obtenir des révisions avant de procéder à des travaux sur commande.**

**EXIGENCES ÉLECTRIQUES**

**Important:**

Respectez tous les codes et règlements en vigueur.

Il est de la responsabilité du client de :

- Communiquer avec un installateur-électricien qualifié.
- S'assurer que l'installation électrique est adéquate et qu'elle respecte le Code national de l'électricité, la plus récente édition\* du ANSI/NFPA 70 ou des normes du CSA C22.1-94, le Code canadien de l'électricité, section 1, la plus récente édition\*\* du code C22.2 No.0-M91 ainsi que tous les codes et règlements en vigueur.

Si les codes permettent l'utilisation d'un fil de garde isolé et que vous en utilisez un, il est recommandé qu'un électricien qualifié détermine si le cheminement du fil est adéquat.

N'effectuez pas la mise à la terre à un tuyau de gaz.

Demandez à un électricien qualifié si vous n'êtes pas certain que la hotte a été mise à la terre adéquatement.

N'introduisez aucun fusible dans le circuit neutre ou de mise à la terre.

\*National Fire Protection Association Batterymarch Park, Quincy, Massachusetts 02269

\*\* CSA International 8501 East Pleasant Valley Road, Cleveland, Ohio 44131-5575

Cet appareil requiert une alimentation électrique de 120V 60 Hz. Il doit être connecté à un circuit terminal individuel dûment mis à la terre, protégé par un disjoncteur de circuit ou un fusible temporisé de 15 ou 20 ampères. Le câblage doit compter 2 fils avec mise à la terre. Veuillez vous référer au Diagramme électrique étiqueté sur l'appareil.

**AK9428AS / AK9434AS – 219 Watts, 3,5 Ampères**

**AK9440AS – 225 Watts, 3,6 Ampères**

Un raccord de câble (non inclus) pourrait également être exigé par les normes et réglementations locales. Informez-vous des exigences et des normes locales. Achetez et installez le connecteur approprié si nécessaire.

**DÉCLARATION DE LA COMMISSION FÉDÉRALE DES COMMUNICATIONS SUR L' INTERFACE**

Cet appareil a été testé et respecte les limites de l'article 15 des réglementations FCC en matière d'appareils numériques. Ces limites sont conçues pour fournir une protection adéquate contre tout type d'interférence dans des installations résidentielles.

Cet appareil génère, utilise et peut émettre de l'énergie radiofréquence et, s'il n'est pas installé et utilisé conformément aux instructions, peut causer du brouillage nuisible aux communications radio. Toutefois, nous ne pouvons garantir qu'aucune interférence ne se produise dans certaines installations. Si cet appareil cause du brouillage nuisible à une radio ou une télévision, phénomène que vous pouvez vérifier en allumant et éteignant l'appareil, nous vous encourageons à tenter de corriger le problème en apportant l'une des mesures suivantes :

- Réorientez l'antenne de réception ou changez-la de place.
- Augmentez l'espace entre l'appareil et le récepteur.
- Branchez l'appareil dans la prise d'un circuit différent de celui où est branché le récepteur.
- Consultez votre détaillant ou un technicien chevronné en radio et télévision pour obtenir de l'aide.

# Liste du matériel

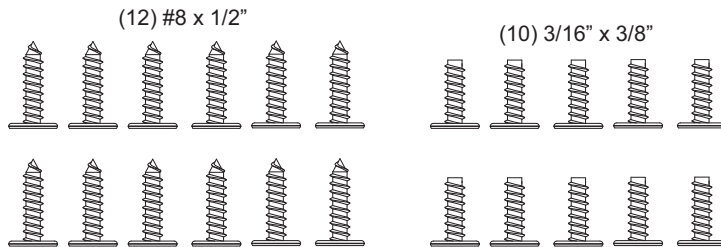
**MODÈLES:** AK9428AS et AK9434AS et AK9440AS

## PIÈCES FOURNIES

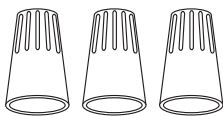
- 1 - Boîtier de hotte interne
- 3 - Filtres défecteurs
- 2 - Ampoules DEL Zephyr Bloom® de 6 W (3 pour le AK9440AS) (préinstallées)
- 1 - Ventilateur interne (préinstallé)
- 1 - Adaptateur circulaire de 8" avec registre
- 1 - Adaptateur rectangulaire de 3-1/4" x 10" avec registre
- 2 - Supports de montage pour ventilateur avec conduit horizontal
- 1 - Plaque supérieure rectangulaire
- 1 - Trousse de quincaillerie

## CONTENU DE LA TROUSSE DE QUINCAILLERIE

### PIÈCES NON FOURNIES



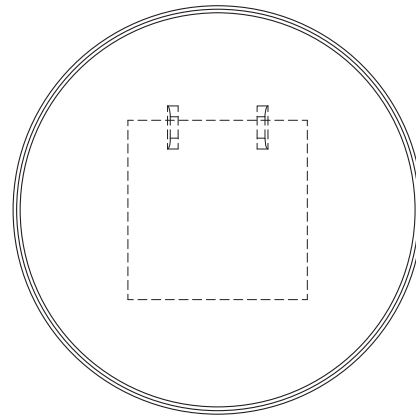
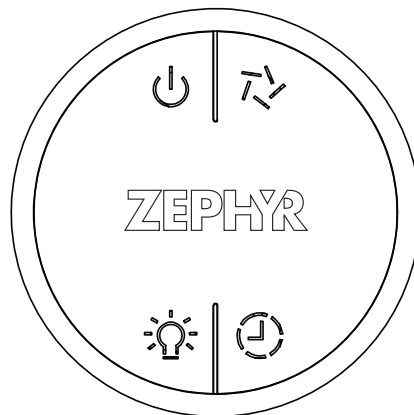
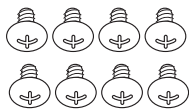
(3) capuchons de connexion



(1) commande à distance RF

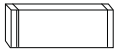
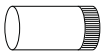

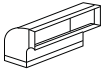
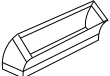
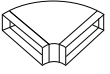
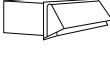
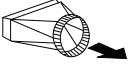
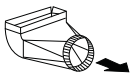

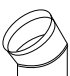
(1) support à commande

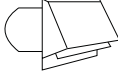

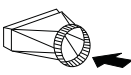
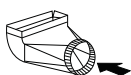
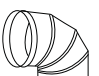

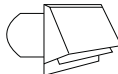
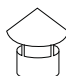
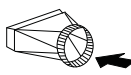
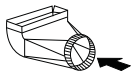
(8) M4 x 6 mm



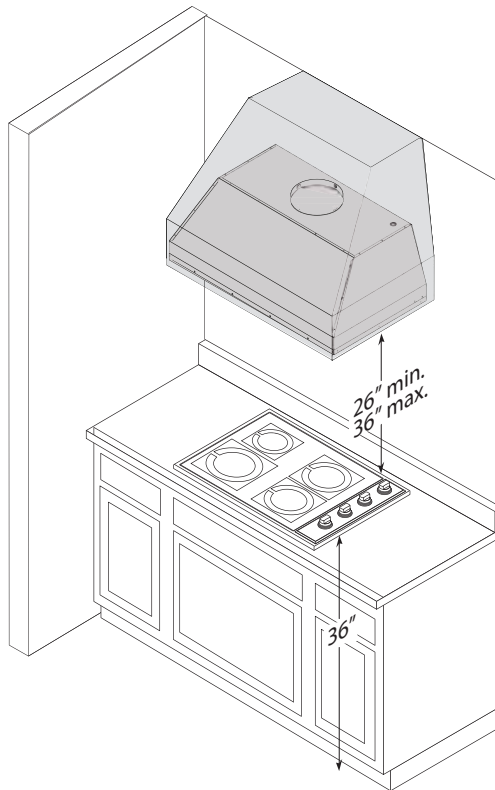
- Conduit d'aération et tous les outils d'installation
- Raccord de câble (si exigé par les codes en vigueur)



Pièces de conduit		Longueur x Nombre utilisé	Total
	3-1/4" x 10" rect., droit	1 pi x ( ) =	pi
	6" circ., droit	1 pi x ( ) =	pi
	7" circ., droit	1 pi x ( ) =	pi
	3-1/4" x 10" rect., coude à 90°	15 pi x ( ) =	pi
	3-1/4" x 10" rect., coude à 45°	9 pi x ( ) =	pi
	3-1/4" x 10" rect., coude plat à 90°	24 pi x ( ) =	pi
	3-1/4" x 10" embout mural rect./registre	30 pi x ( ) =	pi
	3-1/4" x 10" rect. à circ. de 6"	5 pi x ( ) =	pi
	3-1/4" x 10" coude à 90° rect. à circ. de 6"	20 pi x ( ) =	pi
	6" circ., coude à 90°	15 pi x ( ) =	pi
	6" circ., coude à 45°	9 pi x ( ) =	pi
Sous-total - colonne 1 =			pi

Pièces de conduit		Longueur x Nombre utilisé	Total
	6" embout mural circ./registre	30 pi x ( ) =	pi
	6" chapeau de toiture circ.	30 pi x ( ) =	pi
	6" circ. à rect. de 3-1/4" x 10"	1 pi x ( ) =	pi
	6" circ. à rect. de 3-1/4" x 10", coude à 90°	16 pi x ( ) =	pi
	7" or 10" circ., coude à 90°	15 pi x ( ) =	pi
	7" or 10" circ., coude à 45°	9 pi x ( ) =	pi
	7" or 10" embout mural circ./registre	30 pi x ( ) =	pi
	7" or 10" circ., chapeau de toiture	30 pi x ( ) =	pi
	7" circ. à rect. de 3-1/4" x 10"	8 pi x ( ) =	pi
	7" circ. à rect. de 3-1/4" x 10", coude à 90°	23 pi x ( ) =	pi
Sous-total - colonne 2 =			pi
Sous-total - colonne 1 =			pi
Total du conduit =			pi

**Longueur maximale du conduit d'aération:** Pour un mouvement d'air convenable, la longueur totale d'un conduit d'aération ne devrait pas compter plus que l'équivalent de 100 pieds.



### CONDUIT D'AÉRATION

Un conduit rectangulaire d'un minimum de 3-1/4" x 10" ou circulaire de 8" doit être utilisé pour assurer une circulation d'air maximale.

N'utilisez que des conduits en métal rigide. Les conduits souples pourraient réduire la circulation d'air jusqu'à 50 %.

Utilisez la feuille de calcul pour obtenir la longueur totale du conduit (page 5) lorsque vous utilisez des coudes, des pièces de changements de direction et des bouches d'aération.

Lorsqu'il est possible de le faire, diminuez TOUJOURS le nombre de pièces et de changements de direction. Si un long tronçon de conduit est nécessaire, augmentez le diamètre du conduit.

Si des changements de direction ou des adaptateurs sont nécessaires, installez-les le plus loin possible de l'ouverture et le plus éloigné possible – séparés par au moins une pièce standard – l'un de l'autre.

La hauteur de montage minimale ne devrait pas être moins de 26".

La hauteur de montage maximale ne devrait pas dépasser 36".

Il est important d'installer la hotte à la hauteur de montage adéquate. Les hottes installées trop basses pourraient être endommagées par la chaleur en plus de présenter des risques d'incendie plus élevés tandis que les hottes installées trop hautes seront difficiles à atteindre et verront leur efficacité et leur rendement réduits.

Si elles sont disponibles, consultez les exigences de hauteur d'espace libre requise par le fabricant de la cuisinière ainsi que la hauteur recommandée de montage de la hotte au-dessus de la surface de cuisson.

#### Conduit vertical:

Circulaire d'au moins 8"

#### Conduit horizontal:

Circulaire d'au moins 8" ou rectangulaire d'au moins 3-1/4" x 10"

#### ENDOMMAGEMENT LORS DE LA LIVRAISON/INSTALLATION:

- Veuillez vous assurer qu'aucune des pièces de l'appareil n'est endommagée avant l'installation.
- Si l'appareil est endommagé durant la livraison, retournez l'appareil à l'endroit où vous l'avez acheté pour réparation ou remplacement.
- Si l'appareil est endommagé par le client, la réparation ou le remplacement est à la charge du client
- Si l'appareil est endommagé par l'installateur (si autre que le client), le client et l'installateur doivent en venir à une entente pour la réparation ou le remplacement.

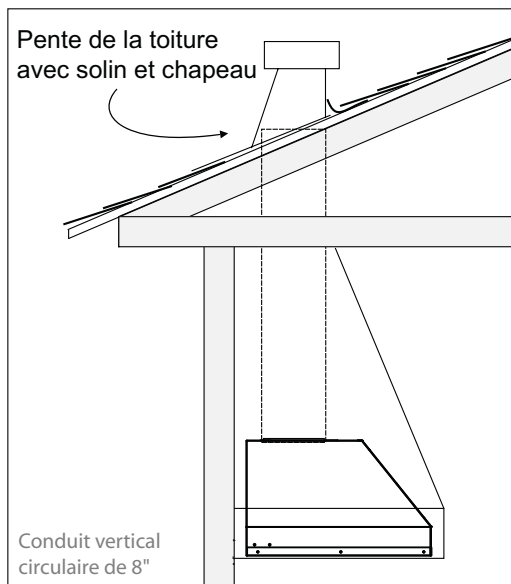
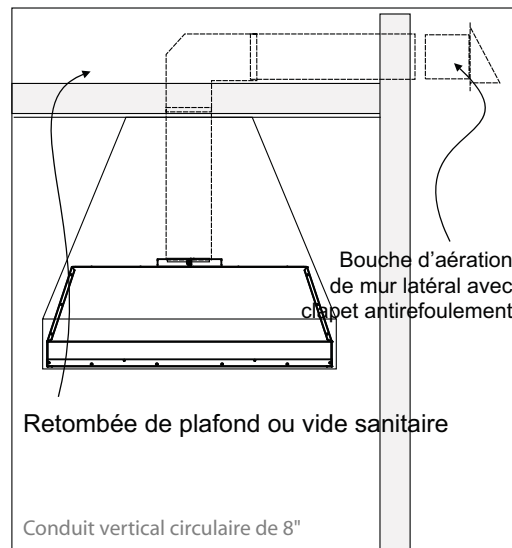
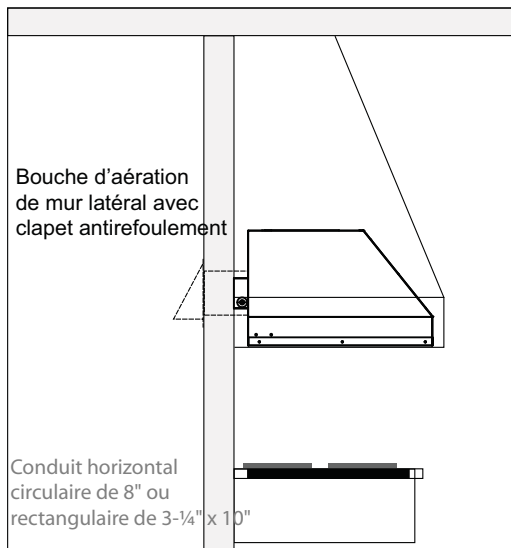
## AVERTISSEMENT DE RISQUE D'INCENDIE

N'évacuez ou ne terminez JAMAIS l'échappement du conduit dans les espaces entre les murs, les vides sanitaires, le plafond, le grenier, ou le garage. Tous les échappements doivent être dirigés à l'extérieur de la maison, à moins que l'option de reprise d'air ne soit utilisée.

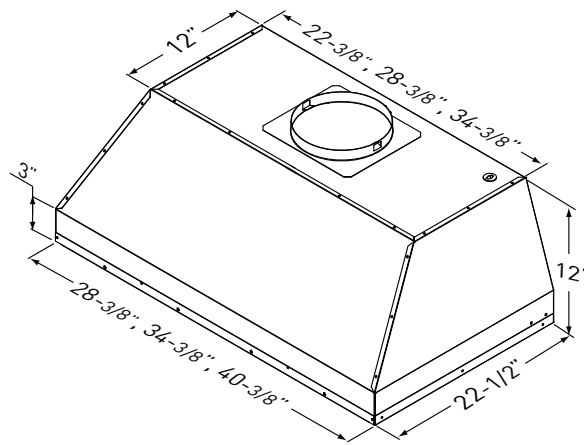
N'utilisez que des conduits en métal pour cloison simple.

Fixez toutes les pièces du conduit avec des vis à tôle et isolez tous les joints avec du ruban adhésif en toile ou du ruban réflecteur certifié.

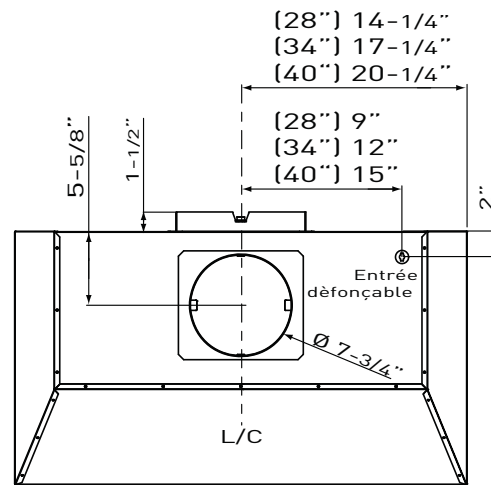
### Quelques options pour le conduit d'aération



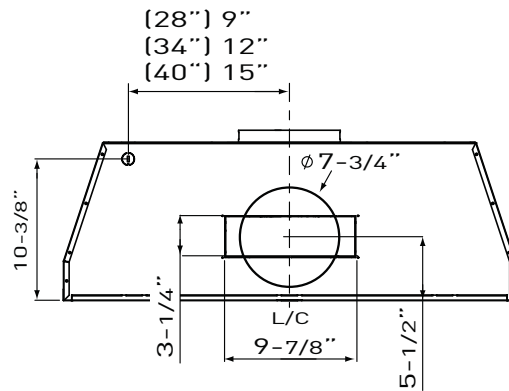
# Installation – Spécifications de la hotte



**Vue 3/4**



**Vue de haut**



**Vue arrière**

## ÉLECTRICITÉ AVERTISSEMENT

Tous les travaux électriques doivent être réalisés par un électricien qualifié ou par une personne possédant l'expérience technique et le savoir-faire nécessaire.

Pour votre sécurité, enlevez le fusible ou ouvrez le disjoncteur de circuit avant de commencer l'installation. N'utilisez pas de cordon prolongateur ou de fiche d'adaptation avec cet appareil.

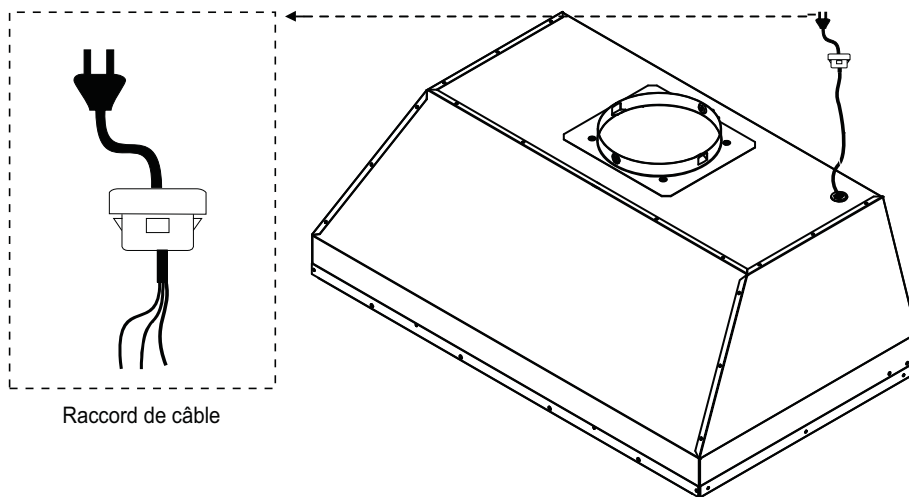
Suivez les codes et réglementations nationaux ou locaux en vigueur.

### Alimentation électrique:

Cet appareil requiert une alimentation électrique de 120V 60 Hz. Il doit être connecté à un circuit terminal individuel dûment mis à la terre, protégé par un disjoncteur de circuit ou un fusible temporisé de 15 ou 20 ampères. Le câblage doit compter 2 fils avec mise à la terre. Veuillez consulter le diagramme électrique apposé sur l'appareil.

### Raccord de câble:

Un raccord de câble (non inclus) pourrait également être exigé par les normes et les réglementations locales. Informez-vous des exigences et des normes locales. Achetez et installez le connecteur approprié si nécessaire.



**ATTENTION:** Compte tenu du poids et des dimensions de la hotte, au moins deux installateurs sont nécessaires.

**Dans la mesure du possible, allumez l'appareil et assurez-vous du bon fonctionnement de toutes les fonctions avant de procéder à l'installation.**

1. Enlevez tout le matériel d'emballage et la pellicule de protection avant de procéder à l'installation. Pour éviter d'égratigner ou d'endommager l'acier inoxydable, faites preuve de prudence durant l'installation.
2. Pratiquez une ouverture dans la partie inférieure de l'armoire selon les dimensions apparaissant à la FIG. 1. Si le conduit est installé horizontalement, pratiquez également une ouverture à l'arrière de l'armoire (s'il y a lieu). FIG. 2.
3. Préparez le boîtier pour le fixer à l'armoire en suivant les étapes de la page 11, pour une installation verticale, ou les pages 12-14, pour une installation horizontale. **Passez à l'étape 4 lorsque vous avez terminé la préparation.**
4. Soulevez le boîtier jusqu'à l'ouverture sous l'armoire et fixez-le à l'intérieur de l'armoire à l'aide des huit (8) vis #8 x 1/2" en acier inoxydable; (4) vis à l'avant et (4) vis sur les côtés. FIG. 3.

**AVERTISSEMENT :** Assurez-vous que la surface à laquelle vous fixez le boîtier peut soutenir le poids de la hotte AK94, sans quoi une personne pourrait se blesser ou la surface de cuisson ou le comptoir pourraient être endommagés.

5. Terminez l'installation des composantes électriques et du conduit. Scellez le conduit avec du ruban à conduit certifié en aluminium. Allumez l'appareil, vérifiez s'il y a des fuites autour des joints et assurez-vous du bon fonctionnement de l'appareil.

**NOTE :** Si vous n'avez pas accès à la partie supérieure du boîtier, vous pourriez avoir à procéder à l'installation des composantes électriques et du conduit avant d'installer le boîtier.

6. Réinstallez le panneau inférieur que vous avez enlevé au début de l'installation ainsi que les panneaux d'habillage latéraux (s'il y a lieu), le collecteur de graisse et les filtres déflecteurs.

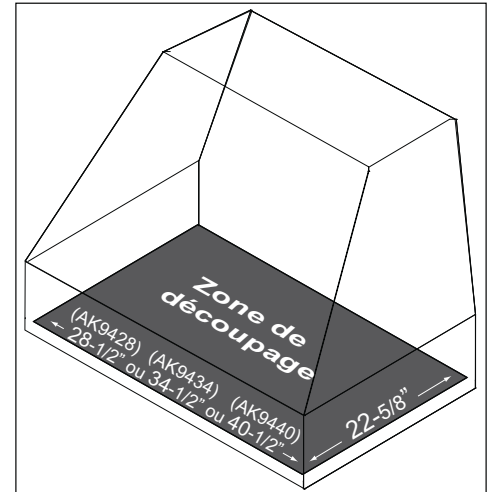


FIG. 1

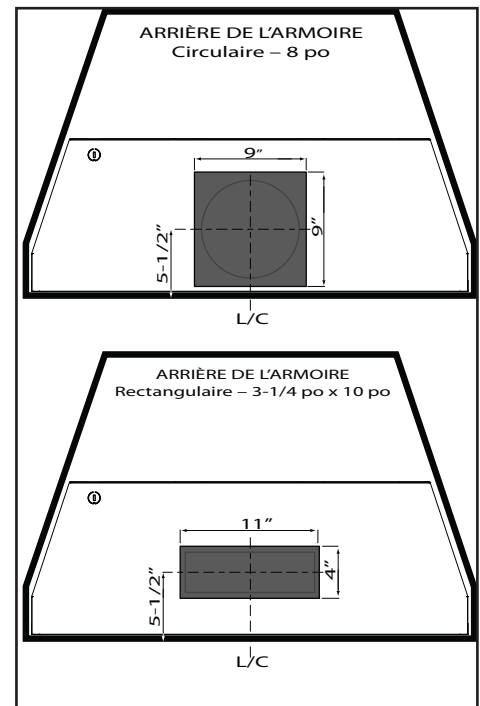


FIG. 2

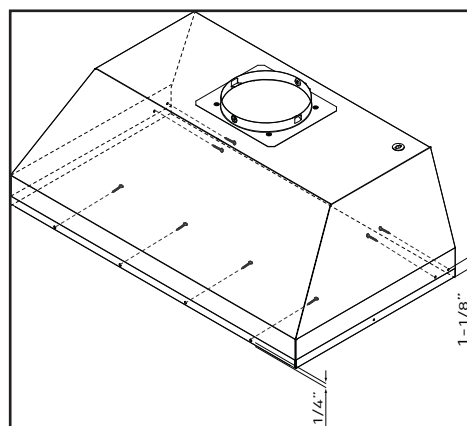
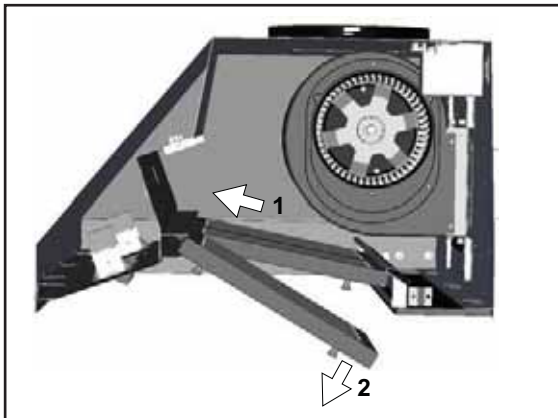
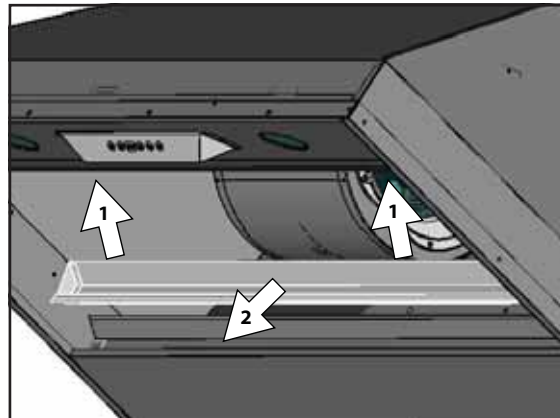


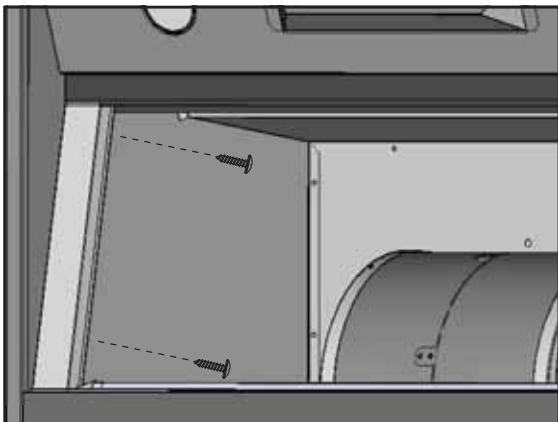
FIG. 3



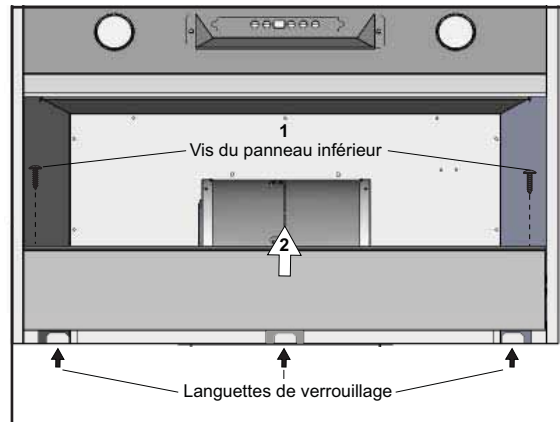
1. Enlevez les filtres déflecteurs de la façon suivante : (1) Tirez le filtre vers l'avant du boîtier. (2) Faites pivoter l'arrière du filtre vers le bas.



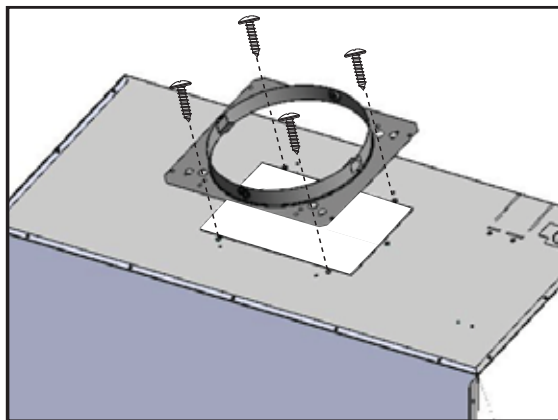
2. Enlevez le collecteur de graisse de la façon suivante : (1) Poussez le collecteur vers le haut pour le libérer du panneau inférieur. (2) Retirez le collecteur du boîtier.



3. (le cas échéant) Enlevez les panneaux d'habillage latéraux en retirant les (2) vis se trouvant à l'arrière de chaque panneau.



4. Enlevez le panneau inférieur de la façon suivante : (1) Enlevez les (2) vis des deux côtés du panneau inférieur. (2) Tirez le panneau inférieur vers l'avant du boîtier pour le libérer des languettes de verrouillage.

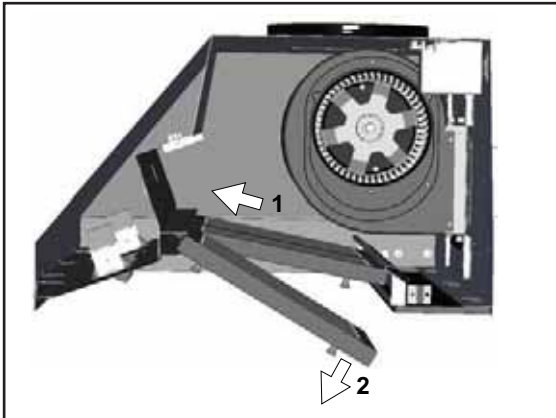


5. Fixez l'adaptateur circulaire de 8" à la partie supérieure du boîtier à l'aide de (4) vis M4 x 6 mm.

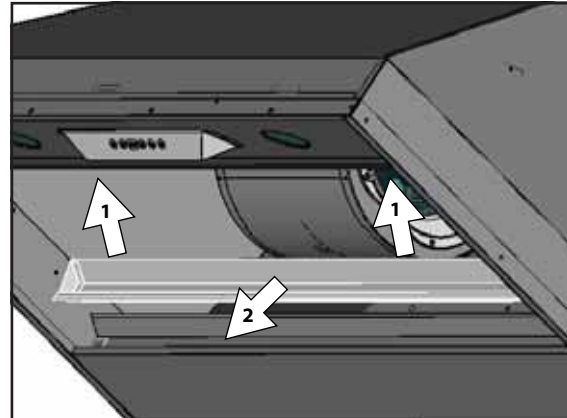


6. La préparation pour l'installation verticale du conduit est terminée. Retournez à l'étape 4 de la page 10 pour terminer l'installation.

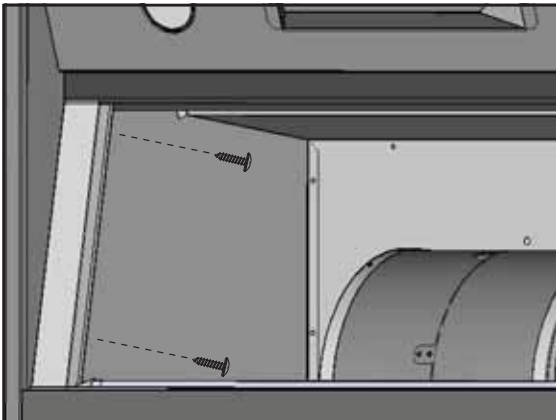
Installation – Préparation pour le conduit horizontal



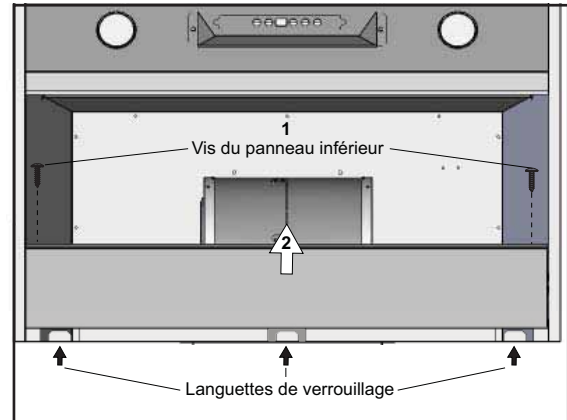
1. Enlevez les filtres déflecteurs de la façon suivante : (1) Tirez le filtre vers l'avant du boîtier. (2) Faites pivoter l'arrière du filtre vers le bas.



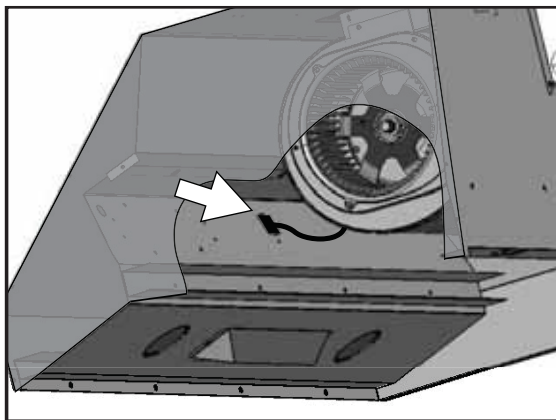
2. Enlevez le collecteur de graisse de la façon suivante : (1) Poussez le collecteur vers le haut pour le libérer du panneau inférieur. (2) Retirez le collecteur du boîtier.



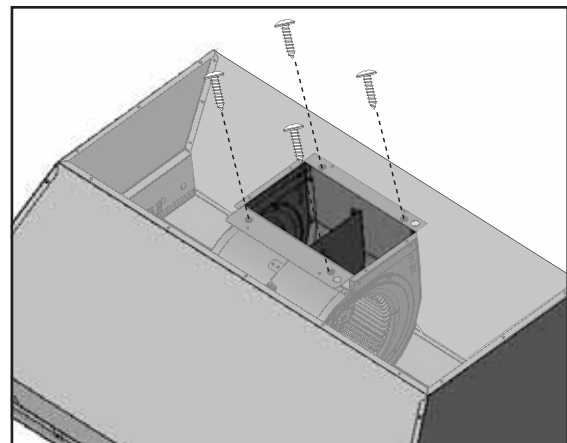
3. (le cas échéant) Enlevez les panneaux d'habillage latéraux en retirant les (2) vis se trouvant à l'arrière de chaque panneau.



4. Enlevez le panneau inférieur de la façon suivante : (1) Enlevez les (2) vis des deux côtés du panneau inférieur. (2) Tirez le panneau inférieur vers l'avant du boîtier pour le libérer des languettes de verrouillage.

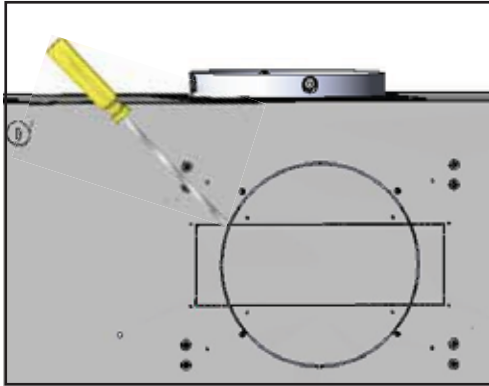


5. Débranchez le connecteur Molex.

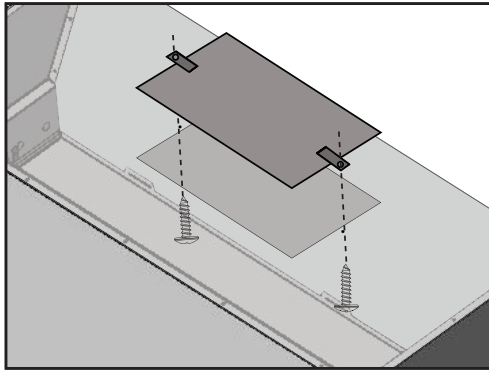


6. Enlevez le ventilateur du boîtier en retirant les (4) vis 3/16" x 3/8" de la partie supérieure du boîtier. Gardez les vis de côté pour une utilisation ultérieure.

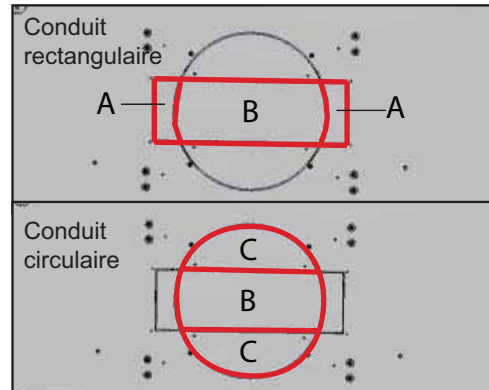




7. À l'aide d'un tournevis plat, enlevez l'entrée défonçable circulaire de 8" ou l'entrée défonçable rectangulaire de 3 1/4"x10", toutes deux situés à l'arrière du boîtier.



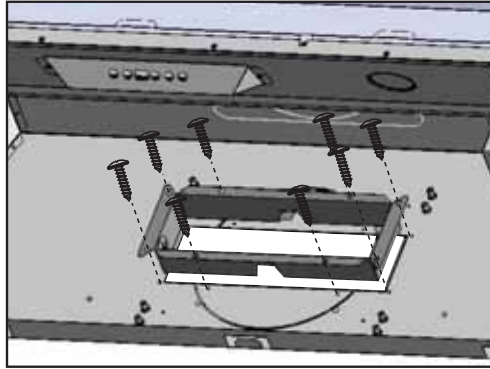
9. Placez la plaque supérieure rectangulaire sur l'ouverture du boîtier. NOTE : Assurez-vous que les languettes de la plaque se trouvent sur le dessus de la plaque, comme illustré. Fixez la plaque sur le dessus du boîtier à partir de l'intérieur à l'aide des (2) vis 3/16 x 3/8.



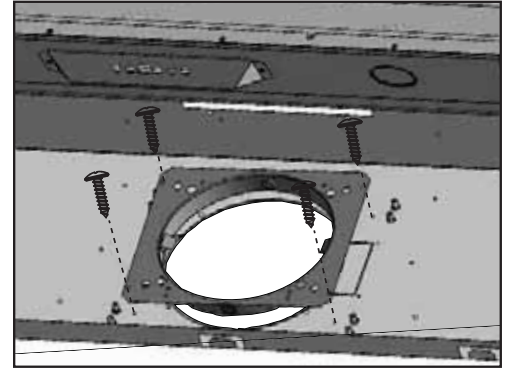
8. Enlevez les entrées défonçables A et B pour installer un conduit rectangulaire. Enlevez les entrées défonçables B et C pour installer un conduit circulaire.

**Vous devez maintenant fixer le boîtier à l'armoire en suivant l'étape 4 de la page 10. Une fois que vous avez terminé l'installation du boîtier, continuez l'installation, comme indiqué à la page 14.**

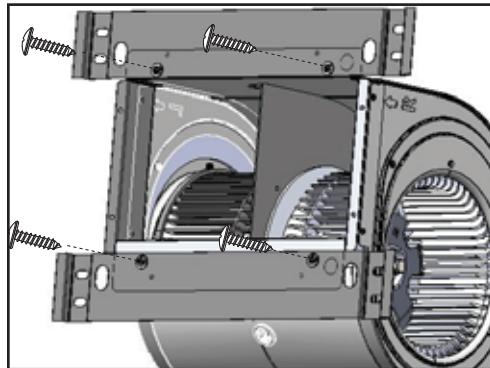
# Installation – Préparation pour le conduit horizontal



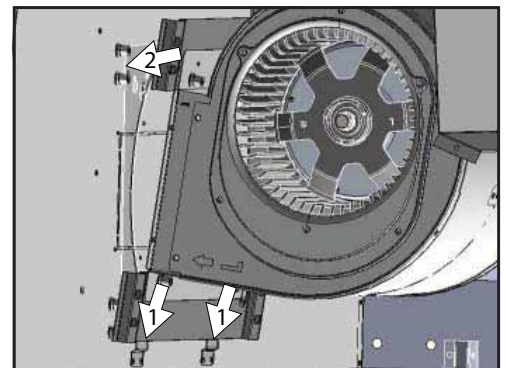
10. **(Conduit rectangulaire)** À partir de l'intérieur du boîtier, installez l'adaptateur rectangulaire de 3-1/4" x 10" dans l'entrée défonçable arrière et fixez-le à la paroi intérieure arrière du boîtier à l'aide de (8) vis M4 x 6 mm.



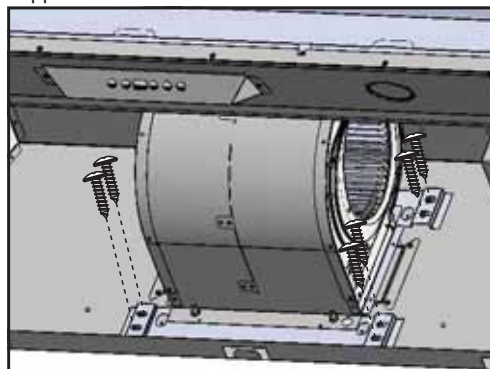
10. **(Conduit circulaire)** À partir de l'intérieur du boîtier, installez l'adaptateur circulaire de 8" dans l'entrée défonçable arrière et fixez-le à la paroi intérieure arrière du boîtier à l'aide de (4) vis M4 x 6 mm.



11. Fixez (2) supports de conduit horizontal au ventilateur, comme illustré ci-dessus, à l'aide des (4) vis 3/16" x 3/8" que vous avez enlevées à l'étape 6 de la page 12, deux (2) vis pour chaque support.

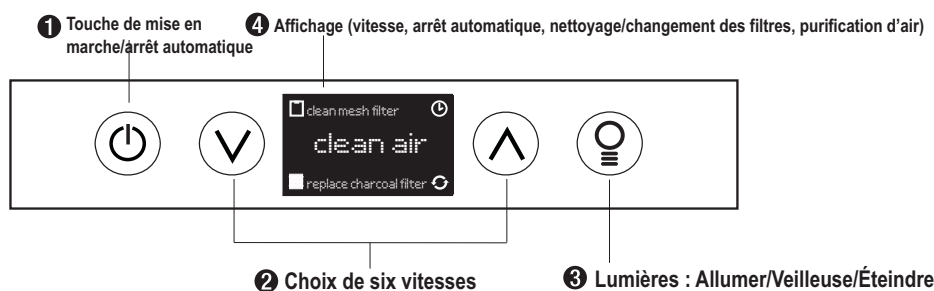


12. Placez le ventilateur à l'intérieur du boîtier, comme illustré, de la façon suivante : (1) Appuyez le support inférieur du conduit horizontal sur les deux attaches de soutien situées à l'intérieur de la paroi intérieure du boîtier. (2) Faites pivoter le support supérieur du conduit horizontal de façon à ce qu'il s'engage dans les écrous captifs de la paroi arrière intérieure.






13. Fixez le ventilateur aux écrous captifs de l'intérieur de la paroi arrière du boîtier à l'aide de (8) vis 3/16" x 3/8", soit (4) vis pour chaque support. Scellez tout espace autour de la plaque de l'entrée défonçable avec du ruban à conduit en aluminium. Branchez le connecteur Molex.

**La préparation pour l'installation verticale du conduit est terminée. Retournez à l'étape 5 de la page 10 pour terminer l'installation.**






### 1-Touche de mise en marche/arrêt automatique


#### Fonction de mise en marche

- La touche  permet d'allumer et d'éteindre la hotte (ventilateur et lumières).
- Lorsqu'elle est éteinte, la hotte garde en mémoire la dernière vitesse et le dernier niveau d'éclairage (Exemple : Vous appuyez sur la touche  lorsque le ventilateur est à la vitesse 4 et que les lumières sont à haute intensité. Si vous appuyez de nouveau sur la touche  pour allumer la hotte, le ventilateur se remet en marche à la vitesse 4 et les lumières s'allument à haute intensité).

#### Fonction d'arrêt automatique

- Appuyez sur le bouton  et tenez-le enfoncé pendant deux secondes pour que le ventilateur s'allume à la vitesse 1. Le symbole  s'illumine. Après cinq minutes, le ventilateur et les lumières s'éteignent automatiquement.
- Si vous appuyez sur le bouton  lorsque la fonction d'arrêt automatique est activée, la hotte s'éteint et annule la fonction d'arrêt automatique.

#### Débit d'air contrôle de la technologie (ACT)

- ACT permet à l'utilisateur de contrôler le maximum CFM de la ventilateur.
  - Pour vérifier le CFM de vos ventilateur:
    - Avec la hotte désactivé, maintenez le bouton  pendant trois secondes. Le CFM de la ventilateur sera affiché sur l'écran LCD.

### 2-Touche de choix de vitesse

#### Touche de réduction de la vitesse du ventilateur

- Appuyez sur ce bouton pour réduire la vitesse du ventilateur. 6 (Rafale), 5, 4, 3, 2, 1.
- Si le ventilateur est à la vitesse 1 lorsque vous appuyez sur cette touche, il s'éteint.

#### Touche d'augmentation de la vitesse du ventilateur





- Appuyez sur ce bouton pour augmenter la vitesse du ventilateur. 1, 2, 3, 4, 5, 6 (Rafale).
- Si la hotte est éteinte lorsque vous appuyez sur cette touche, le ventilateur s'allume à la vitesse 1.





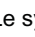




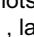
#### Mode Rafale

- Cette vitesse est conçue pour changer l'air intensément et rapidement lorsqu'une grande quantité de fumée est générée. Après trois minutes, le ventilateur passe automatiquement à la vitesse 5.

### 3-Touche des lumières

- Il y a deux intensités pour les lumières : haute et basse.
- Lorsqu'elles sont éteintes, appuyez une fois pour allumer les lumières à haute intensité. Les mots « lights hi » apparaissent pendant deux secondes à l'écran LCD.
- Appuyez de nouveau pour les mettre à basse intensité. Les mots « lights lo » apparaissent pendant deux secondes sur l'écran LCD.
- Appuyez encore une fois pour éteindre les lumières.

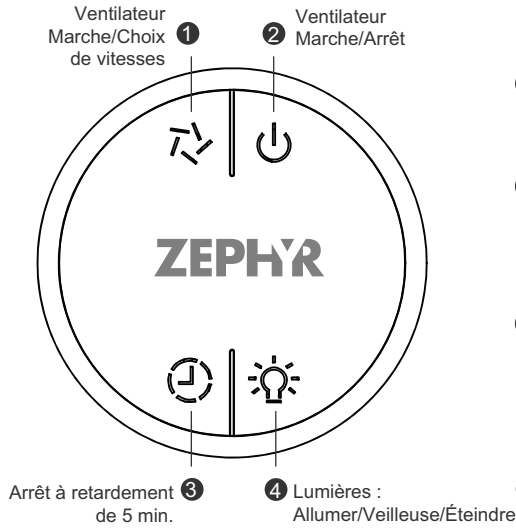
-  **Indicateur de nettoyage des filtres à tamis** (toujours en fonction)
- Après 30 heures d'utilisation du ventilateur, le symbole  et les mots « clean mesh filter » s'illuminent, indiquant qu'il est temps de nettoyer les filtres à tamis. Le symbole et les mots restent illuminés jusqu'à la réinitialisation de la fonction.
  - **Pour réinitialiser** : Lorsque la hotte est éteinte, appuyez et tenez la touche  enfoncée pendant trois secondes. Après trois secondes, le symbole  et les mots « clean mesh filter » s'éteignent et le temporisateur de 30 heures est réinitialisé.

-  **Indicateur de purification d'air**
- La fonction de purification d'air allume le ventilateur pour une période de dix minutes toutes les quatre heures pour enlever l'air stagnant qui flotte dans la cuisine.
    - Pour activer la fonction de purification d'air :
      - Lorsque la hotte est éteinte, appuyez et tenez simultanément les touches  et  pendant trois secondes. Le symbole  et les mots « clean air » s'illuminent et le ventilateur se met en marche à la vitesse 1 pendant dix minutes. Après dix minutes, le ventilateur s'éteint et le temporisateur de quatre heures est réinitialisé.
      - Le symbole  reste illuminé lorsque la fonction de purification d'air est activée, même si le ventilateur n'est pas allumé.
    - Pour désactiver la fonction de purification d'air :
      - Lorsque la hotte est éteinte, appuyez et tenez simultanément les touches  et  pendant trois secondes jusqu'à ce que le symbole  s'éteigne.
  - Si l'utilisateur change la vitesse du ventilateur lorsque la fonction de purification d'air est en cours de marche, les mots « clean air » s'éteignent, mais le symbole  reste illuminé. Si l'utilisateur appuie sur la touche  , la période de quatre heures est réinitialisée.

**Mise en garde de la Commission fédérale des communications:** Dans le but d'assurer une conformité continue, toute modification apportée sans l'approbation expresse du parti responsable de la conformité pourrait annuler l'autorisation de l'utilisateur de faire fonctionner cet appareil. (Exemple – N'utilisez que des câbles d'interface armés lors du branchement à un ordinateur ou à un périphérique.) Cet appareil respecte l'article 15 des réglementations FCC. Le fonctionnement doit respecter les deux réglementations suivantes : (1) cet appareil ne doit pas causer de brouillage nuisible et (2) cet appareil doit pouvoir recevoir tout type d'interférence, dont des interférences qui pourraient causer un fonctionnement involontaire. La commande à distance peut fonctionner dans des milieux humides, mais ne devrait pas être laissée sur une surface trempée.

**Synchronisation:** Pour créer un lien unique entre votre hotte et la télécommande s'il vous plaît suivez les étapes ci-dessous: 1. Avec la hotte hors tension, appuyez et maintenez le touche «Lights» sur la hotte jusqu'à ce l'écran LCD clignote sur et en dehors. 2. Appuyez sur la touche «Lights» de la télécommande, les feux sur le capot se mettra en marche. La synchronisation est terminée.

**FONCTIONS DE LA COMMANDE À DISTANCE :**



**1 Ventilateur Allumer/Choix de vitesses**

Appuyez sur pour mettre le ventilateur en marche et choisir l'une des six vitesses de fonctionnement.

**2 Ventilateur Marche/Arrêt**

Appuyez sur pour allumer le ventilateur à la vitesse à laquelle il fonctionnait lorsque vous l'avez éteint. Appuyez de nouveau sur et toutes les fonctions de l'appareil s'éteignent, y compris les lumières.

**3 Arrêt à retardement**

Appuyez sur pour activer la fonction d'arrêt à retardement du ventilateur et des lumières. Le symbole s'allume pour montrer que la fonction est activée. La hotte passera à la vitesse 1 et s'éteindra après 5 minutes.

**4 Lumières : Allumer/Veilleuse/Éteindre**

Appuyez une fois sur le bouton pour allumer les lumières, une deuxième fois pour les mettre en veilleuse et une troisième fois pour les éteindre.

**FONCTIONS DE LA COMMANDE À DISTANCE :**

La commande à distance radioélectrique est munie d'un aimant pour un entreposage facile. La commande peut être mise sur n'importe quelle surface magnétique, comme un réfrigérateur ou le support à commande Zephyr (FIG. 4). Le support à commande peut s'installer à une prise électrique standard pour un rechargement facile. Note : Le support à commande ne recharge pas la commande à distance RF.

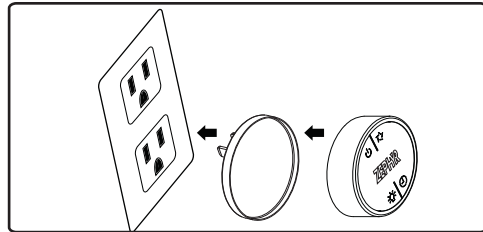


FIG. 4

La distance maximale de l'appareil à laquelle la commande fonctionne est de 15 pieds.

**ENTRETIEN DE LA COMMANDE À DISTANCE :**

Nettoyez la commande à distance avec des détergents non abrasifs.

**Suivez les instructions ci-dessous pour remplacer la pile.**

Enlevez le couvercle du compartiment à pile (A) à l'aide d'un tournevis plat pour avoir accès au compartiment de la pile (FIG. 5).

Enlevez la pile et remplacez-la par une pile **A23 12V**.

L'extrémité négative devrait faire face au ressort à l'intérieur de la commande à distance.

Remettez le couvercle du compartiment en place et recyclez la vieille pile.

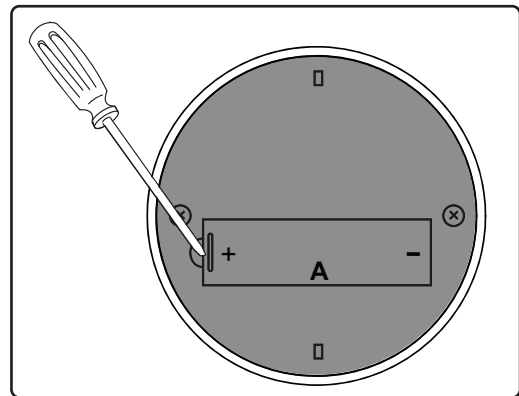


FIG. 5


**ENTRETIEN DES SURFACES:**

Nettoyez régulièrement les surfaces de la hotte avec de l'eau savonneuse chaude et un chiffon de coton propre. N'utilisez pas de détergent abrasif ou corrosif, de laines d'acier ou de tampons à récurer; ils égratigneront et endommageront les surfaces. N'utilisez pas de produits à blanchir au chlore ou d'agents nettoyeurs « orange ».

Pour les taches plus tenaces, utilisez du produit dégraissant liquide.

Après le nettoyage, vous pouvez polir les surfaces avec des produits de polissage à acier inoxydable non abrasifs pour redonner de l'éclat et du lustre aux surfaces. Frottez toujours doucement, avec un chiffon de coton propre, et dans le sens du grain.

**Nettoyage des filtres déflecteurs**

Les filtres déflecteurs installés par le fabricant ont pour fonction de filtrer les résidus et la graisse de cuisson. Bien qu'ils ne nécessitent aucun remplacement sur une base régulière, les filtres doivent être nettoyés tous les 30 jours ou lorsque l'icône de nettoyage des filtres  s'allume sur le tableau de commande.

Vous pouvez laver les filtres au lave-vaisselle avec de l'eau tiède ou les faire tremper dans de l'eau chaude savonneuse. Séchez les filtres et réinstallez-les avant d'utiliser la hotte.

**Installation des filtres déflecteurs (FIG. 6):**

1. Placez le filtre vis-à-vis de l'entaille supérieure, comme illustré, poussez-la vers le fond du boîtier à l'aide des poignées.
2. Faites pivoter l'arrière du filtre vers le haut de façon à ce qu'il boîtier.
3. Poussez le filtre dans la rainure de l'arrière du boîtier pour le place.

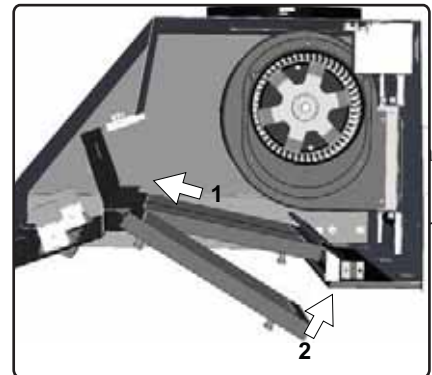


FIG. 6

**Remplacement des filtres déflecteurs:**

Modèle de hotte:	No de pièce	Qtée à commander
AK9428AS / AK9434AS	50210013 (grand)	2
AK9434AS	50210017 (petit)	1
AK9440AS	50210013 (grand)	3

**Nettoyage du collecteur à graisse**

Le collecteur à graisse est conçu pour capter les résidus et la graisse qui s'égoutte des filtres déflecteurs. Vous devriez nettoyer le collecteur à graisse en même temps que les filtres déflecteurs. Nettoyez le collecteur à graisse en le faisant tremper dans de l'eau chaude savonneuse et en le frottant doucement avec un chiffon pour enlever les résidus. Séchez le collecteur à graisse et réinstallez-le avant d'utiliser la hotte.

**Comment enlever le collecteur à graisse**

Le collecteur à graisse est muni d'une lèvre à crochet qui permet de le fixer au rebord supérieur du panneau inférieur. Enlevez le collecteur à graisse de la façon suivante :

1. Poussez le collecteur vers le haut pour le libérer du panneau inférieur (FIG. 7-1).
2. Retirez le collecteur du boîtier (FIG. 7-2).

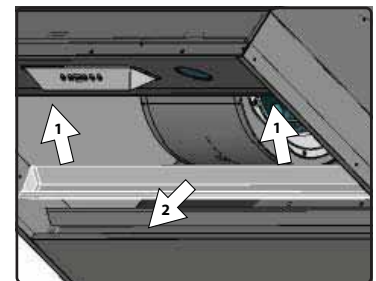


FIG. 7

PROCÉDURES DE DÉPANNAGE POUR LA HOTTE MONSOON DCBL

Problème	Cause	Solution
Après l'installation, l'appareil ne fonctionne pas.	1. Le bloc d'alimentation n'est pas allumé	1. Assurez-vous que l'alimentation du disjoncteur et de l'appareil est allumée
	2. La ligne électrique et le raccord de câble ne sont pas correctement branchés	2. Vérifiez que le branchement de l'appareil a été fait correctement
	3. Les fils électriques du tableau de contrôle et de commande sont débranchés	3. Assurez-vous que les fils électriques entre les tableaux de contrôle et de commande sont branchés convenablement
	4. Les câbles du tableau de contrôle sont desserrés.	4. Assurez-vous que les câbles du tableau de contrôle sont branchés adéquatement.
	5. Tableau de contrôle/commande défectueux	5. Remplacez le tableau de contrôle/commande
Les lumières fonctionnent, mais le ventilateur ne tourne pas.	1. Le câble du ventilateur n'est pas branché.	1. Assurez-vous que le câble du ventilateur est branché dans le connecteur Molex.
	2. Le système de protection thermique détecte que le ventilateur est trop chaud pour fonctionner et l'éteint.	2. Le ventilateur fonctionnera normalement lorsque le système de protection thermique aura refroidi
	3. Le condensateur est endommagé	3. Remplacez le condensateur
	4. La broche du connecteur Molex ne fait pas contact.	4. Débranchez le connecteur Molex, vérifiez les broches situées à l'intérieur du connecteur Molex pour voir si l'une d'elles est trop loin à l'intérieur du connecteur. Remplacez la broche au besoin.
	5. Le ventilateur est défectueux, possiblement bloqué.	5. Remplacez le ventilateur.
L'appareil vibre	1. Le ventilateur n'est pas bien fixé en place	1. Fixez bien le ventilateur en place.
	2. La hotte n'est pas bien fixée en place.	2. Vérifiez l'installation de la hotte.
	3. L3. La roue du ventilateur est endommagée.	3. Remplacez le ventilateur.
L'appareil émet un sifflement	1. L'un des filtres est mal placé.	1. Ajustez les filtres jusqu'à ce que le sifflement cesse.
	2. Les joints des tuyaux ne sont pas bien scellés ou les conduits ne sont pas connectés adéquatement.	2. Vérifiez les joints du conduit pour vous assurer qu'ils sont adéquatement scellés.
Le ventilateur fonctionne, mais pas les lumières.	1. L'ampoule DEL est grillée.	1. Remplacez l'ampoule DEL.
	2. La prise de l'ampoule est débranchée.	2. Branchez la prise de l'ampoule.
Les niveaux de vitesse de la soufflerie le même son.	1. Utilisation de la mauvaise taille de canalisation.	1. Changer le conduit a au moins 8" ou plus.
	2. ACT permis soufflerie CFM a 290 ou 440 CFM.	2. Le niveau de bruit distinction entre certains des vitesses peut être minimale quand ACT permis ventilateur est réglé a 290 ou 440 CFM.
La hotte ne fonctionne pas bien.	1. La hotte est possiblement installée trop haut par rapport à la cuisinière	1. Ajustez la distance entre la surface de la cuisinière et la base de la hotte entre 26" et 36"
	2. Du vent provenant d'une fenêtre ou d'une porte ouverte avoisinante nuit à la ventilation	2. Fermez toutes les portes et fenêtres pour éliminer les courants d'air
	3. L'ouverture du conduit ou le conduit lui-même est bloqué	3. Enlevez tout ce qui bloque l'ouverture ou le conduit d'aération
	4. L'ouverture du conduit est contre le vent	4. Ajustez l'orientation de l'ouverture du conduit
	5. Mauvaises dimensions de conduit d'aération	5. Remplacez le conduit par un conduit adéquat.
La commande à distance RF ne fonctionne pas	1. La pile est morte.	1. Remplacez la pile par une pile A23 12v.
	2. Mauvaise communication avec le bloc d'alimentation	2. La commande à distance doit se trouver à moins de 15 pieds de l'appareil.
	3. La commande à distance RF a perdu la communication avec la hotte.	3. Réinitialiser liner et à distance par la mise hors tension de commutation au niveau du disjoncteur pendant 5 minutes. Effectuer processus de synchronisation à distance à la page 17.

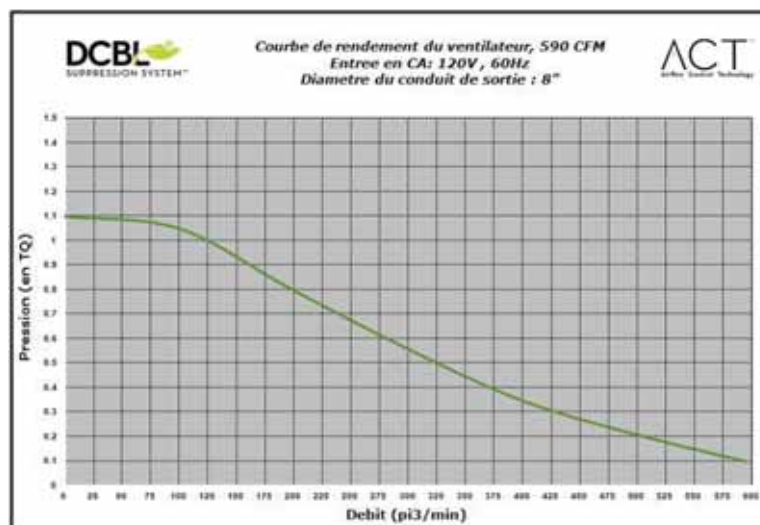
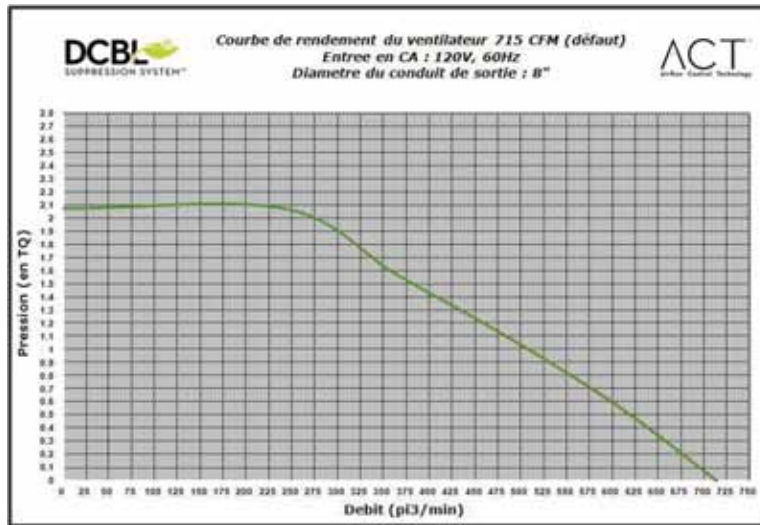
# Tableau De Rendement Du Ventilateur

## Débit d'air contrôle de la technologie (ACT)

Certains codes locaux de limiter le montant maximum de CFM qu'une hotte de cuisinière peut se déplacer. ACT vous permet de contrôler le maximum CFM de les hottes avec le système de répression DCBL à partir de Zephyr sans avoir besoin de coûteux kits pour l'air de remplacement. ACT permet à l'installateur de régler facilement la vitesse maximale du ventilateur à l'un des trois les plus couramment prescrits niveaux de CFM; 590, 440 ou 290 CFM. L'utilisation de l'ACT peut-être pas nécessaire pour votre installation. S'il vous plaît vérifiez vos codes locaux pour connaître les restrictions des CFM.

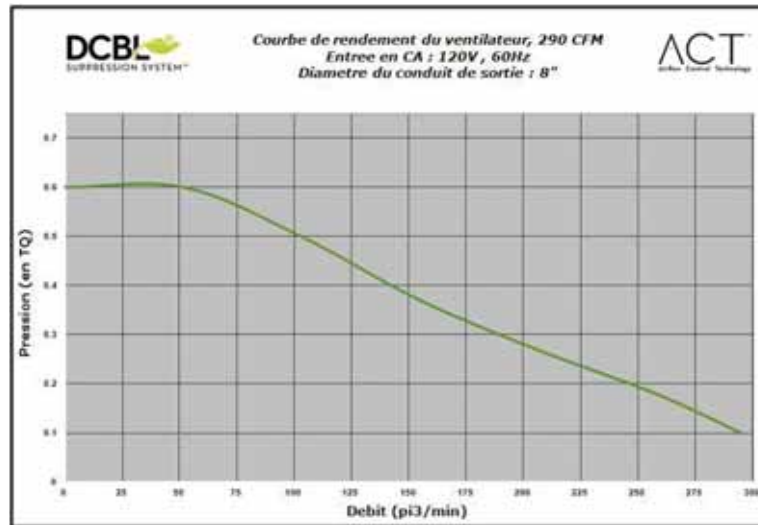
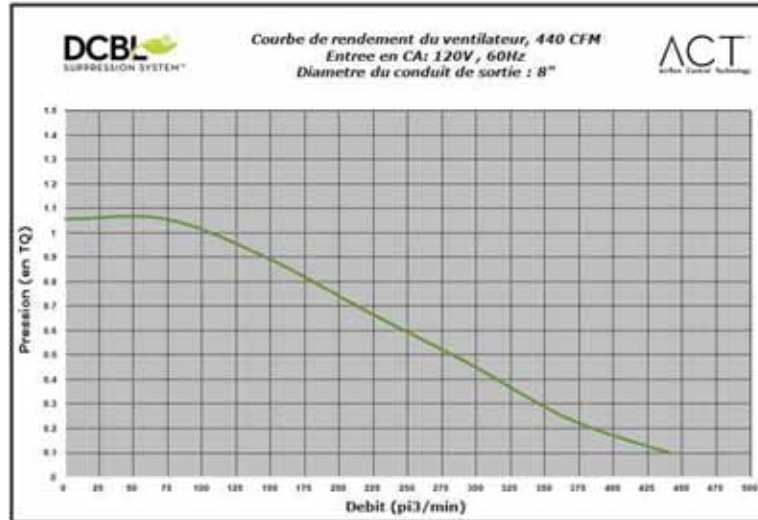
Par défaut, le CFM maximale du le ventilateur est réglé à 715.

Pour vérifier si votre installateur a permis ACT; Avec le hotte désactivé, appuyez et maintenez le bouton d'alimentation pendant trois secondes. Le CFM du le ventilateur sera affiché sur l'écran LCD. Il y a devrait également être une étiquette feuille d'aluminium situé à l'intérieur du corps de la hotte à proximité de la schéma de câblage qui indique le CFM du le ventilateur.

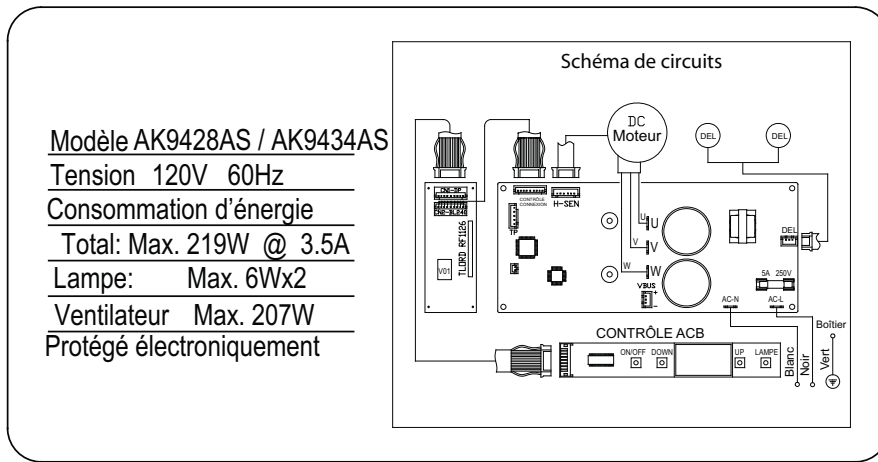




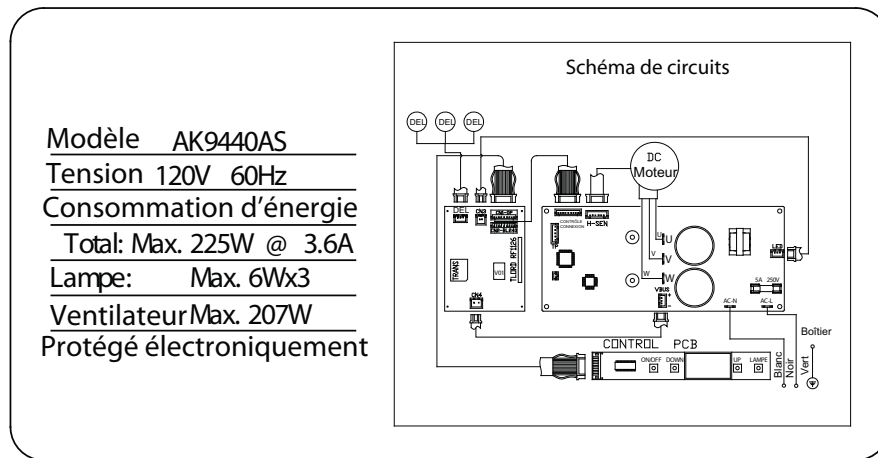
# Tableau De Rendement Du Ventilateur



# Schéma de câblage



Consommation montré pour défaut de configuration du ventilateur 715 CFM



Consommation montré pour défaut de configuration du ventilateur 715 CFM

ACT 590 CFM - Ventilateur Max. 130W @ 1.8A

ACT 440 CFM - Ventilateur Max. 70W @ 1A

ACT 290 CFM - Ventilateur Max. 35W @ .55A

---

**DESCRIPTION****N° DE PIÈCE****Pièces de remplacement**

Filtre déflecteur pour AK9428AS/AK9434AS/AK9440AS, grand (chaque)	50210013
Filtre déflecteur pour AK9434AS, petit (chaque)	50210017
Commande à distance RF	14000005

Pour commander des pièces, visitez-nous en ligne au [www.zephyronline.com](http://www.zephyronline.com) ou communiquez avec nous par téléphone au 1-888-880-8368

# ZEPHYR

## Garantie limitée

### AGRAFEZ VOTRE REÇU ICI

Une preuve de la date d'achat originale est nécessaire pour obtenir du service lorsque le produit est sous garantie

**POUR OBTENIR DU SERVICE SOUS GARANTIE OU POUR TOUTE QUESTION LIÉE À L'ENTRETIEN, veuillez communiquer avec nous au 1-888-880-8368**

Zephyr Corporation (désigné aux présentes sous le nom de « nous ») garantit au premier acheteur (désigné aux présentes sous le nom de « vous » ou « votre ») de produits Zephyr (les « Produits ») que lesdits produits sont exempts de défauts de fabrication ou de main-d'œuvre selon les conditions suivantes :

**Garantie de trois ans sur les pièces et la lampe LED:** Garantie de trois ans à partir de la date d'achat originale du Produit. Nous fournirons sans frais les Produits ou les pièces de remplacement qui comportaient des défauts de fabrication. Nous pourrions choisir, à notre seule discrétion, de réparer ou de remplacer des pièces avant de prendre la décision de remplacer le Produit.

**Garantie limitée d'un an sur la main-d'œuvre :** Garantie d'un an à partir de la date d'achat originale du Produit. Nous couvrirons sans frais les frais de main-d'œuvre afférents à la réparation du Produit ou des pièces de remplacement qui comportaient des défauts de fabrication. Un an après la date d'achat originale, vous serez responsable de tous les frais de main-d'œuvre associés à la présente garantie.

**Exclusions de la garantie :** Cette garantie ne couvre que la réparation ou le remplacement, à notre gré, de pièces ou de Produits défectueux et ne couvre aucun autre coût afférent aux Produits, dont, sans s'y limiter, les frais liés : (a) à l'entretien normal des Produits et au remplacement des pièces consommables, les filtres métalliques, les filtres à charbon et les fusibles; (b) à tout Produit ou pièce ayant été endommagé durant le transport ou étant le résultat d'un mauvais usage, d'une négligence, d'un accident, d'une installation incorrecte ou ne respectant pas les notices d'installation recommandées, d'un entretien ou d'une réparation inapproprié (dont ne nous sommes pas responsables); (c) à une utilisation commerciale ou ne correspondant pas à l'utilisation pour laquelle les Produits sont conçus; (d) à l'usure naturelle du fini, à l'usure due à un entretien inadéquat, à l'utilisation de produits nettoyants corrosifs ou abrasifs, de tampons nettoyeurs et de produits de nettoyage pour le four; (e) aux éclats, entailles ou fissures résultant d'un abus ou d'une mauvaise utilisation du Produit; (f) aux déplacements d'un technicien de service à votre domicile pour vous montrer comment utiliser les Produits; (g) aux dommages causés par un accident, un incendie, une inondation ou un cas fortuit. Si vous vous trouvez à l'extérieur du territoire que nous desservons, des frais supplémentaires pourraient s'appliquer pour la livraison des produits à nos points de service désignés pour une réparation sous garantie ou vous pourriez avoir à déboursier les frais de déplacement du technicien à votre domicile pour que le Produit soit réparé, enlevé ou réinstallé. Un an après la date d'achat originale du Produit, vous êtes également responsable de tous les frais de main-d'œuvre associés à la présente garantie.

**Restrictions de la garantie. NOTRE OBLIGATION DE RÉPARER OU DE REMPLACER, À NOTRE GRÉ, LE PRODUIT CONSTITUE VOTRE SEUL ET UNIQUE RECOURS SOUS LA PRÉSENTE GARANTIE. NOUS NE NOUS PORTONS PAS RESPONSABLES POUR TOUT DOMMAGE INDIRECT, ACCESSOIRE OU PARTICULIER RÉSULTANT OU AYANT UN LIEN AVEC L'UTILISATION OU LE RENDEMENT DES PRODUITS. LES GARANTIES EXPRESSES DE LA SECTION PRÉCÉDENTE SONT EXCLUSIVES ET TIENNENT LIEU DE TOUTE AUTRE GARANTIE EXPRESSE. PAR LES PRÉSENTES, NOUS REJETONS ET EXCLUONS TOUTE AUTRE GARANTIE EXPRESSE POUR LES PRODUITS ET TOUTES LES GARANTIES TACITES PRÉVUES PAR LA LOI, DONT CELLES RELATIVES À LA QUALITÉ MARCHANDE OU À L'ADÉQUATION DU PRODUIT POUR UNE UTILISATION PARTICULIÈRE.** Certains États ou provinces n'autorisent pas les restrictions sur la durée d'une garantie implicite ou l'exclusion ou la restriction des dommages indirects ou accessoires; par conséquent, les exclusions et restrictions mentionnées ci-dessus pourraient ne pas s'appliquer à votre cas. Dans la mesure où une loi applicable interdit l'exclusion de garanties implicites, la durée de toute garantie implicite applicable se limite à la période de deux ans décrite ci-dessus. L'unique objectif de toute description orale ou écrite est de présenter les Produits et celle-ci ne devrait pas être interprétée comme une garantie expresse. Avant d'utiliser ou de permettre l'utilisation des Produits, vous devrez déterminer si les Produits conviennent aux utilisations prévues et vous devrez assumer tout risque et toute responsabilité relatifs à ces utilisations. Nous nous réservons le droit d'utiliser des pièces reconstruites ou remises à neuf pour remplacer l'une des fonctionnalités dans le cadre de la présente garantie ou de l'une des parties de la présente garantie. L'acheteur original ne peut transférer la présente garantie et celle-ci n'est valide qu'aux États-Unis et au Canada.

**Pour obtenir du service sous la garantie :** Pour avoir droit à du service sous garantie, vous devez : (a) nous avertir en utilisant l'adresse ou le numéro de téléphone inscrit ci-dessous dans les soixante jours suivant la détection du défaut; (b) donner le numéro du modèle, le numéro d'identification de la pièce ainsi que le numéro de série; et (c) décrire la nature de tout défaut de la pièce ou du Produit. Au moment de faire la demande de service sous garantie, vous devrez présenter votre preuve d'achat et la preuve de la date d'achat originale. Si nous déterminons que les exclusions de la garantie énumérées ci-dessus s'appliquent ou si vous vous trouvez dans l'incapacité de nous fournir la documentation nécessaire pour obtenir du service, vous serez responsable de tous les frais d'expédition, de déplacement, de main-d'œuvre ou de tout autre coût afférent au service.

Veuillez consulter notre site Web au [www.zephyronline.com](http://www.zephyronline.com) pour savoir si des révisions ont été apportées à la garantie.

**Zephyr Corporation Service Department, 2277 Harbor Bay Parkway, Alameda, CA 94502 1-888-880-8368**