



**PUMP COMPANY**

Zoeller Family of Water Solutions™

MAIL TO: P.O. BOX 16347 • Louisville, KY 40256-0347  
 SHIP TO: 3649 Cane Run Road • Louisville, KY 40211-1961  
 (502) 778-2731 • 1 (800) 928-PUMP • FAX (502) 774-3624

Product information presented here reflects conditions at time of publication. Consult factory regarding discrepancies or inconsistencies.

visit our web site:  
[www.zoeller.com](http://www.zoeller.com)

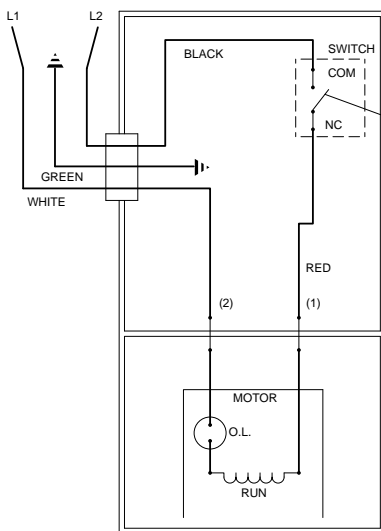
## REPLACEMENT PARTS LIST FOR MODELS:

**M53 AUTOMATIC 115V**  
**D53 AUTOMATIC 230V**  
**N53 NONAUTOMATIC 115V**  
**E53 NONAUTOMATIC 230V**

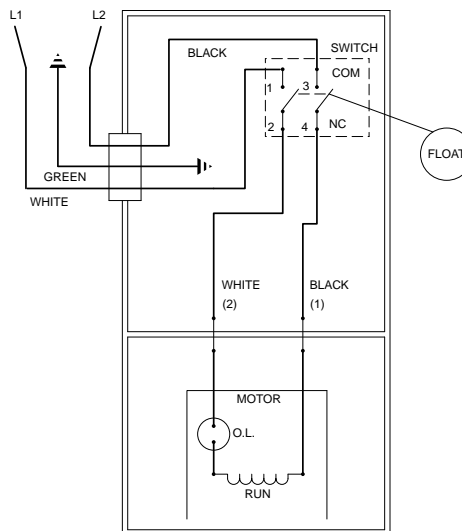
Consult factory for all other models

**TO ORDER REPLACEMENT PARTS:**  
**PLEASE FURNISH THE FOLLOWING INFORMATION:**

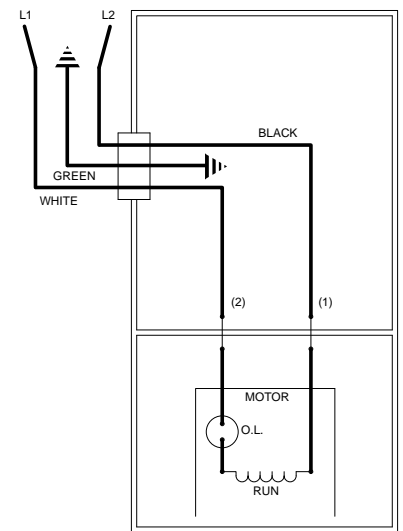
- Model Number.
- Part Number of Pump.  
 (If manufactured prior to June 1988, give 2 letter data code following Model No.)
- Part Number and Description of part.



002385  
 WIRING DIAGRAM FOR MODELS  
 "M53-A" and "D53-A"  
 9/81 (VM) thru 8/86 (US)



004619  
 WIRING DIAGRAM FOR MODELS  
 "M53-B", "M53-C" and "M53-D"  
 "D53-B", "D53-C", and "D53-D"  
 9/86 (VS) thru Current



002392A  
 WIRING DIAGRAM FOR MODELS  
 "N53-A", "N53-B" and "N53-C"  
 "E53-A", "E53-B", and "E53-C"  
 9/81 (VM) thru Current

REPLACEMENT PARTS LIST FOR MODELS "M53" and "D53".

See back page for illustration.

MODELS:				M53-A	M53-B	M53-C	M53-D		D53-A	D53-B	D53-C	D53-D
REF NO.	DESCRIPTION	QTY	NOTES	9/81 VM thru 8/86 US	9/86 VS thru 8/87 UT	9/87 VT thru 6/92	7/92 thru Current		9/81 VM thru 8/86 US	9/86 VS thru 8/87 UT	9/87 VT thru 6/92	7/92 thru Current
1	• Gasket, Case/Cover	1		034046	034046	034046	034046		034046	034046	034046	034046
2	• Clamp, Strain Relief-Red	1		004200	004200	004200	004200		004200	004200	004200	004200
3	• Seal, Cord-Asm "60"	1		002326	004322	004322	004322		002326	004322	004322	004322
4	Cord Term & Seal	1	1, 3, 8	002321	004700	004700	004700		002320	004707	004707	004707
5	Stator - GE	1	2	054040	054040	054040	007951		054050	054050	054050	007952
	Stator - Emerson			002473	002473	002473	007953		005530	005530	005530	007954
6	• Screw, #8-Stator	2		001914	001914	001914	001914		001914	001914	001914	001914
7	Rotor Asm - GE	1	2	054032	054032	054032	054032		054032	054032	054032	054032
	Rotor Asm - Emerson			003735	003735	003735	003735		003735	003735	003735	003735
8	• Seal, Mtr Hsg	1		034007	034007	034007	034007		034007	034007	034007	034007
9	• Washer, Thrust	1		002140	002140	002140	002140		002140	002140	002140	002140
10	• Oil, Dielectric-(15.5 Oz Can)	1		002588	002588	002588	002588		002588	002588	002588	002588
11	Housing, Pump-Mach	1		057018	057018	057018	057018		057018	057018	057018	057018
12	• Seal Asm, Shaft-Blister Pak	1		267027	267027	267027	267027		267027	267027	267027	267027
13	Impeller-Plas 53	1		003644	003644	003644	003644		003644	003644	003644	003644
14	Base Asm	1		002690	002690	002690	002690		002690	002690	002690	002690
15	Plate, Strainer-Plastic	1		001082	001082	NA	NA		001082	001082	NA	NA
16	Case Handle & Arm Asm	1	3, 6	054092	004703	004703	004703		054093	004703	004703	004703
17	• Plug, Test-White	2		034090	034090	034090	034090		034090	034090	034090	034090
18	• Arm & Seal Asm	1	3	054080	004704	004704	004704		054080	004704	004704	004704
19	Case & Switch	1	3, 6, 7	054051	004702	004702	004702		054053	004702	004702	004702
20	Guard	1	3	034016	004617	004617	004617		034016	004617	004617	004617
21	• Seal, Thru Wall Term	2		003402	003402	003402	003402		003402	003402	003402	003402
22	Housing, Mtr-& Term Asm	1		003177	004712	004712	004712		003177	004712	004712	004712
23	Float-Polypropylene	1		034019	034019	034019	034019		034019	034019	034019	034019
24	Rod Asm, Fit	1		054062	054062	054062	054062		054062	054062	054062	054062
25	Guide Asm, Flt Rod	1		034086	034086	034086	034086		034086	034086	034086	034086
26	Switch Asm	1	3	034061	004705	004705	004705		034061	004705	004705	004705
¶	Wire Asm / Flag-Pin	1		002231	NA	NA	NA		002231	NA	NA	NA
27	• Screw, #10-24 X.75	16		001885	001885	001885	001885		001885	001885	001885	001885
28	• Screw, #6-32x.438	2		001877	004644	004644	004644		001877	004644	004644	004644
29	• Screw, #6-32x.25	1		001877	001877	001877	001877		001877	001877	001877	001877
30	• Sem, 10-12x.5	3		003229	003229	NA	NA		003229	003229	NA	NA
¶	Rebuild Kit	1		003181	004706	004706	004706		003181	004706	004706	004706

• Items included in Rebuild Kit.

¶ Not Shown in Illustration.

§ Not sold separately.

DATE CODE OF MANUFACTURE FROM 12/70 to 12/88			
1st LETTER MONTH		2nd LETTER YEAR	
M -- JAN.	T -- JULY	A -- 1971	G -- 1977
N -- FEB.	U -- AUG.	B -- 1972	H -- 1978
O -- MARCH	V -- SEPT.	C -- 1973	I -- 1979
P -- APRIL	W -- OCT.	D -- 1974	J -- 1980
R -- MAY	X -- NOV.	E -- 1975	M -- 1981
S -- JUNE	Y -- DEC.	F -- 1976	N -- 1982
			O -- 1983
			P -- 1984
			R -- 1985
			S -- 1986
			T -- 1987
			U -- 1988

NOTE: Four digit (MMYY) date of mfg. used after June, 1988.  
IE: MMYY = 0192 = Jan. 1992

NOTES:

- 1) Strain Relief (Item 2) can be purchased separately, but is included with Cord, Terminal & Seal Assembly (Item 4) and with Seal, Cord Assembly (Item 3).
- 2) Specify GE or Emerson Motor. GE motor can be identified by white valox insulation on stator. Emerson can be identified by green epoxy insulation on stator.
- 3) To insure proper replacement, customer must identify if switch is a General Electric switch.
- 4) See FM0160 Parts Price Sheet for listing of parts prices.
- 5) "NA" indicates, not applicable.
- 6) If an "X" follows Model No., or Date Mfg. on brass ID tag, consult factory for ordering any parts.
- 7) For pumps with date code prior to 9/86 the replacement case and switch will have a new style switch.
- 8) See chart for special length cord replacement.

Special Length Cords		
Length	M53-B thru D	D53-B thru D
15' cord	005566	004940
20' cord	014530	Consult factory
25' cord	004991	Consult factory
35' cord	Consult factory	Consult factory
50' cord	005556	Consult factory

# REPLACEMENT PARTS LIST FOR MODELS "N53" and "E53".

See back page for illustration.

MODELS:				N53	N53-A	N53-B	N53-C		E53	E53-A	E53-B	E53-C
REF NO.	DESCRIPTION	QTY	NOTES	9/81 VM thru 8/86 US	9/86 VS thru 8/87 UT	9/87 VT thru 6/92	7/92 thru Current		9/81 VM thru 8/86 US	9/86 VS thru 8/87 UT	9/87 VT thru 6/92	7/92 thru Current
1	• Gasket,Case/Cover	1		034046	034046	034046	034046		034046	034046	034046	034046
2	• Clamp,Strain Relief-Red	1	1	004200	004200	004200	004200		004200	004200	004200	004200
3	• Seal,Cord-Asm "60"	1	1, 3	002326	004322	004322	004322		002326	004322	004322	004322
4	Cord Term & Seal	1	1, 7	002319	004708	004708	004708		002318	004709	004709	004709
5	Stator - GE	1	2	054040	054040	054040	007951		054050	054050	054050	007952
	Stator - Emerson	1	2	002473	002473	002473	007953		005530	005530	005530	007954
6	• Screw, #8	2		001914	001914	001914	001914		001914	001914	001914	001914
7	Rotor Asm - GE	1	2	054032	054032	054032	054032		054032	054032	054032	054032
	Rotor Asm - Emerson	1	2	003735	003735	003735	003735		003735	003735	003735	003735
8	• Seal,Mtr Hsg	1		034007	034007	034007	034007		034007	034007	034007	034007
9	• Washer, Thrust	1		002140	002140	002140	002140		002140	002140	002140	002140
10	• Oil,Dielectric-(15.5 Oz Can)	1		002588	002588	002588	002588		002588	002588	002588	002588
11	Housing, Pump-Mach	1		057018	057018	057018	057018		057018	057018	057018	057018
12	• Seal Asm, Shaft-Blister Pak	1		267027	267027	267027	267027		267027	267027	267027	267027
13	Impeller - Plastic	1		003644	003644	003644	003644		003644	003644	003644	003644
14	Base Asm	1		002690	002690	002690	002690		002690	002690	002690	002690
15	Plate, Strainer-Plastic	1		001082	001082	NA	NA		001082	001082	NA	NA
16	Cover & Handle	1		034067	034067	034067	034067		034097	034097	034097	034097
17	• Plug, Test-White	2		034090	034090	034090	034090		034090	034090	034090	034090
18	• Seal, Thru Wall Term	2		003402	003402	003402	003402		003402	003402	003402	003402
19	Housing, Mtr-& Term Asm	1		003177	004712	004712	004712		003177	004712	004712	004712
20	• Screw, #10-24 X.75	16		001885	001885	001885	001885		001885	001885	001885	001885
21	• Sem, 10-12x.5	3		003229	003229	NA	NA		003229	003229	NA	NA
22	• Screw, #6-32x.25	1		001877	001877	001877	001877		001877	001877	001877	001877
▣	Rebuild Kit	1		003181	004706	004706	004706		003181	004706	004706	004706

• Items included in Rebuild Kit.

▣ Not Shown in Illustration.

§ Not sold separately.

Special Length Cords		
Length	N53-A thru C	E53-A thru C
20' cord	011693	Consult factory
25' cord	013046	Consult factory
35' cord	019471	Consult factory
50' cord	N/A	Consult factory

### NOTES:

- 1) Strain Relief (Item 2) can be purchased separately, but is included with Cord, Terminal & Seal Assembly (Item 4) and with Seal, Cord Assembly (Item 3).
- 2) Specify GE or Emerson Motor. GE motor can be identified by white valox insulation on stator. Emerson can be identified by green epoxy insulation on stator.
- 3) When ordering these parts, customer must identify if switch is a General Electric switch.
- 4) See FM0160 Parts Price Sheet for listing of parts prices.
- 5) "NA" indicates, not applicable.
- 6) If an "X" follows Model No., or Date Mfg. on brass ID tag, consult factory for ordering any parts.
- 7) See chart for special length cord replacement.



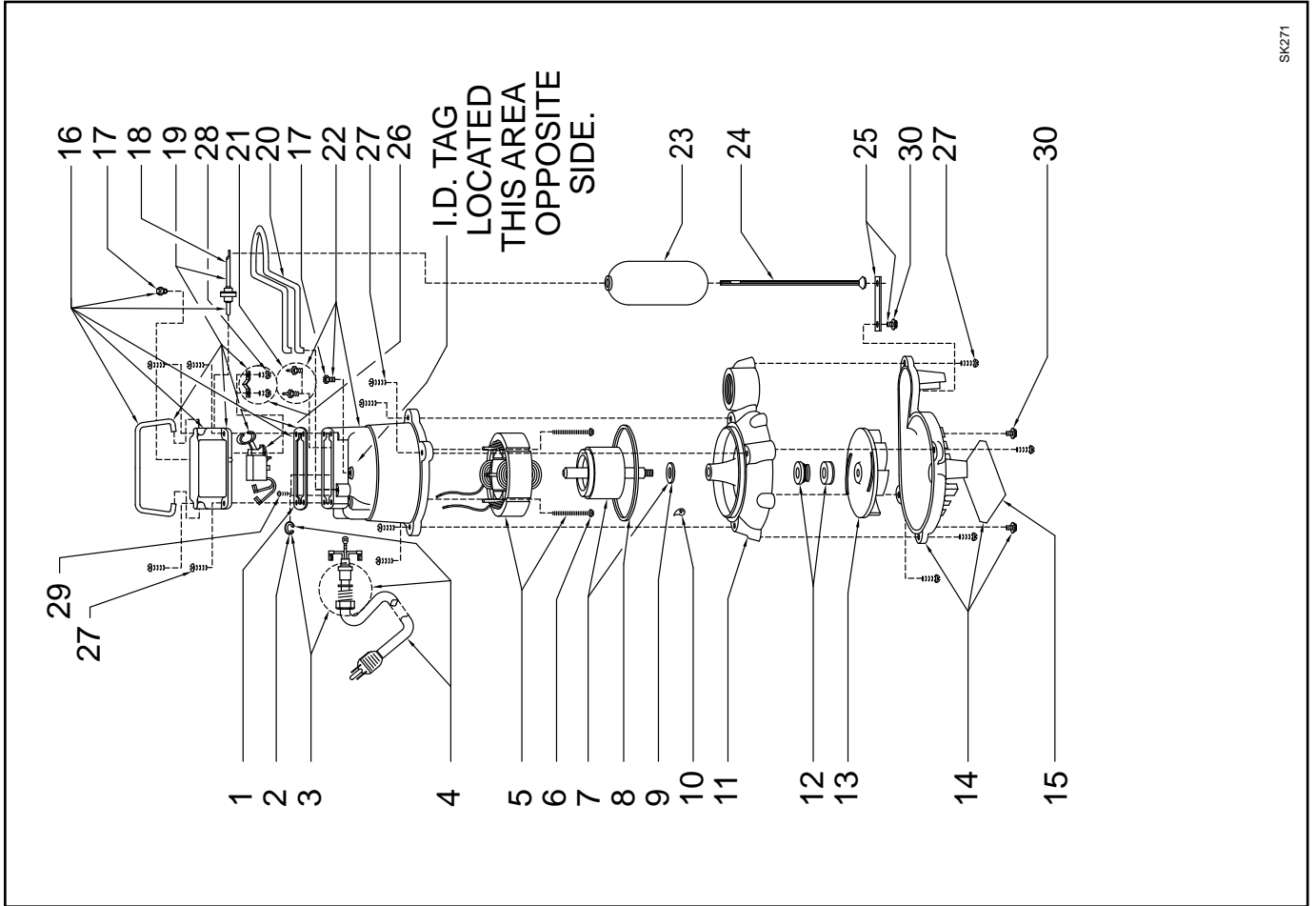
**PUMP COMPANY**

MAIL TO: P.O. BOX 16347 • Louisville, KY 40256-0347  
 SHIP TO: 3649 Cane Run Road • Louisville, KY 40211-1961  
 (502) 778-2731 • 1 (800) 928-PUMP • FAX (502) 774-3624

**Your Peace of Mind is Our Top Priority™**

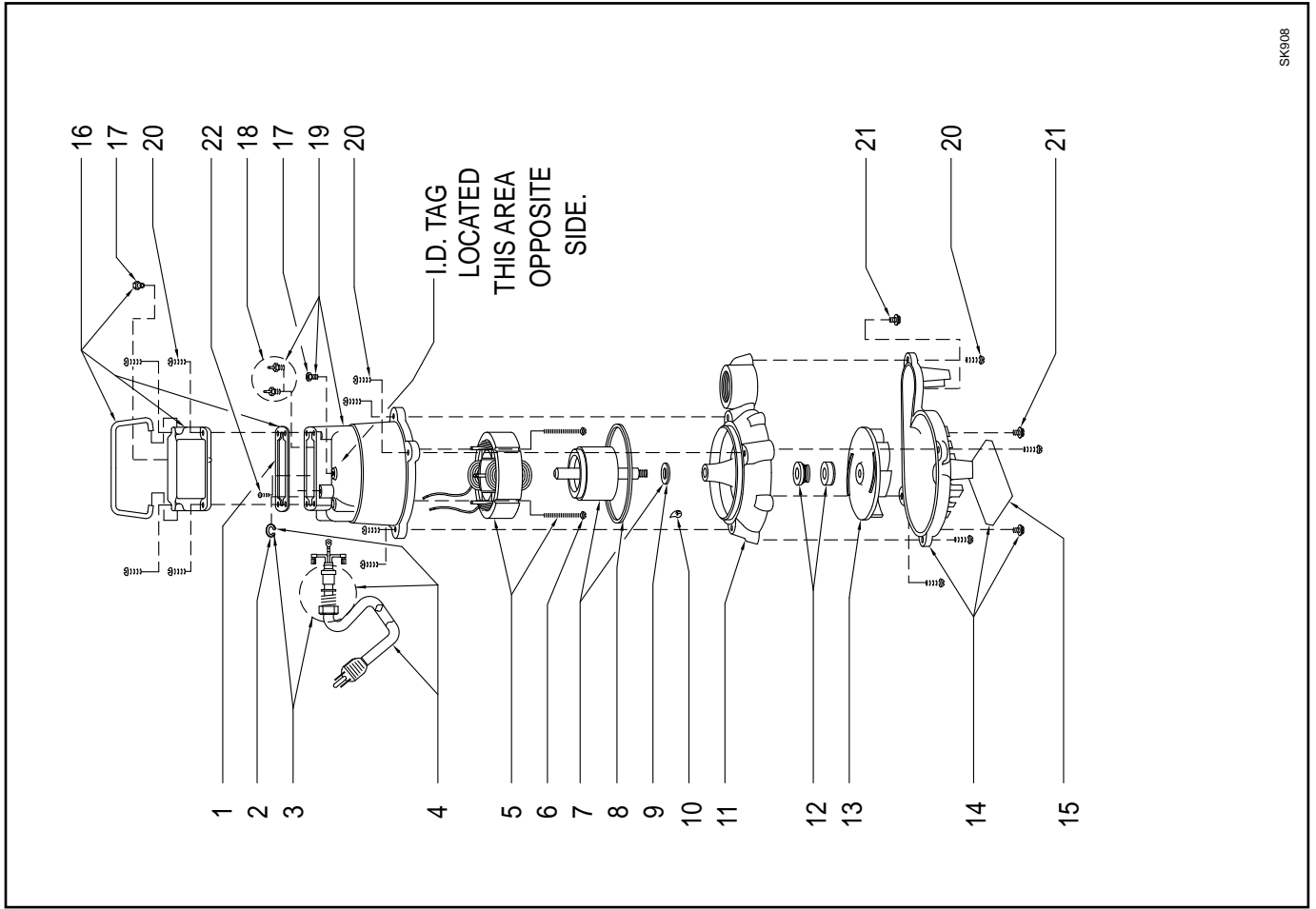
visit our web site:  
[www.zoeller.com](http://www.zoeller.com)

REPLACEMENT PARTS ILLUSTRATION FOR MODELS "M53" AND "D53"



SK271

REPLACEMENT PARTS ILLUSTRATION FOR MODELS "N53" AND "E53"



SK908