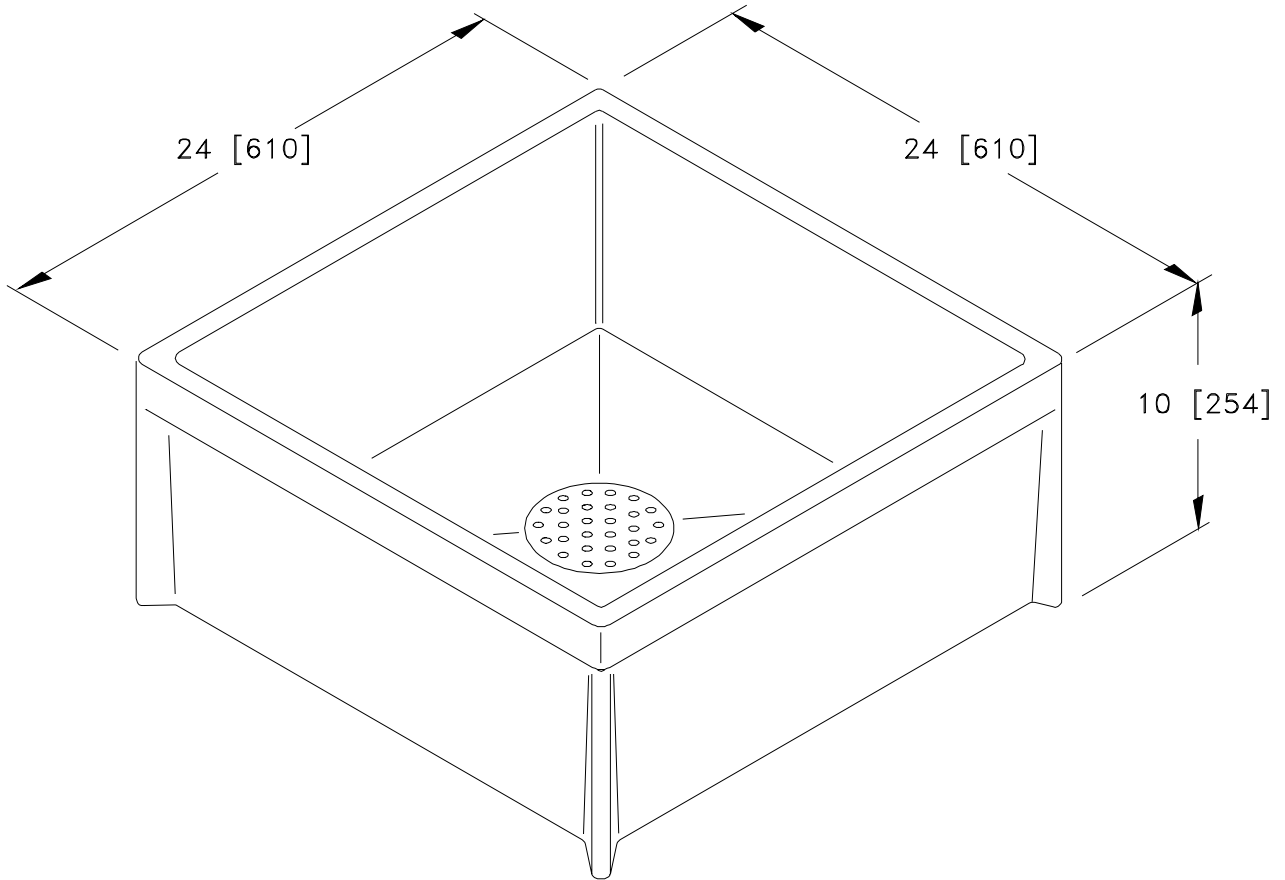


Dimensional Data (inches and [ mm ]) are Subject to Manufacturing Tolerances and Change Without Notice



Product	Mop Basin Size	Approx. Wt. Lbs. [kg]
— Z1996-24	24 x 24 x 10 [610 x 610 x 254]	50 [23]

**Z1996-24 Mop Service Basin 24 x 24 x 10 [610 x 610 x 254]**  
Molded high density composite basin, PVC drain body, stainless steel dome strainer/lint basket, and 3 [76] gasketed outlet connection.  
Certifications: Meets ANSI Z124.6, CSA listed, and IAPMO listed under file # 3561.

**OPTIONS** (Check/specify appropriate options)

**SUFFIXES**

- \_\_\_\_\_ -BS Stainless Steel Bumper Guard
- \_\_\_\_\_ -BV Vinyl Bumper Guard
- \_\_\_\_\_ -HH Hose and Hose Bracket
- \_\_\_\_\_ -MH Mop Hanger
- \_\_\_\_\_ -NHG PVC Drain Gasket for No-Hub Pipe
- \_\_\_\_\_ -PRP Pipe Reducer for PVC Drain
- \_\_\_\_\_ -PRS Pipe Reducer for Stainless Steel Drain
- \_\_\_\_\_ -SD 3 [76] Stainless Steel Drain
- \_\_\_\_\_ -SDL Stainless Steel Drain with Locking Nut
- \_\_\_\_\_ -SF Service Faucet
- \_\_\_\_\_ -WG Wall Guard #20 Gage Type 304 Stainless Steel (2 Panels-Indicate Size)

