



AQUA-PANEL SHOWER UNIT

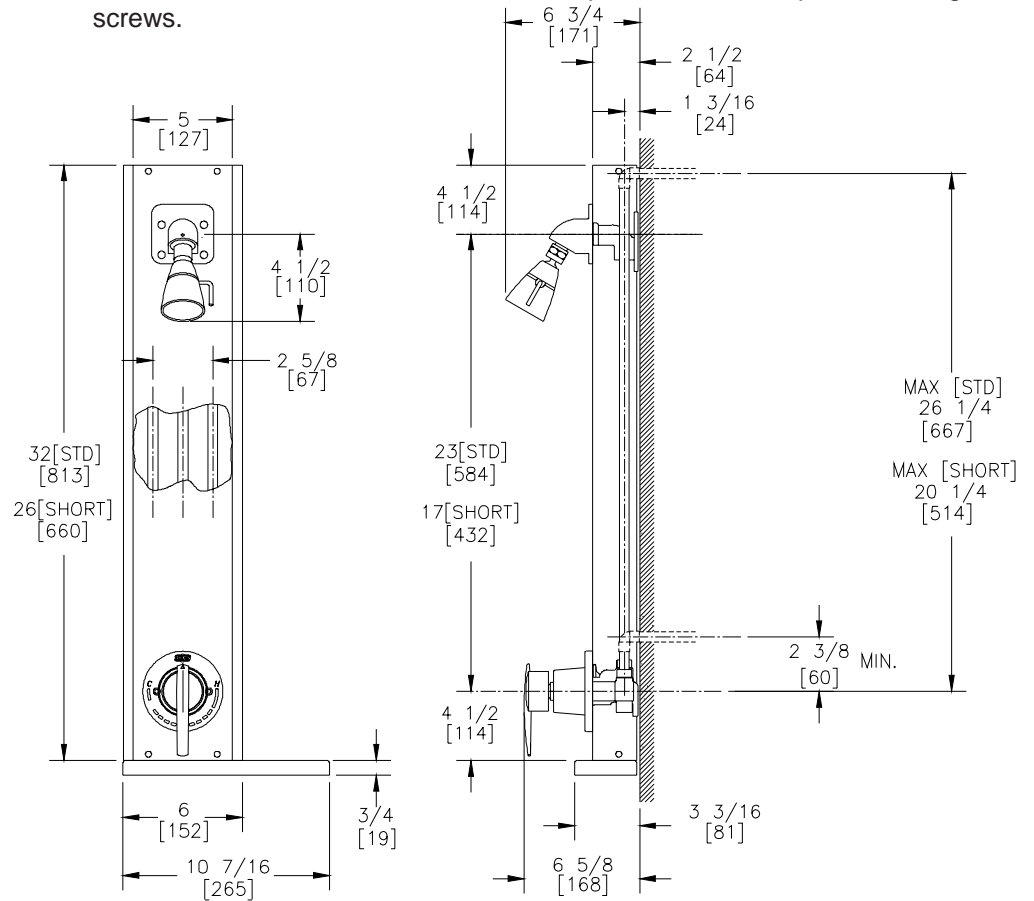
Z7500

TAG _____



ENGINEERING SPECIFICATIONS: ZURN Z7500

Prefabricated stainless steel shower unit, consisting of the TEMP-GARD pressure balancing shower valve with single bronze stem, stainless steel balancing piston & bottom access integral service stops. Standard with 1/2" copper tubing assembly enclosed by 18 gage stainless steel #4 brushed finish shroud, chrome plated brass shower head with flow control on institutional bracket, metal stem handle, side mount soap dish & all vandal proof securing screws.



Note: All dimensions are for reference only. Do not use for pre-plumbing

OPTIONS (Check/specify appropriate options)

STANDARDS

Suffix	Description
___ -i2	Fixed Spray Institutional Shower Head (Other Institutional Shower Heads Available)
___ -LS	Less Soap Dish
___ -SL	Short Length Shroud 26" (660mm)
___ -TC	Matching Shroud Extension to Cover Thru Ceiling Piping (Specify extension height)
___ -TH	Matching Shroud Cover For Concealed Horizontal Piping (Application drawings available for custom installations)
___ -14	14 Gage Stainless Steel Shroud
___ -16	16 Gage Stainless Steel Shroud

Tested to meet the following standards for valves and plumbing fittings:
Shower heads meet ANSI A112.18.1
Meets or Exceeds ANSI A117.1M standard for physically handicapped



ZURN INDUSTRIES, INC. ♦ COMMERCIAL BRASS OPERATION ♦ 2640 SOUTH WORK STREET ♦ FALCONER NY 14733

Phone: 1-716-665-1132 ♦ Fax: 1-716-665-1135 ♦ World Wide Web: www.zurn.com

In Canada: ZURN INDUSTRIES LIMITED ♦ 3544 Nashua Drive ♦ Mississauga, Ontario L4V1L2 ♦ Phone: 905/405-8272 Fax: 905/405-1292

Rev. A Date: 3/12/04

C.N. No. 100258

Dwg. No. 66252

Product No. Z7500