



# LABORATORY-GAS VALVE

## Z8002A

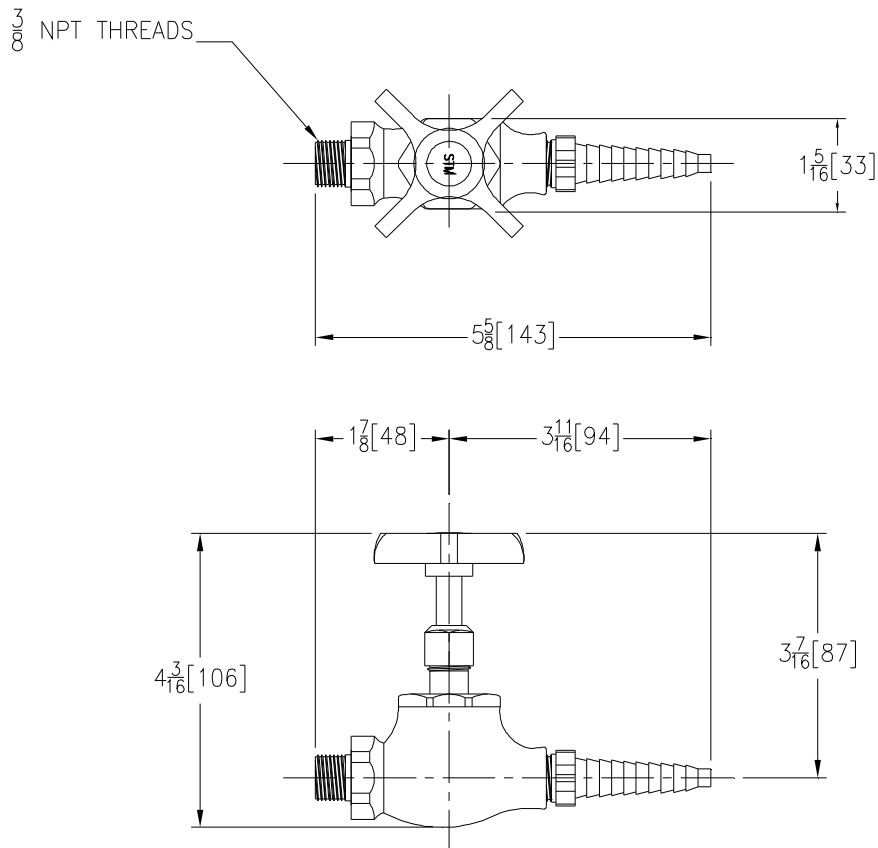
TAG \_\_\_\_\_



### Engineering Specifications: Zurn AquaSpec® Z8002A

An all gas high pressure (up to 125 PSI) 3/8" NPT male inlet needle point valve with a cross handle and a 3/8" IPS male removable serrated nozzle outlet. Specify air, gas, vacuum or steam for appropriate index. (see option section below) Specify when precise control under high pressure is necessary or when rare and exotic gases will be used.

\*Oxygen service must be special ordered



Note: All dimensions are for reference only. Do not use for pre-plumbing.

### OPTIONAL ACCESSORIES

| Suffix    | Description     |
|-----------|-----------------|
| ___-AIR   | Air Index       |
| ___-BH    | Bakelite Handle |
| ___-GAS   | Gas Index       |
| ___-STEAM | Steam Index     |
| ___-VAC   | Vacuum Index    |

ZURN INDUSTRIES, INC. ♦ COMMERCIAL BRASS OPERATION ♦ 2640 SOUTH WORK STREET ♦ FALCONER NY 14733

Phone: 1-716-665-1132 ♦ Fax: 1-716-665-1135 ♦ World Wide Web: [www.zurn.com](http://www.zurn.com)

In Canada: ZURN INDUSTRIES LIMITED ♦ 3544 Nashua Drive ♦ Mississauga, Ontario L4V1L2 ♦ Phone: 905/405-8272 Fax: 905/405-1292