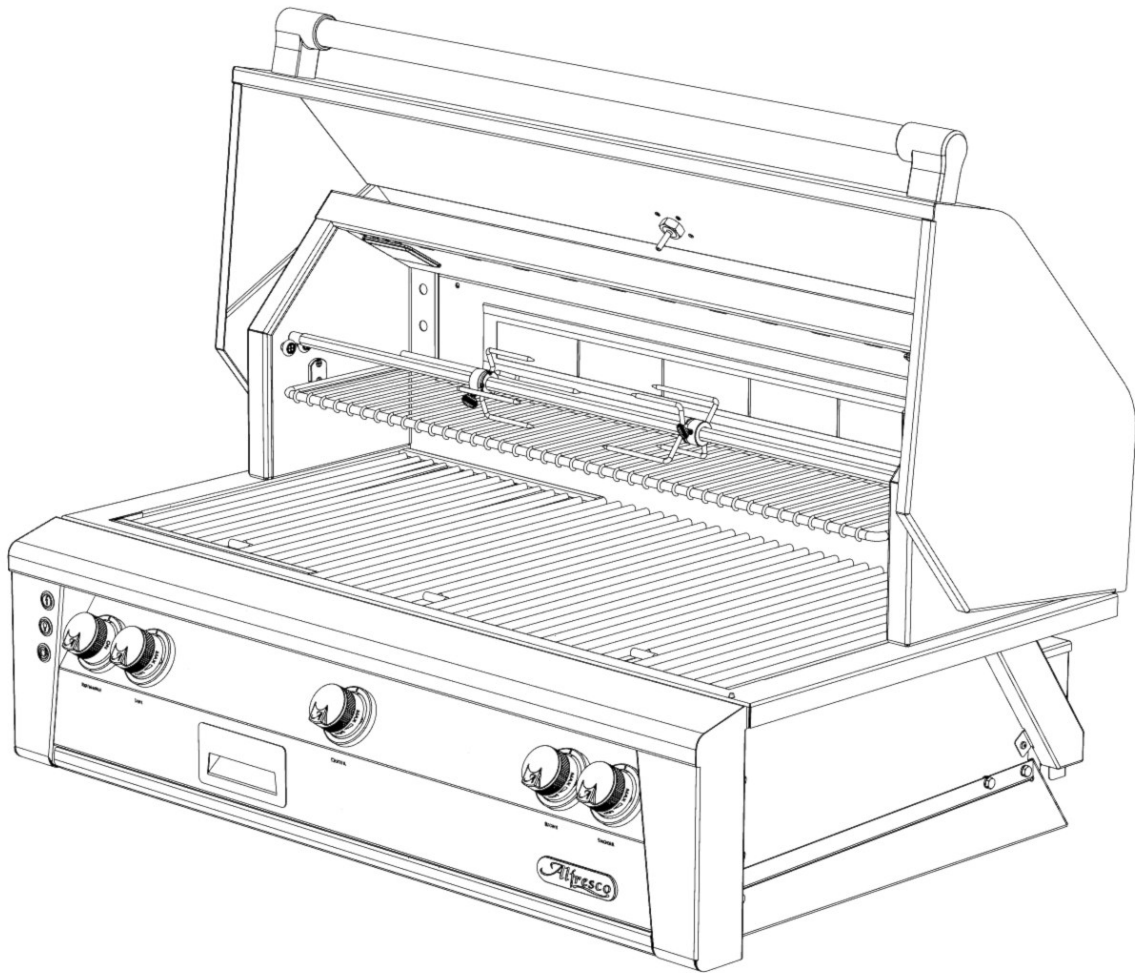
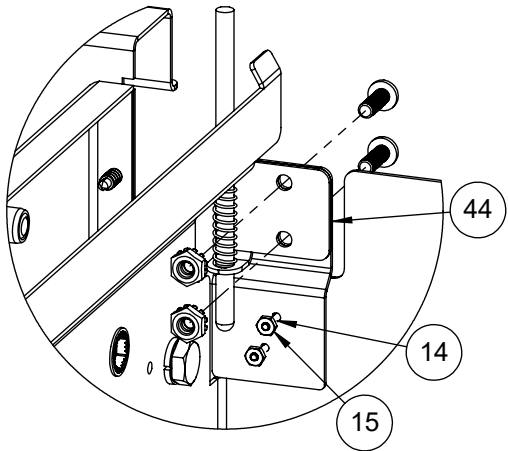


Alfresco™

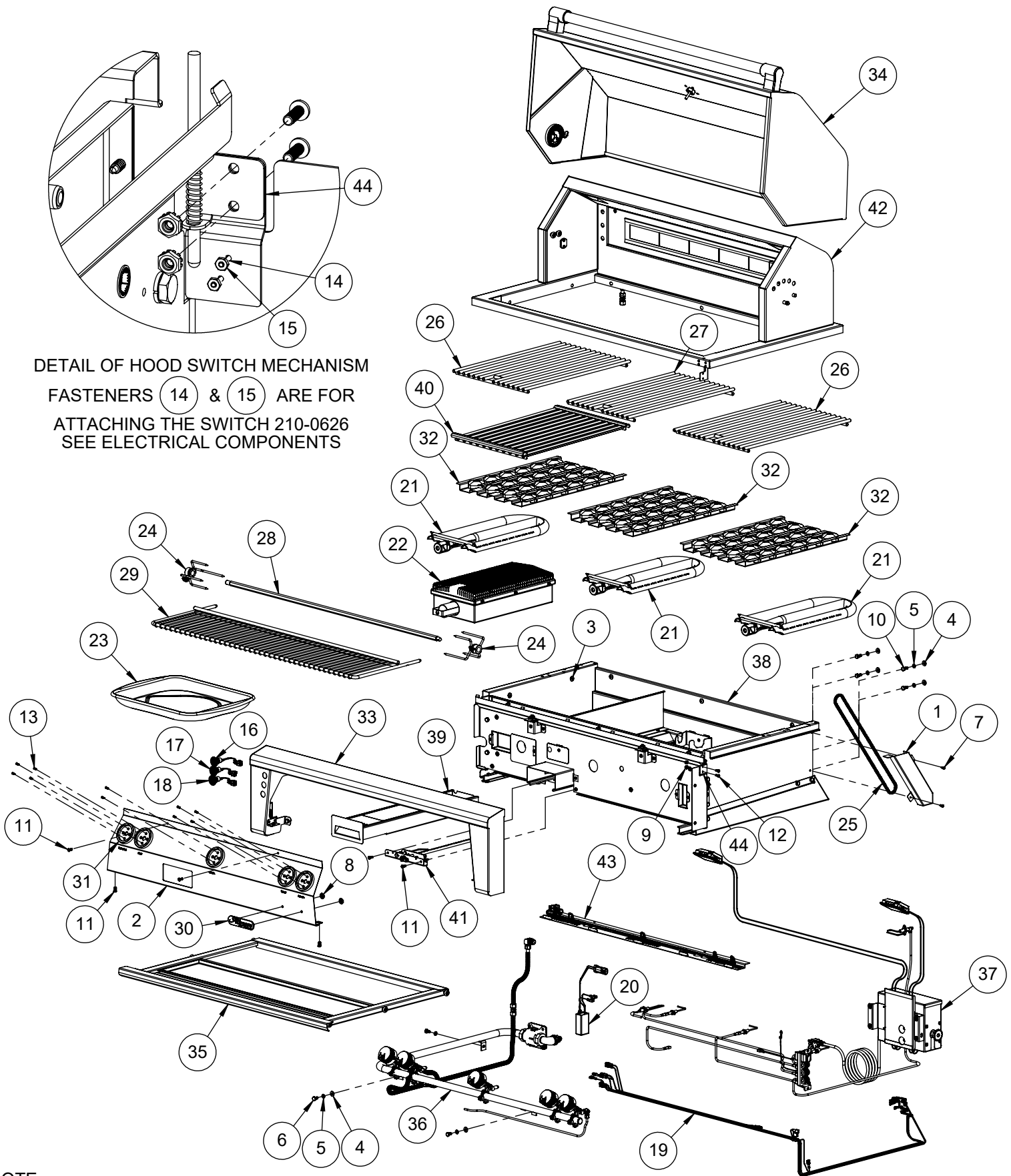
Open Air Culinary Systems



ALXE-42 & 42SZ Parts Manual



DETAIL OF HOOD SWITCH MECHANISM
 FASTENERS 14 & 15 ARE FOR
 ATTACHING THE SWITCH 210-0626
 SEE ELECTRICAL COMPONENTS



NOTE:

SEARZONE™ BURNER 22 AND GRILL 40 USED ON ALXE-42SZ

OTHERWISE, ONLY BURNER 21, GRILL 26 AND BRIQUETTE 32 USED ON ALXE-42

ITEM	PART NUMBER	DESCRIPTION	QTY
1	100-1877	ALX2 - ROTISSERIE CHAIN COVER	1
2	130-2989	FRONT PANEL	1
3	200-0057	SCREW 1/4-20 X 1/2 - TRUSS HEAD - PHILLIPS	10
4	200-0074	FLAT WASHER 1/4 TYPE A NARROW	6
5	200-0087	WASHER - 1/4" SPRING LOCK- REGULAR - SS	9
6	200-0089	BOLT - HEX HEAD 1/4-20 x 1/2" L	4
7	200-0111	SCREW 8-18 X 1/2 - SELF TAP - 410 SS	11
8	200-0125	NUT THREAD CUTTER FOR 1/4" Ø STUD -SPEED NUT	2
9	200-0206	8-32 KEP NUT 18-8 STAINLESS	4
10	200-0219	HEX HD MACHINE SCREW 1/4-20 UNC X 5/8 LONG SS	4
11	200-0267	10-32 X 1/2 - PAN HEAD - PHILLIPS SCREW	6
12	200-0270	SCREW 8-32 X 1/2 - PAN HEAD PHILIPS - 304 SS	4
13	200-0348	Screw 6-32 x 3/8 Flat Head (82°) phillips - Thread Cutter - #2 Drive - SS 410	10
14	200-0362	18-8 SS PAN HEAD SCREW 2-56 X 3/8	2
15	200-0363	18-8 SS HEX NUT 2-56	2
16	210-0583	SWITCH - IGNITION - MOMENTARY [ON]/OFF	1
17	210-0584	SWITCH - LIGHT - LATCHING [ON/OFF]	1
18	210-0585	SWITCH - ROTISSERIE - LATCHING [ON/OFF]	1
19	210-0614	ALXE-42 WIRING HARNESS	1
20	210-0623	TRANSFORMER ASSY FOR ALXE	1
21	290-0038	BURNER - GRILL - "U" SHAPE	3
22	290-0052	ALFRESCO SEAR ZONE™ BURNER ASSEMBLY	1
23	290-0059	ROTISSERIE DRIP PAN	1
24	290-0096	FORK ASSEMBLY	2
25	290-0116	CHAIN - ANSI # 25 - 1/4" PITCH - .13" Ø X 1/8" ROLLER	1
26	290-0124	GRILL 30" BBQ - 12 3/4" WIDE - SS	2
27	290-0157	GRILL 30" BBQ - 11 3/4" WIDE - SS	1
28	290-0158	SPEAR - ROTISSERIE - 42" - 2006 BBQ	1
29	290-0304	ALX2-42 WARMING RACK - SS	1
30	290-0377	ALFRESCO RANGE LOGO	1
31	290-0388	ALFRESCO RANGE KNOB - BEZEL RING	5
32	510-0522	ALX2 - BRIQUETTE TRAY ASSEMBLY	3
33	510-0892	FRONT PANEL PERIMETER	1
34	510-0895	FRONT HOOD ALXE-42	1
35	510-0899	42" DRIP TRAY ASSEMBLY	1
36	510-0900	ALXE-42 / 42SZ - GAS MANIFOLD ASSEMBLY	1
37	510-0901	ALXE-42 / 42SZ - ELECTRICAL COMPONENTS	1
38	510-0903	ALXE-42 FIREBOX MAIN ASSEMBLY	1
39	510-0912	ALXE SMOKER BOX	1
40	510-0913	SEARZONE™ GRILL ASSEMBLY	1
41	510-0918	ALXE SMOKER BURNER ASSEMBLY	1
42	510-0931	ALXE-42 REAR HOOD & RIM	1
43	510-1000	ALXE-42 LED LIGHT FIXTURE	1
44	510-1026	ALXE HOOD SWITCH MECHANISM	1

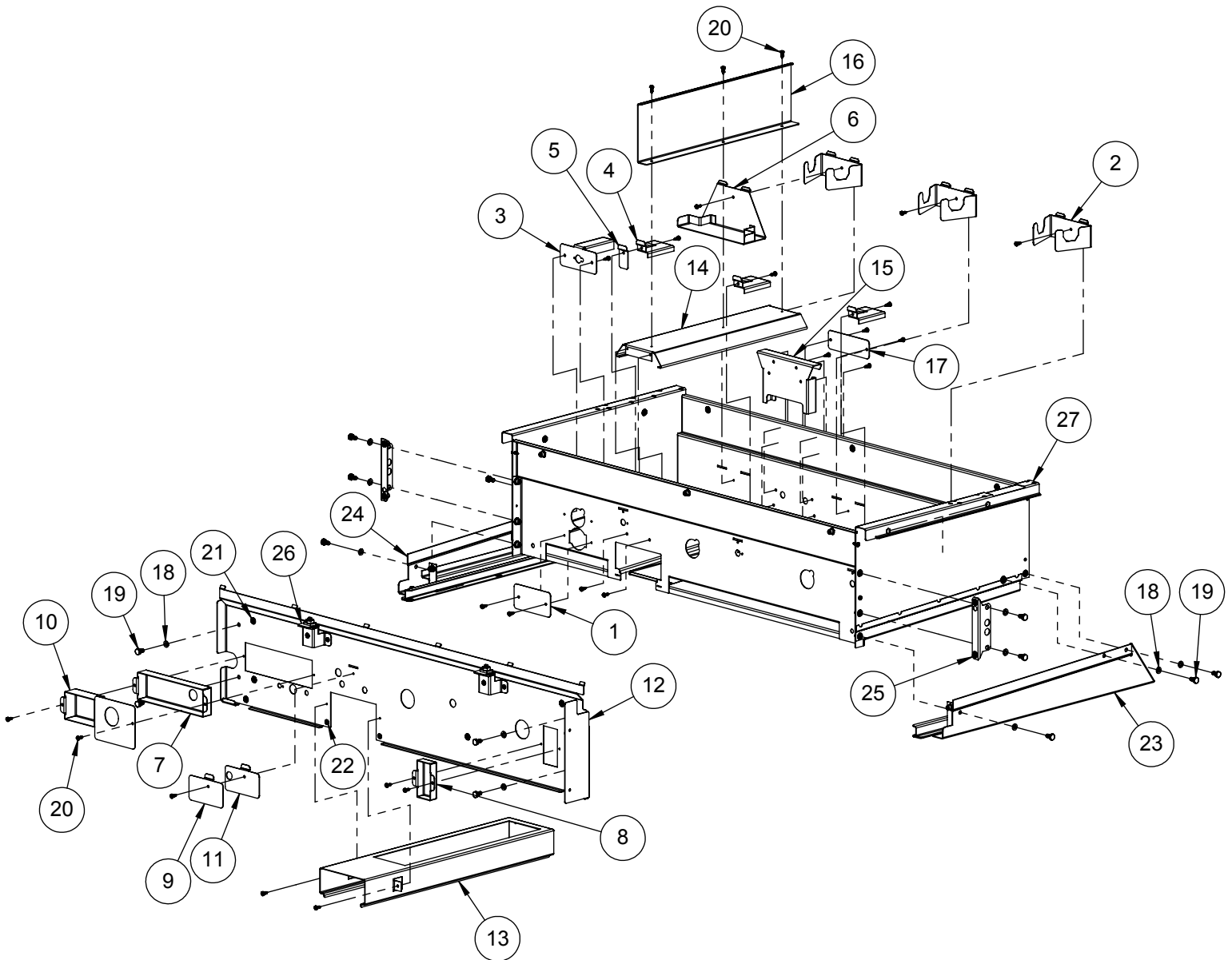
NOTE:
UNIQUE PARTS USED ON ALXE-42 MODEL

- (1) (4) (10) (11)

UNIQUE PARTS USED ON ALXE-42SZ MODEL

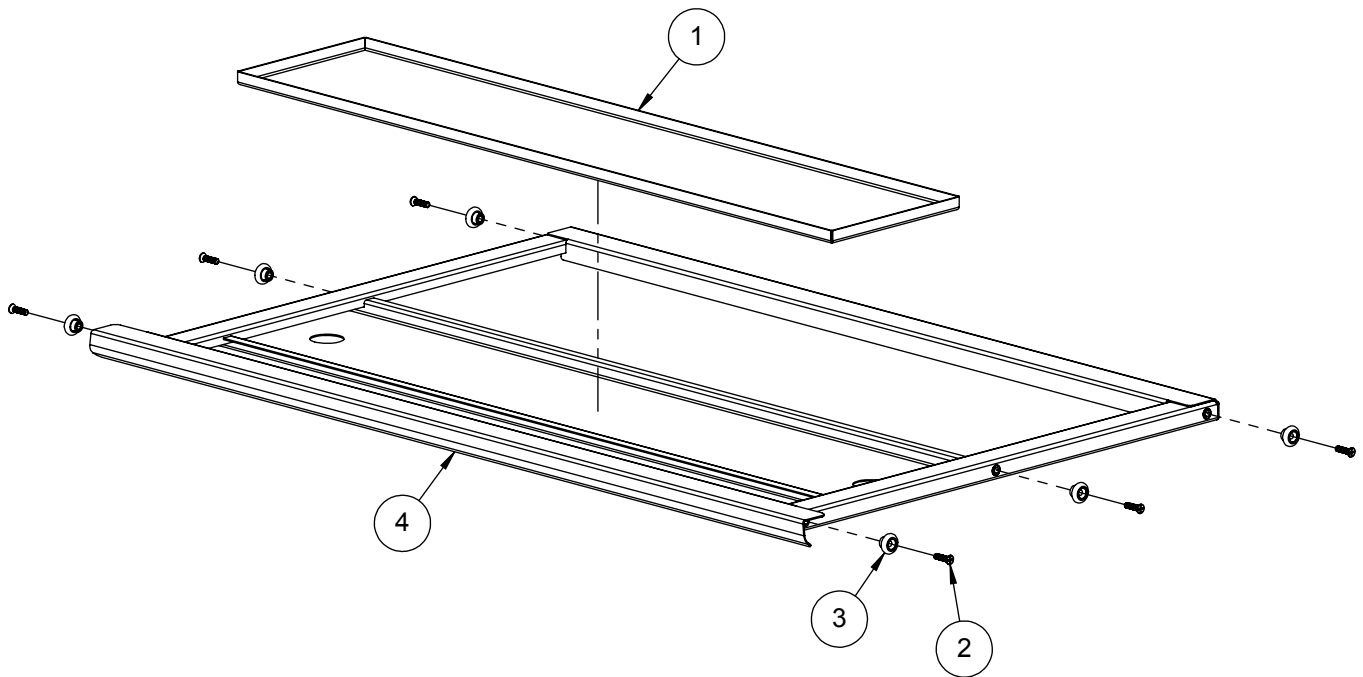
- (3) (5) (6) (7) (9) (16)

ITEM (2) IS USED FOR "U" BURNERS ONLY
THEREFORE, ALXE-42SZ ONLY HAS TWO.

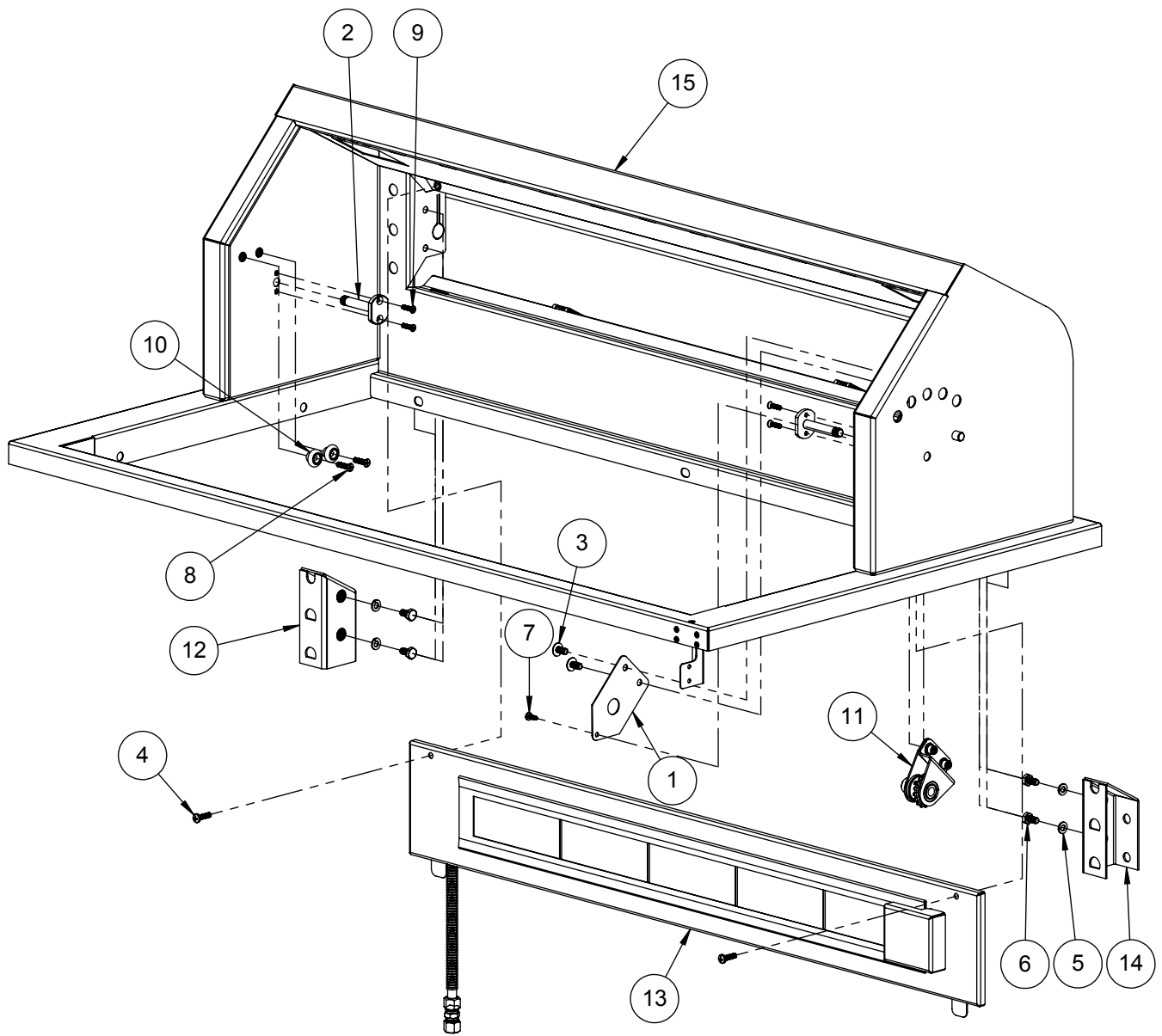


ITEM	PART NO.	DESCRIPTION	QTY
1	100-1065	SEARZONE™ OPENING FIREBOX COVER	1
2	100-1846	ALX2 - U-BURNER BRACKET	3
3	100-1847	ALX2 - SEAR-ZONE IGNITER BRACKET / SHIELD	1
4	100-1848	ALX2 - IGNITER SHIELD	3
5	100-1849	ALX2 - IGNITER HOLE COVER	1
6	100-1884	ALX2 - SEAR-ZONE™ BURNER BRACKET	1
7	100-1887	ALX2 - DUAL VALVE FIREWALL COVE	1
8	100-1888	ALX2 - SINGLE VALVE FIREWALL COVE	1
9	100-1890	ALX2 - FIREWALL OPENING COVER FOR SEARZONE™	1
10	100-1945	ALX2 - DUAL VALVE FIREWALL COVER FOR U-BURNER	1
11	100-1946	ALX2 - FIREWALL OPENING COVER FOR U-BURNER	1
12	130-2998	FIREWALL	1
13	130-3039	ALXE SMOKER BOX BODY	1
14	130-3040	ALXE SMOKER BOX TOP DIFFUSER	1
15	130-3041	FLUE	1
16	130-3042	ALX4 SEAR ZONE BURNER SHIELD	1
17	130-3047	REAR COVER PLATE	1
18	200-0087	WASHER - 1/4" SPRING LOCK- REGULAR - SS	15
19	200-0089	BOLT - HEX HEAD 1/4-20 x 1/2" L	15
20	200-0111	SCREW 8-18 X 1/2 - SELF TAP - 410 SS	30
21	200-0303	1/4-20 HEX RIVNUT - OPEN ENDED	6
22	200-0367	RIVNUT, HEX 10-32 THREAD - OPEN END	2
23	510-0502	ALX2 - GREASE TRAY SUPPORT - RIGHT SIDE	1
24	510-0503	ALX2 - GREASE TRAY SUPPORT - LEFT SIDE	1
25	510-0520	ALX2 - FIREWALL SUPPORT BRACKET ASSEMBLY	2
26	510-0904	ALXE FRONT PANEL MNTG BRKT	2
27	510-0926	ALXE-42 FIREBOX WELDED PARTS	1

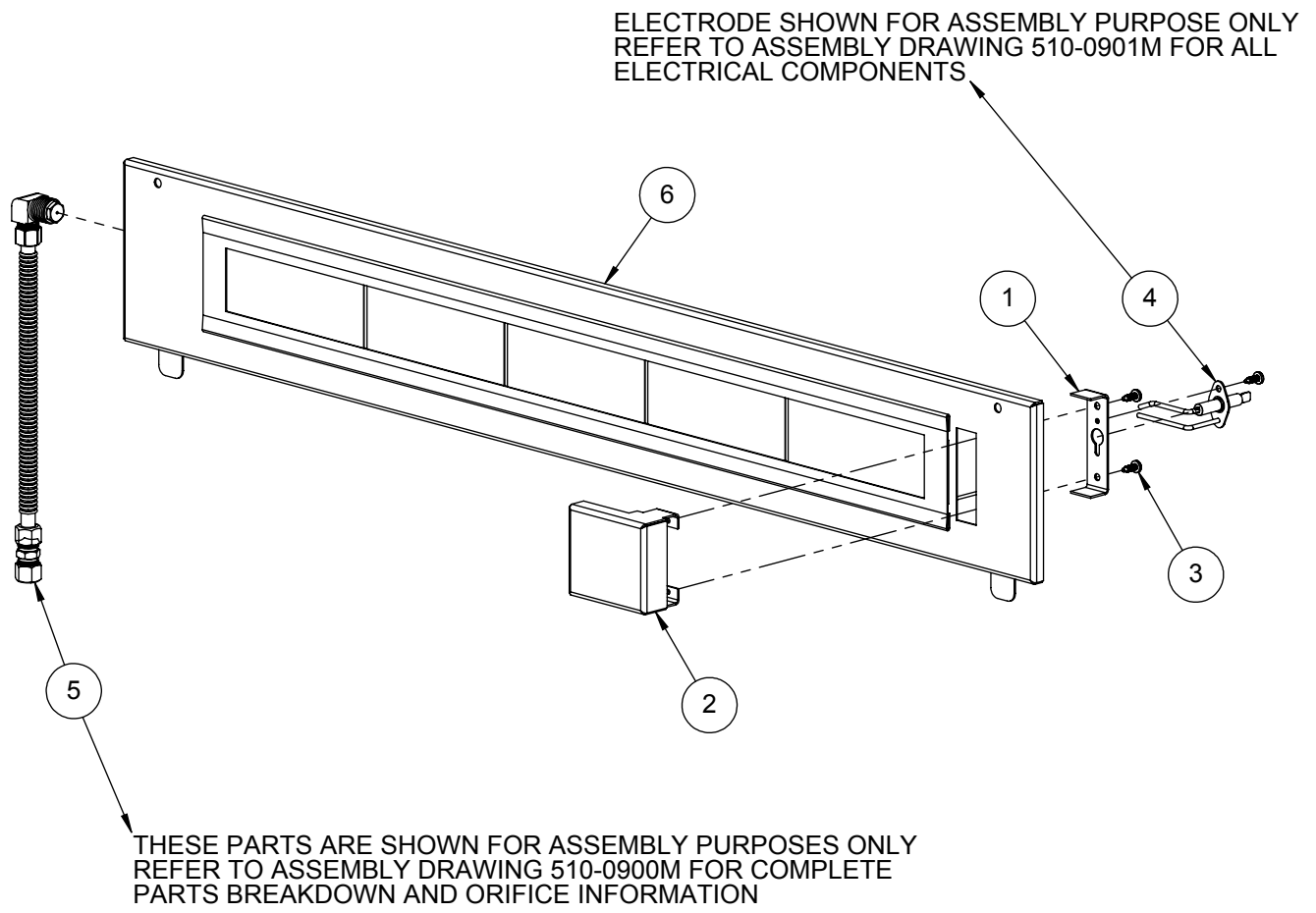
ITEM	PART NO.	DESCRIPTION	QTY
1	130-2992	DRIP TRAY INSERT	1
2	200-0148	SCREW 10-32 X 3/4" - FLAT HEAD - PHILLIPS - 82° - SS	6
3	290-0119	ROLLER WHEEL - STAINLESS STL - 3/4" Ø -	6
4	510-0898	ALXE-42 DRIP TRAY	1



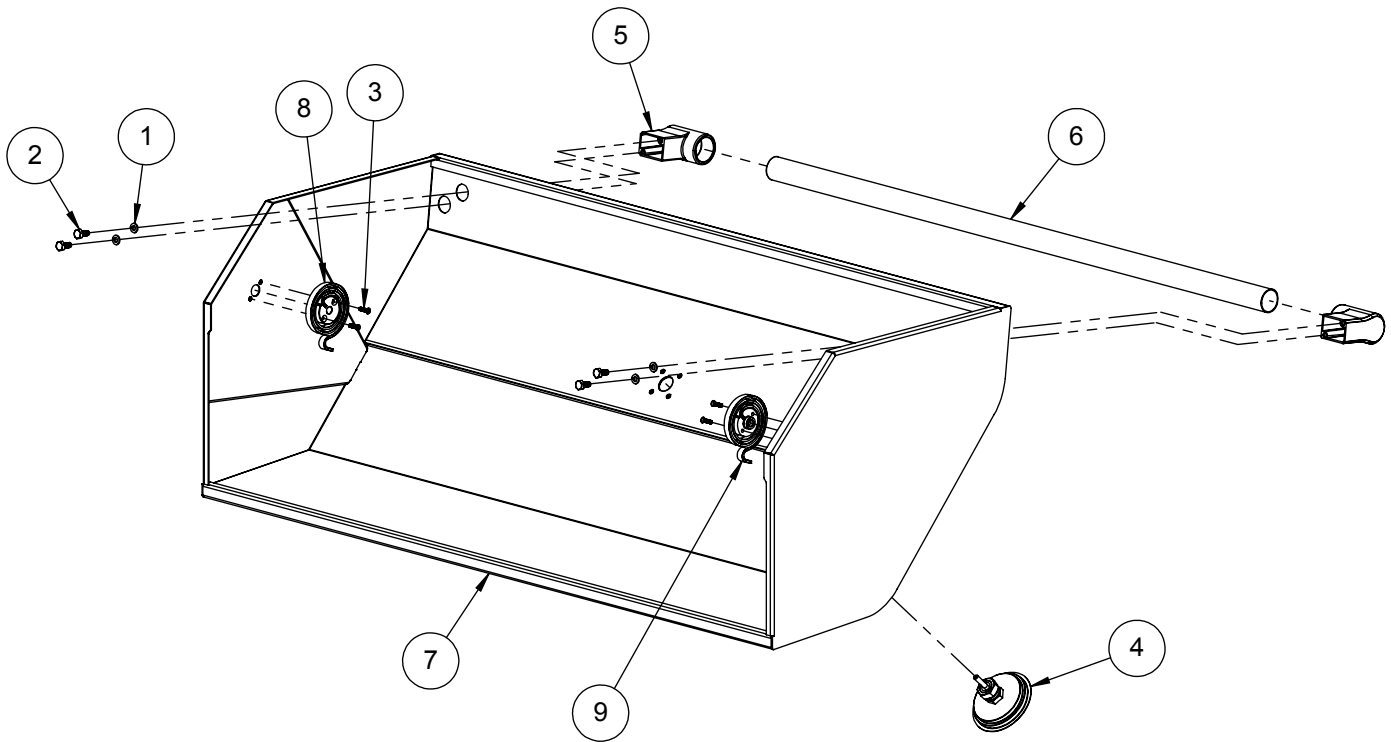
ITEM	PART NO.	DESCRIPTION	QTY
1	100-1092	ALX2 - ROTISSERIE GEAR COVER	1
2	130-2985	PIVOT PIN	2
3	200-0057	SCREW 1/4-20 X 1/2 - TRUSS HEAD - PHILLIPS	2
4	200-0062	10-32 X 3/4 - PAN HEAD - PHILLIPS SCREW	2
5	200-0087	WASHER - 1/4" SPRING LOCK- REGULAR - SS	4
6	200-0089	BOLT - HEX HEAD 1/4-20 x 1/2" L	4
7	200-0111	SCREW 8-18 X 1/2 - SELF TAP - 410 SS	1
8	200-0148	SCREW 10-32 X 3/4" - FLAT HEAD - PHILLIPS - 82° - SS	2
9	200-0361	SCREW 8-32 X 5/8" - FLAT HEAD 82° - PHILLIPS	4
10	290-0119	ROLLER WHEEL - STAINLESS STL - 3/4" Ø -	2
11	510-0139	ALX2 - ROTISSERIE GEAR ASSEMBLY	1
12	510-0511	ALX2 - WARMING RACK BRACKET ASSEMBLY - LEFT SIDE	1
13	510-0513	ALX2-42 / 42SZ - ROTISSERIE PANEL ASSY	1
14	510-0519	ALX2 - WARMING RACK BRACKET ASSEMBLY- RIGHT SIDE	1
15	510-0894	REAR HOOD & RIM WELDED PARTS	1



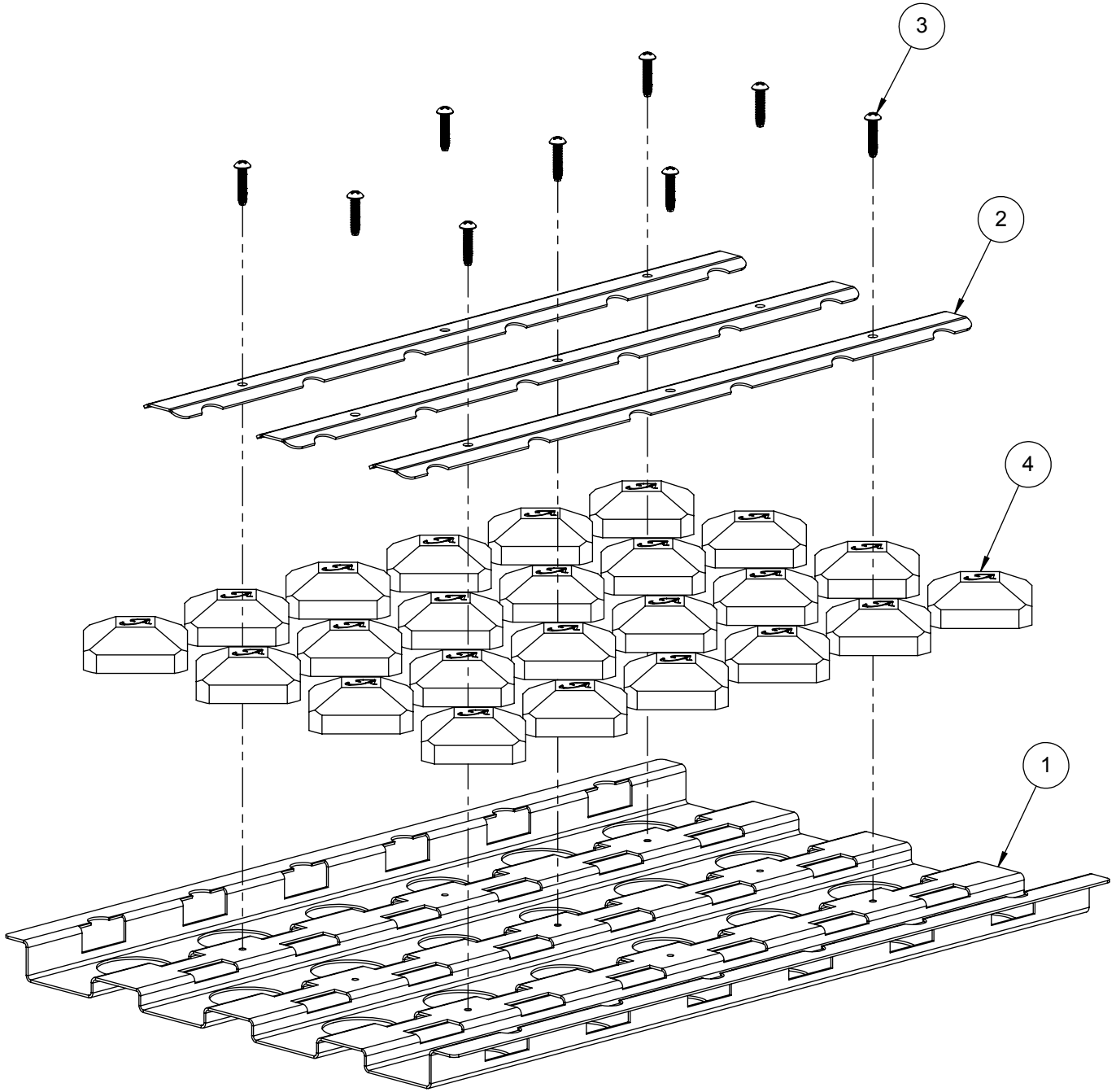
ITEM	PART NO.	DESCRIPTION	QTY
1	100-1226	ROTISSERIE ELECTRODE BRACKET	1
2	130-3059	ALXE - ROTISSERIE ELECTRODE COVER	1
3	200-0111	SCREW 8-18 X 1/2 - SELF TAP - 410 SS	3
4	210-0240	ELECTRODE - DUAL TIP "L" SHAPE- ROTISSERIE	1
5	510-0469	ALX2 - ROTISSERIE PIPING SUBASSEMBLY	1
6	510-0512	ALX2-42 - ROTISSERIE PANEL - WELDED PARTS	1



ITEM	PART NO.	DESCRIPTION	QTY
1	200-0087	WASHER - 1/4" SPRING LOCK- REGULAR - SS	4
2	200-0219	HEX HD MACHINE SCREW 1/4-20 UNC X 5/8 LONG SS	4
3	200-0361	SCREW 8-32 X 5/8" - FLAT HEAD 82° - PHILLIPS	4
4	210-0571	ALFRESCO 3-1/8 DIA ALXE THERMOMETER	1
5	290-0400	ALFRESCO BBQ / RANGE HANDLE END CAP	2
6	290-0417	ALXE-42 BARBECUE HOOD HANDLE	1
7	510-0896	FRONT HOOD (WELDED PARTS)	1
8	510-0924	SPIRAL TORSION SPRING LT	1
9	510-0925	SPIRAL TORSION SPRING RT	1



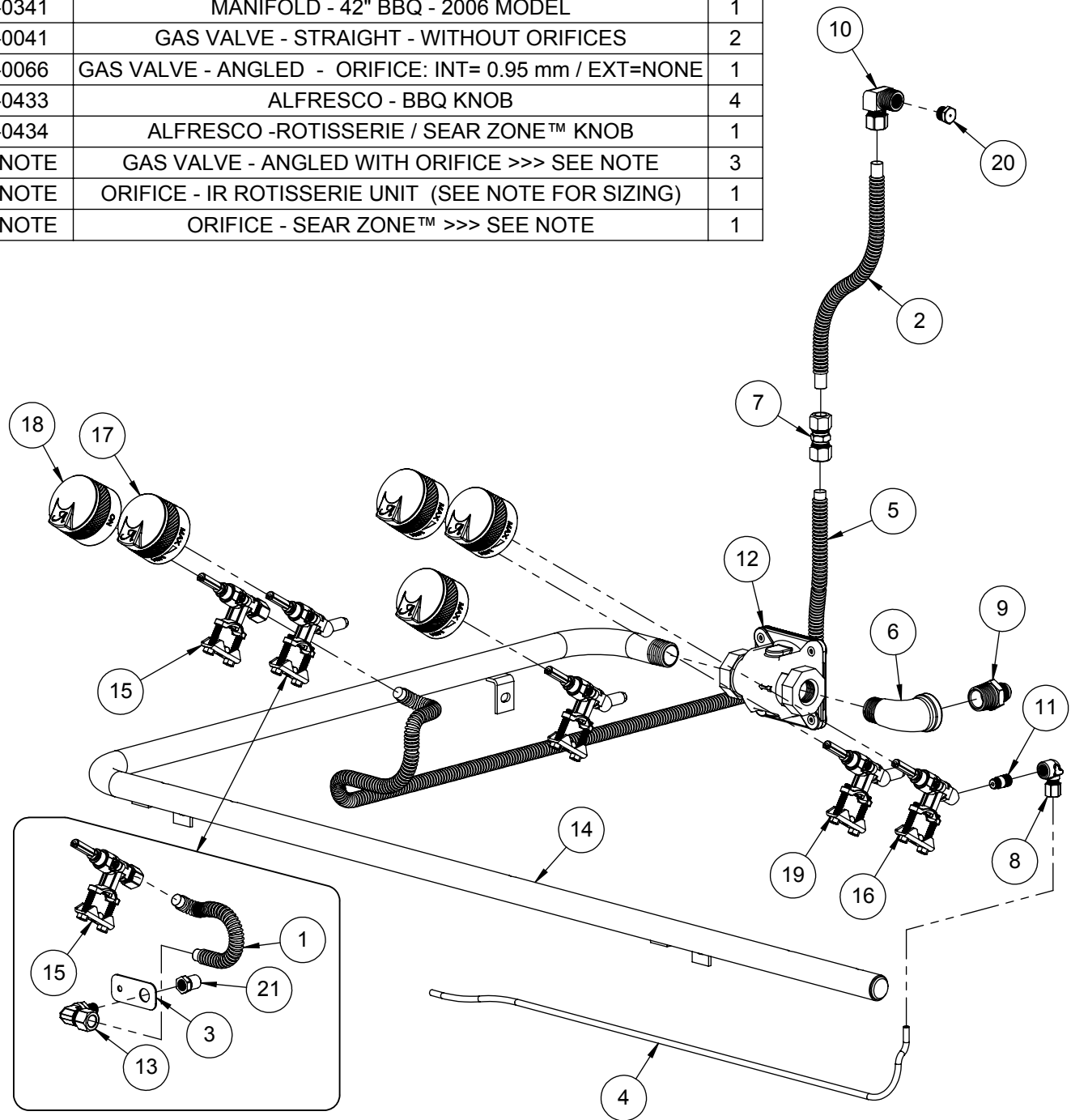
ITEM	PART NO.	DESCRIPTION	QTY
1	100-1894	ALX2 - BRIQUETTE TRAY BASE	1
2	100-1895	ALX2 - BRIQUETTE LOCK BAR	3
3	200-0312	SCREW 8-32 x 3/4"- PAN HEAD - PHILLIPS - THREAD CUTTER TYPE F	9
4	265-0005	BRIQUETTE - ALFRESCO CUSTOM	24



ITEM	PART NO.	DESCRIPTION	QTY
1	100-0917	SEAR ZONE™ GAS LINE (8"L x 3/8" Ø - SS. FLEX TUBE)	1
2	100-0917	ROTISSERIE GAS LINE EXTENSION - 3/8"Ø X 8" - SS	1
3	100-1067	ALX2- SMOKER & SZ™ ORIFICE BRACKET	1
4	100-1948	ALX2-42 SMOKER GAS LINE	1
5	100-1949	ROTISSERIE GAS LINE (36"L x 3/8" Ø - SS. FLEX TUBE)	1
6	200-0274	ELBOW 90° - CAST IRON - 1/2" FPT x 1/2" MPT	1
7	220-0151	COUPLING 3/8" x 3/8" - COMPRESSION - BRASS	1
8	220-0273	ELBOW 90° - 1/8" FPT x 3/16" COMP	1
9	220-0275	NIPPLE - 1/2" MPT X 3/8" OD FL	1
10	220-0276	ELBOW 3/8" MPT x 1/8" FPT x 3/8" COMP	1
11	220-0277	NIPPLE 1/8"MPT x 1/16"MPT	1
12	220-0280	REGULATOR GAS - MAXITROL RV48CL440002	1
13	220-0293	ELBOW 3/8-27 UNS x 3/8" COMP	1
14	220-0341	MANIFOLD - 42" BBQ - 2006 MODEL	1
15	290-0041	GAS VALVE - STRAIGHT - WITHOUT ORIFICES	2
16	290-0066	GAS VALVE - ANGLED - ORIFICE: INT= 0.95 mm / EXT=NONE	1
17	290-0433	ALFRESCO - BBQ KNOB	4
18	290-0434	ALFRESCO -ROTISSERIE / SEAR ZONE™ KNOB	1
19	SEE NOTE	GAS VALVE - ANGLED WITH ORIFICE >>> SEE NOTE	3
20	SEE NOTE	ORIFICE - IR ROTISSERIE UNIT (SEE NOTE FOR SIZING)	1
21	SEE NOTE	ORIFICE - SEAR ZONE™ >>> SEE NOTE	1

NOTE: ORIFICE OR VALVE ASSEMBLY TO CHANGE ACCORDING TO FUEL SUPPLY: NATURAL GAS OR LIQUID PROPANE

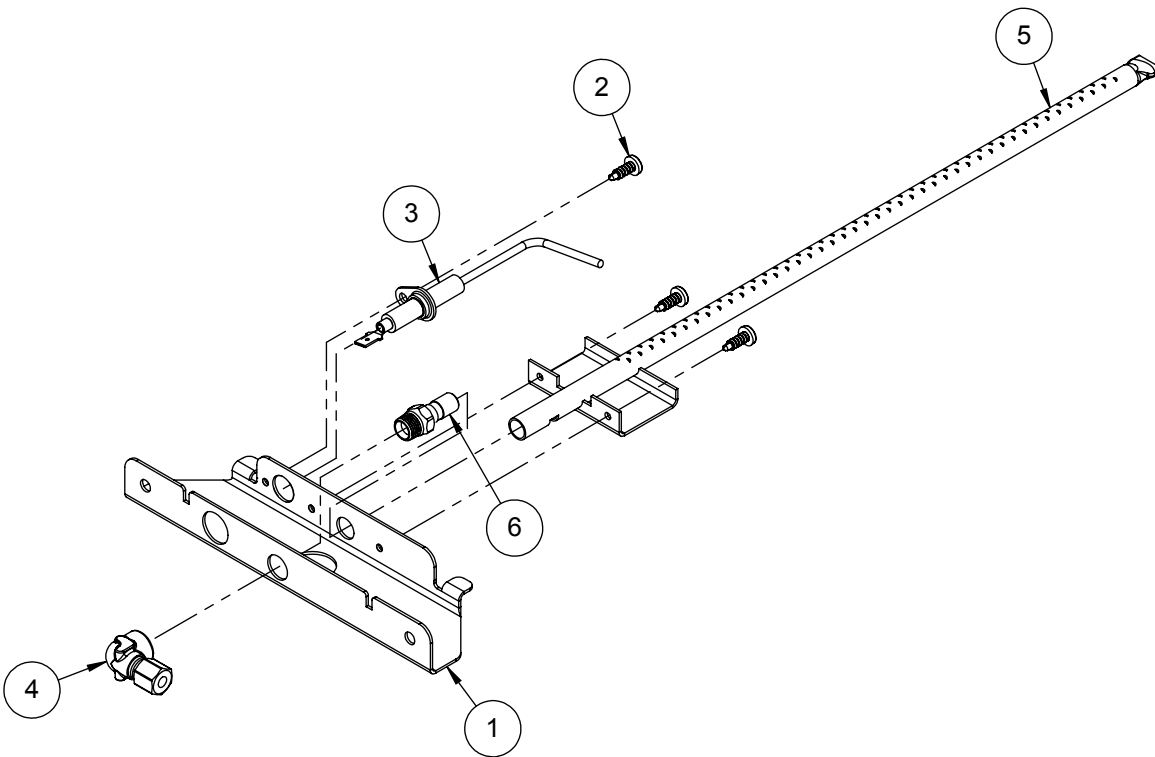
ITEM	NG GAS PART #	LP GAS PART #
19	290-0310	290-0311
20	220-0285	220-0286
21	220-0289	220-0290



ITEM	PART NUMBER	DESCRIPTION	QTY
1	130-3019	MOUNTING BRACKET	1
2	200-0111	SCREW 8-18 X 1/2 - SELF TAP - 410 SS	3
3	210-0189	ELECTRODE - "L" SHAPED - MAIN BURNER	1
4	220-0273	ELBOW 90° - 1/8" FPT x 3/16" COMP	1
5	510-0504	ALX2 - SMOKER BURNER ASSEMBLY	1
6	SEE NOTE	ORIFICE - SMOKER UNIT >>> SEE NOTE	1

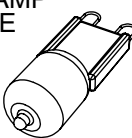
NOTE: ORIFICE OR VALVE ASSEMBLY TO CHANGE ACCORDING TO FUEL SUPPLY: NATURAL GAS OR LIQUID PROPANE

ITEM	NG GAS	LP GAS
	PART #	PART #
6	220-0313	220-0314

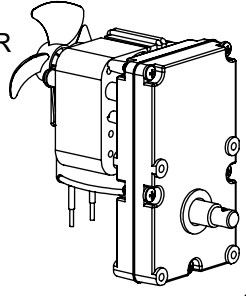


ITEM	PART NUMBER	DESCRIPTION	QTY
1	210-0189	ELECTRODE - "L" SHAPED - U-BURNER / SMOKER	3
2	210-0192	ELECTRODE - DUAL TIP - SEARZONE™	1
3	210-0240	ELECTRODE - DUAL TIP "L" SHAPE- ROTISSERIE	1
4	210-0466	IGNITER MODULE (6 POINTS)	1
5	210-0509	LAMP ASSEMBLY (32" WIRE LENGTH)	1
6	210-0510	LAMP ASSEMBLY (56" WIRE LENGTH)	1
7	210-0521	ALX2-42 / 42SZ - IGNITER WIRE KIT	1
8	210-0626	ALXE PERIMETER LIGHT SWITCH	1
9	510-0514	ALX2 - ROTISSERIE MOTOR BOX ASSEMBLY	1

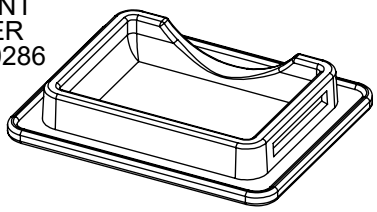
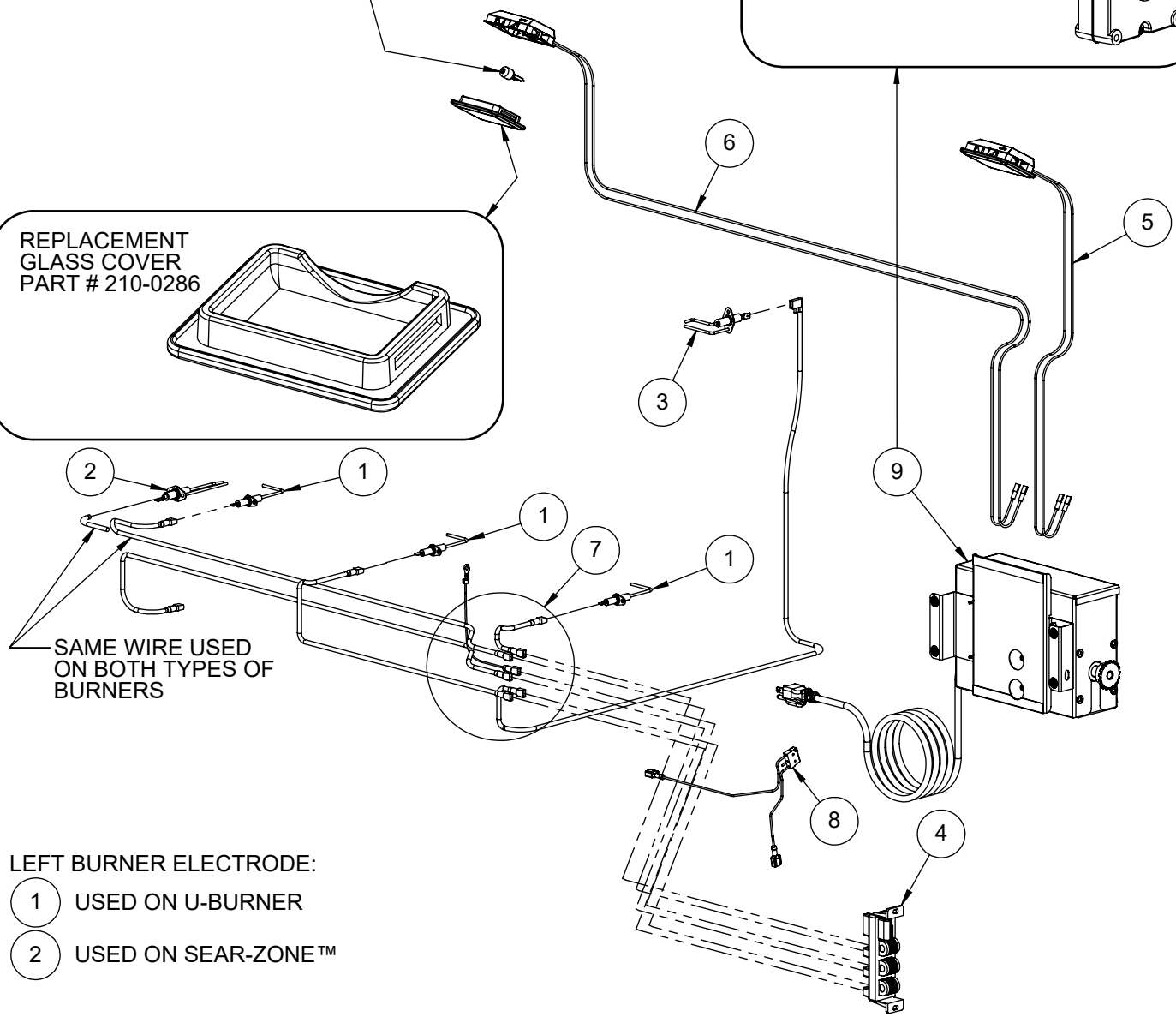
REPLACEMENT LAMP
G940120 - G9 BASE
40W - 120 VAC
PART # 210-0317



REPLACEMENT
ROTISSERIE MOTOR
PART # 210-0235



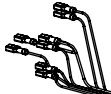
REPLACEMENT
GLASS COVER
PART # 210-0286

SAME WIRE USED
ON BOTH TYPES OF
BURNERS

- LEFT BURNER ELECTRODE:
- 1 USED ON U-BURNER
 - 2 USED ON SEAR-ZONE™

CONNECTIONS: NEUTRAL TO TRANSFORMER,
POWER TO TRANSFORMER AND IGNITER, LIGHTS
& ROTISSERIE SWITCHS. FRONT LEFT.

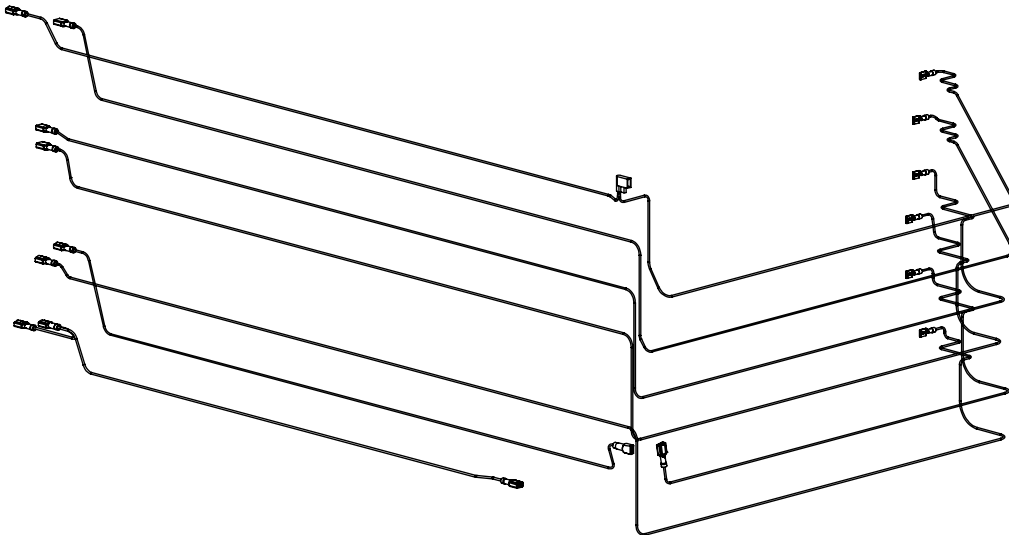


CONNECTIONS IN
MOTOR BOX AT
REAR RIGHT.



CONNECTIONS: IGNITER NEUTRAL & POWER,
PERIMETER LIGHT SWITCH NEUTRAL & POWER,
AND POWER TO TRANSFORMER. FRONT RIGHT.

WIRING HARNESS PART NUMBER 210-0614



EXPLODED VIEW OF WIRING HARNESS
NOTE: INDIVIDUAL WIRES ARE NOT SOLD SEPARATELY

Alfresco[™]

Open Air Culinary Systems

ALXE-42 PARTS MANUAL

ALFRESCO[™] GOURMET GRILLS

ALL RIGHTS RESERVED 02/2016