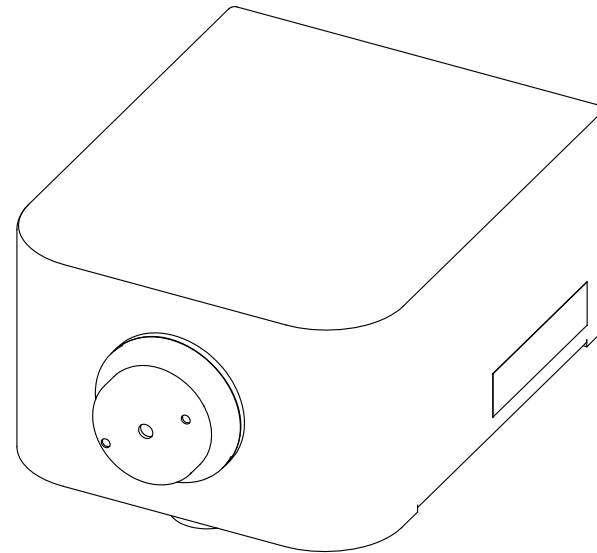
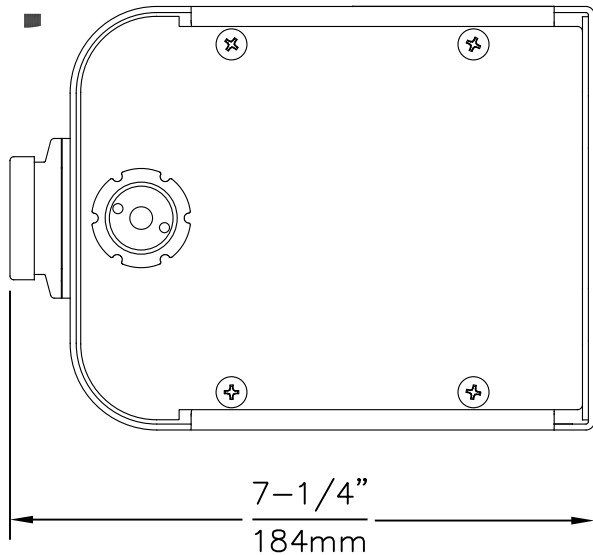



1920 MOUNTING HOLE LOCATIONS



NOTES:

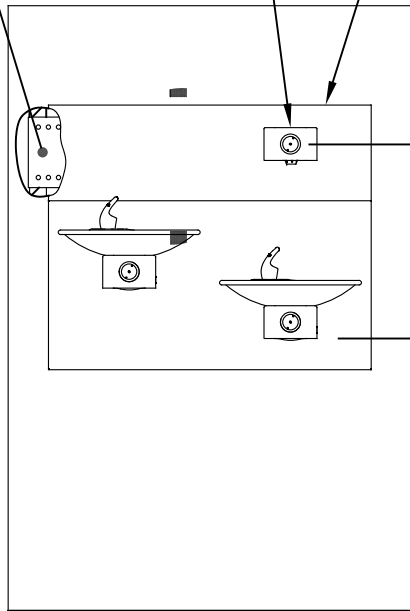
1. SEE SEPARATE INSTALLATION DRAWINGS FOR MOUNTING PLATES AND BACKPANELS
2. WHEN INSTALLING THIS UNIT, LOCAL, STATE OR FEDERAL CODES SHOULD BE ADHERED TO FOR INSTALLATION LOCATIONS, WASTE & SUPPLY REQUIREMENTS OTHER THAN SHOWN.

 <b>Haws</b> <sup>®</sup>		1455 KLEPPE LANE SPARKS, NEVADA 89431 (775) 359-4712 FAX (775) 359-7424 E-MAIL: HAWS@HAWS.CO.COM WEBSITE: WWW.HAWS.CO.COM	
		ECN NO. 5081 DRAWN: DS APPROVED: FV	REVISED PER: ECN: 5188 DATE: 05/25/16 DATE: 07/06/17
PART NUMBER 0510000490.D			REVISION 3
SCALE: N/A		DRAWING TYPE: INSTALLATION	SIZE: A SHEET 1 OF 5

6700.4L MOUNTING PLATE  
(BEHIND FINISH WALL)  
- OR -  
6700R RETROFIT PLATE  
(ON TOP OF FINISH WALL)

1920/1920HPS

BP32/BP32HPS  
(IF FOUNTAIN  
HIGH/LOW SIDES  
ARE REVERSED  
USE BP32R)



(46-1/4")  
(1175mm)  
BUTTON  
HEIGHT  
FOR ADA  
COMPLIANCE

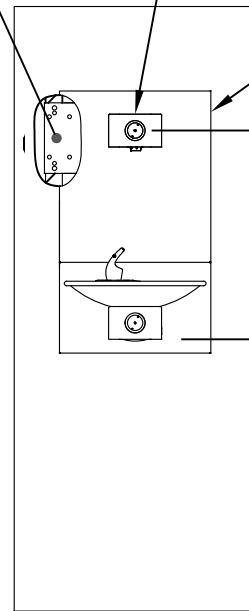
(27")  
(686mm)

**INSTALLATION ABOVE HAWS 1011, 1011HPS,  
1011HPSMS, 1011MS, H1011.8, H1011.8HO, H1011.8HPS**

6700 MOUNTING PLATE  
(BEHIND FINISH WALL)  
- OR -  
6700R RETROFIT PLATE  
(ON TOP OF FINISH WALL)

1920/1920HPS

BP15/BP15HPS



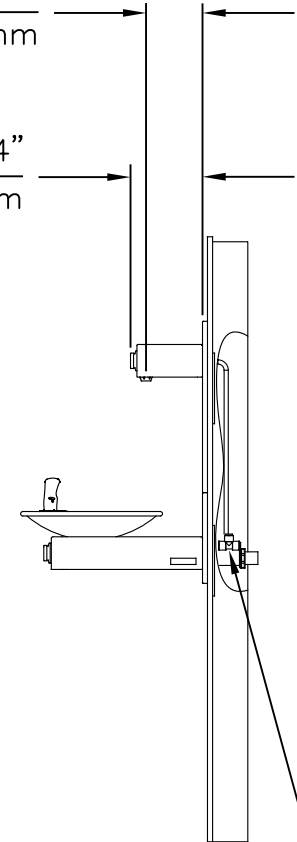
(47-1/2")  
(1206mm)  
BUTTON  
HEIGHT  
FOR ADA  
COMPLIANCE

(27")  
(686mm)

**INSTALLATION ABOVE HAWS 1001, 1001HPS,  
1001HPSMS, 1001MS, H1001.8, H1001.8HPS**

5-5/8"  
143mm

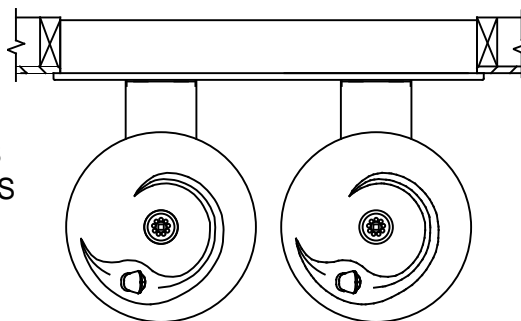
7-1/4"  
184mm




3/8" PUSH IN TEE  
(CONNECT TO  
FOUNTAIN SUPPLY)

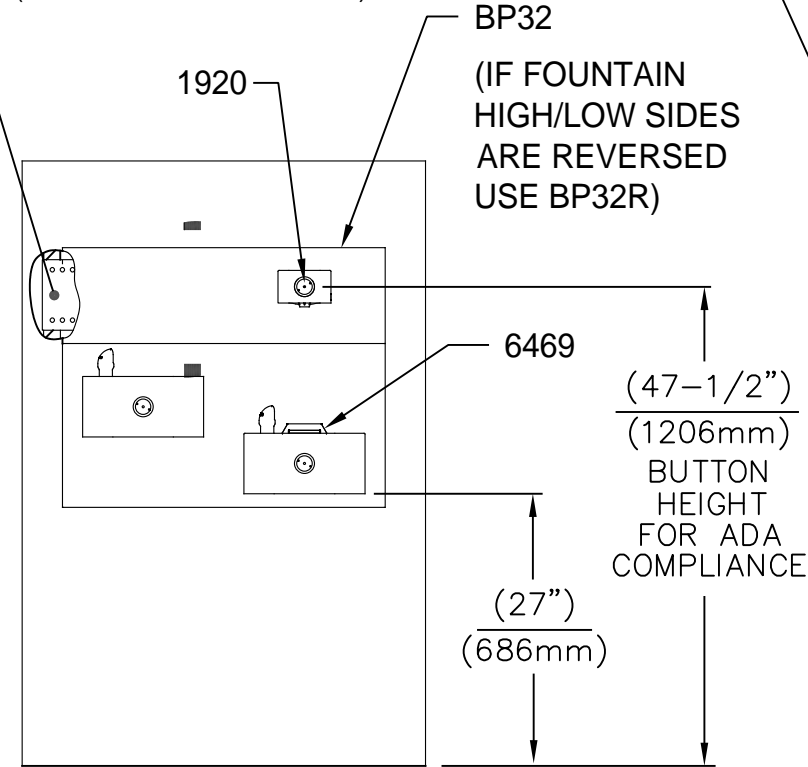
\* IF YOUR FOUNTAIN IS THIS STYLE USE  
THESE DIMENSIONS

1. SEE SEPARATE INSTALLATION DRAWINGS FOR MOUNTING PLATES AND BACKPANELS
2. WHEN INSTALLING THIS UNIT, LOCAL, STATE OR FEDERAL CODES SHOULD BE ADHERED TO FOR INSTALLATION LOCATIONS, WASTE & SUPPLY REQUIREMENTS OTHER THAN SHOWN.



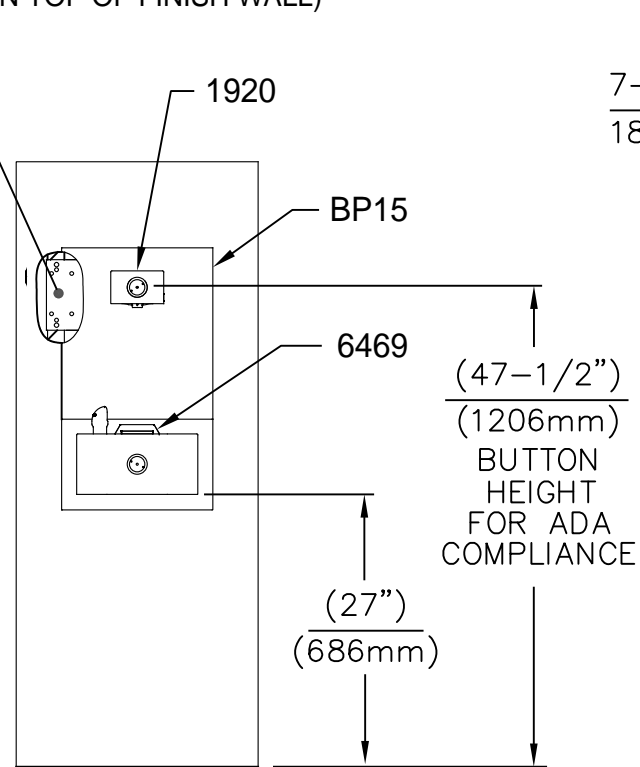
		1455 KLEPPE LANE SPARKS, NEVADA 89431 (775) 359-4712 FAX (775) 359-7424 E-MAIL: HAWS@HAWS.CO.COM WEBSITE: WWW.HAWS.CO.COM	
		ECN NO. 5081 DRAWN: MJ APPROVED: FV	REVISED PER: 5188 DATE: 01/30/17 DATE: 07/06/17
PART NUMBER 0510000490.D			REVISION 3
SCALE: N/A		DRAWING TYPE: INSTALLATION	SIZE: A SHEET 2 OF 5

6700.4L MOUNTING PLATE  
(BEHIND FINISH WALL)  
- OR -  
6700R RETROFIT PLATE  
(ON TOP OF FINISH WALL)

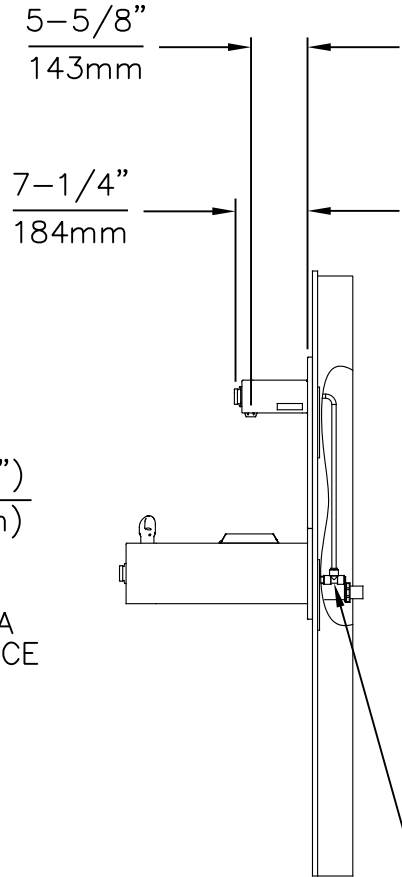


**INSTALLATION ABOVE HAWS 1119, 1119.14, H1119.8**

6700 MOUNTING PLATE  
(BEHIND FINISH WALL)  
- OR -  
6700R RETROFIT PLATE  
(ON TOP OF FINISH WALL)

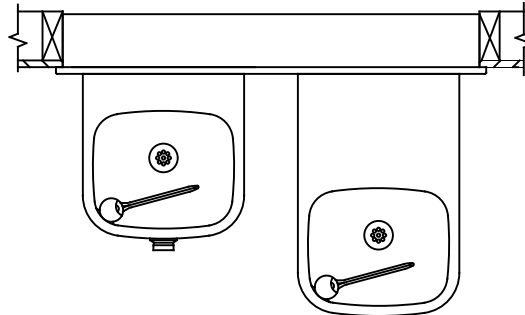


**INSTALLATION ABOVE HAWS 1109,  
1109.14, H1109.8**



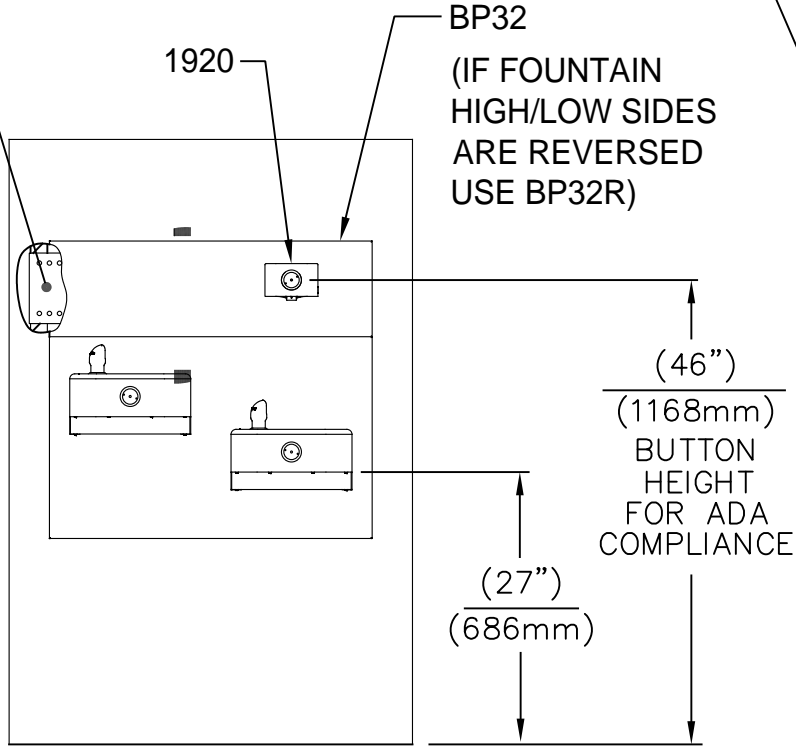
\* IF YOUR FOUNTAIN IS THIS STYLE USE THESE DIMENSIONS

1. SEE SEPARATE INSTALLATION DRAWINGS FOR MOUNTING PLATES, BACKPANELS & DRIP TRAY
2. WHEN INSTALLING THIS UNIT, LOCAL, STATE OR FEDERAL CODES SHOULD BE ADHERED TO FOR INSTALLATION LOCATIONS, WASTE & SUPPLY REQUIREMENTS OTHER THAN SHOWN.



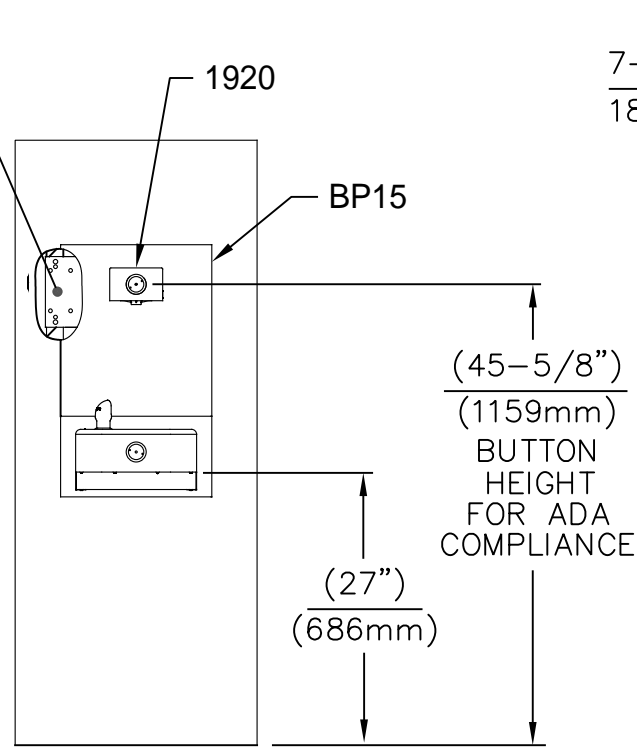
		1455 KLEPPE LANE SPARKS, NEVADA 89431 (775) 359-4712 FAX (775) 359-7424 E-MAIL: HAWS@HAWS.CO.COM WEBSITE: WWW.HAWS.CO.COM	
ECN NO. 5081	REVISED PER ECN: 5188	BY: JP	MODEL(S)
DRAWN: MJ	DATE: 01/30/17	CHK'D.: VWC	MODEL 1920/1920HPS/1920W
APPROVED: FV	DATE: 07/06/17	SCALE: N/A	DRAWING TYPE: INSTALLATION
PART NUMBER 0510000490.D			REVISION 3
SHEET 3 OF 5			

6700.4L MOUNTING PLATE  
(BEHIND FINISH WALL)  
- OR -  
6700R RETROFIT PLATE  
(ON TOP OF FINISH WALL)

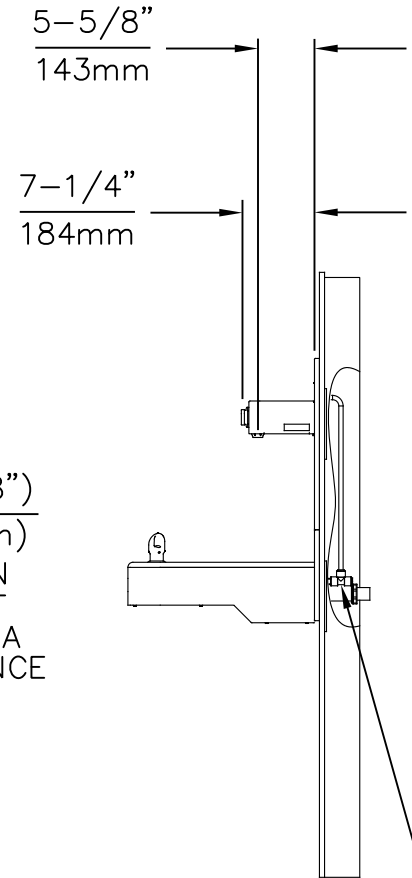


**INSTALLATION ABOVE HAWS 1117L, H1117.8**

6700 MOUNTING PLATE  
(BEHIND FINISH WALL)  
- OR -  
6700R RETROFIT PLATE  
(ON TOP OF FINISH WALL)



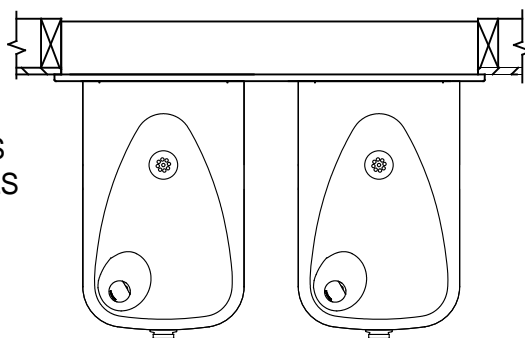
**INSTALLATION ABOVE HAWS 1107L, H1107.8**



3/8" PUSH IN TEE  
(CONNECT TO  
FOUNTAIN SUPPLY)

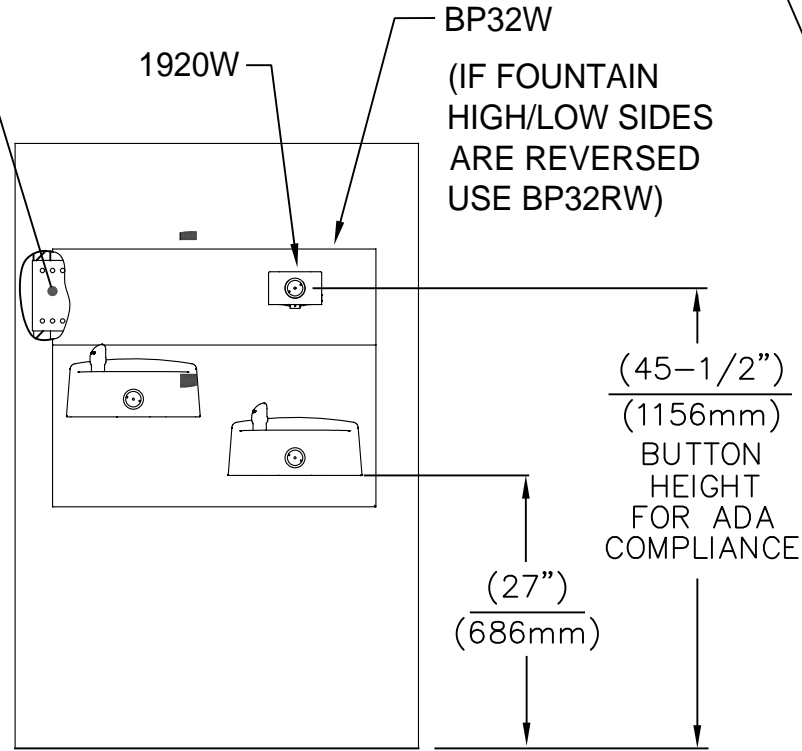
\* IF YOUR FOUNTAIN IS THIS STYLE USE THESE DIMENSIONS

1. SEE SEPARATE INSTALLATION DRAWINGS FOR MOUNTING PLATES AND BACKPANELS
2. WHEN INSTALLING THIS UNIT, LOCAL, STATE OR FEDERAL CODES SHOULD BE ADHERED TO FOR INSTALLATION LOCATIONS, WASTE & SUPPLY REQUIREMENTS OTHER THAN SHOWN.



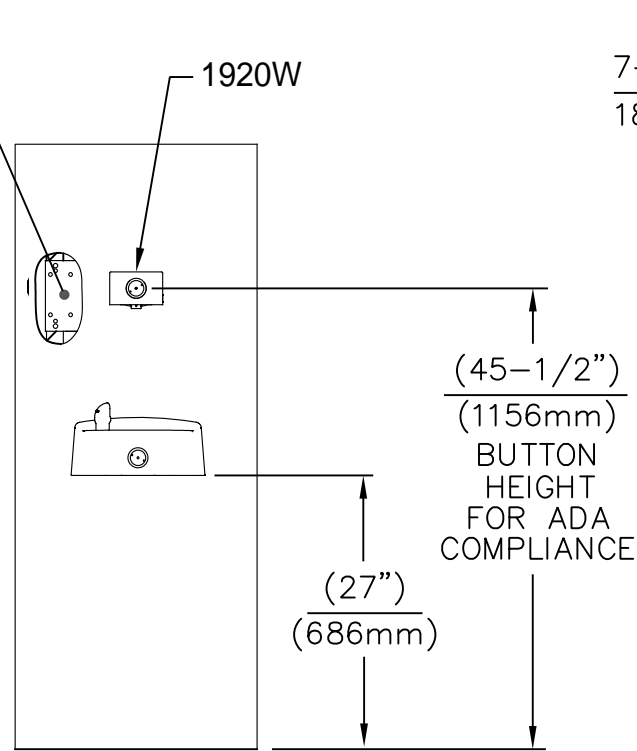
		1455 KLEPPE LANE SPARKS, NEVADA 89431 (775) 359-4712 FAX (775) 359-7424 E-MAIL: HAWS@HAWS.CO.COM WEBSITE: WWW.HAWS.CO.COM	
ECN NO. 5081	REVISED PER ECN: 5188	BY: JP	MODEL(S)
DRAWN: MJ	DATE: 01/30/17	CHK'D.: VWC	MODEL 1920/1920HPS/1920W
APPROVED: FV	DATE: 07/06/17	SCALE: N/A	DRAWING TYPE: INSTALLATION
		SIZE: A	SHEET 4 OF 5
		PART NUMBER 0510000490.D	REVISION 3

6700.4L MOUNTING PLATE  
(BEHIND FINISH WALL)  
- OR -  
6700R RETROFIT PLATE  
(ON TOP OF FINISH WALL)

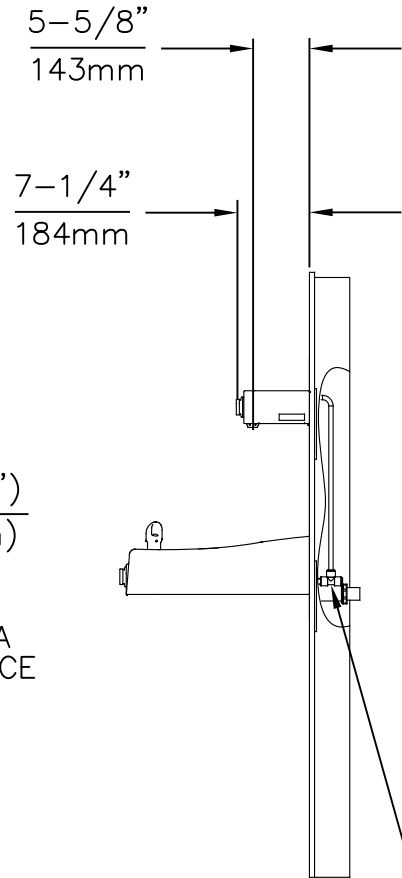


**INSTALLATION ABOVE HAWS 1501**

6700 MOUNTING PLATE  
(BEHIND FINISH WALL)  
- OR -  
BOLT 1920 ON TO  
EXISTING WALL



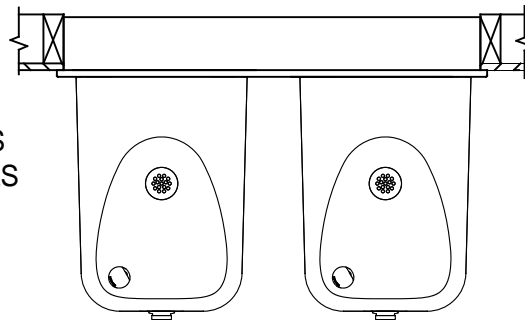
**INSTALLATION ABOVE HAWS 1311**



3/8" PUSH IN TEE  
(CONNECT TO  
FOUNTAIN SUPPLY)

\* IF YOUR FOUNTAIN IS THIS STYLE USE THESE DIMENSIONS

1. SEE SEPERATE INSTALLATION DRAWINGS FOR MOUNTING PLATES AND BACKPANELS
2. WHEN INSTALLING THIS UNIT, LOCAL, STATE OR FEDERAL CODES SHOULD BE ADHERED TO FOR INSTALLATION LOCATIONS, WASTE & SUPPLY REQUIREMENTS OTHER THAN SHOWN.



		1455 KLEPPE LANE SPARKS, NEVADA 89431 (775) 359-4712 FAX (775) 359-7424 E-MAIL: HAWS@HAWS.CO.COM WEBSITE: WWW.HAWS.CO.COM	
ECN NO. 5081	REVISED PER ECN: 5188	BY: JP	MODEL(S)
DRAWN: MJ	DATE: 02/13/17	CHK'D.: VWC	MODEL 1920/1920HPS/1920W
APPROVED: FV	DATE: 07/06/17	SCALE: N/A	DRAWING TYPE: INSTALLATION
PART NUMBER 0510000490.D			REVISION 3
SHEET 5 OF 5			SIZE: A