

## FEATURES & BENEFITS

### BOTTLE FILLER VALVE

With its patented stainless steel, push-button activated valve assembly which allows for front access stream adjustment as well as cartridge and strainer access, this bottle filler offers 100% lead free waterways. The valve works at an operating pressure range of 30 to 90 psi (2.1 to 6.2 bar).

### CONSTRUCTION

Unit is made of 14 gauge Type 304 stainless steel with a satin finish that resists stains and corrosion, and has soft rounded corners. Unit features vandal-resistant bottom plate and dispensing nozzle.

### VANDAL-RESISTANT

The push button and bottom plate are locked in place, discouraging unwanted vandal tampering.

### LAMINAR FLOW

Adjustable, splash-free, 1 gpm (3.78 L) laminar water flow.

### EFFICIENT & FLEXIBLE INSTALLATION

Unit is designed for retrofit or new construction applications. No drain required for mounting over existing drinking fountain.

### MOUNTING OPTIONS

Select from mounting plate and back panel models to complete installation. Unit can mount on various wall types.



## SPECIFICATIONS

Model 1920 wall mounted vandal-resistant bottle filler shall include 100% lead-free waterways, satin stainless steel construction, 1 gpm (3.78 L) laminar flow, push-button operated stainless steel valve with front-accessible cartridge and flow adjustment. It can be used as a stand-alone station or mounted above the Haws® 1001, 1011, 1107L, 1109, 1117L, and 1119 series drinking fountains.

## OPTIONS

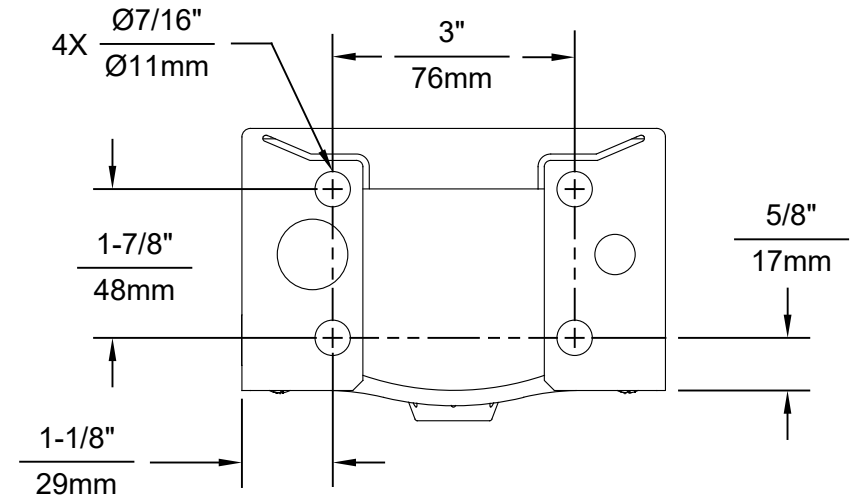
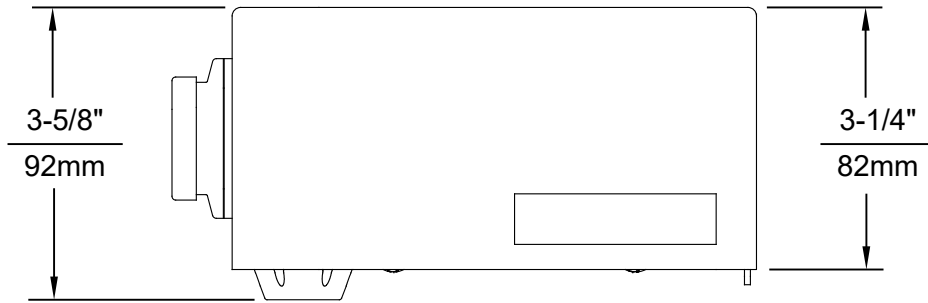
- Mounting Plate: Model 6700 in-wall mounting plate is used with the 1920 series bottle fillers for single or dual fountain retrofit installations.
- Mounting Plate: Model 6700R on-wall mounting plate is used with the 1920 series bottle fillers for single or dual fountain retrofit installations.
- Back Panel: Model BP15, satin finish stainless steel 15 inch back panel for Model 1920 over a single fountain.
- Back Panel: Model BP32, satin finish stainless steel 32" back panel for model 1920 bottle filler over a dual fountain.
- Drain Basin: Model 6468 drip tray accessory catches unused bottle filler water.

## APPLICATIONS

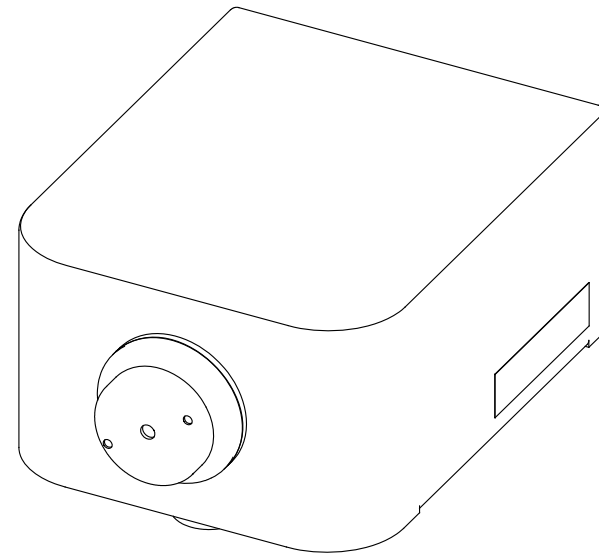
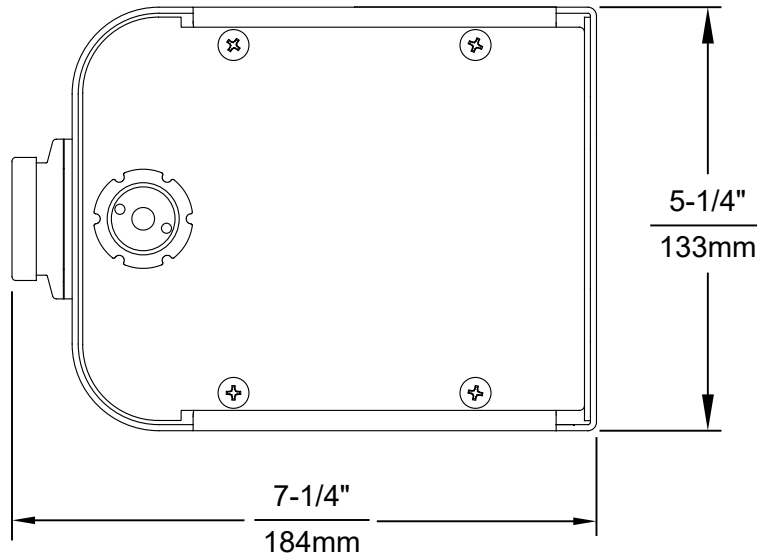
This type of wall mounted bottle filler may be placed in settings such as schools and other locations in and around office buildings with existing fountain installations where the temperature remains above freezing. Haws manufactures drinking fountains, faucets and electric water coolers to be lead-free by all known definitions including NSF/ANSI/CAN 61-Section 9, NSF/ANSI/CAN 372, California Proposition 65, and the Federal Safe Drinking Water Act. Product is compliant to California Health and Safety Code 116875 (AB 1953-2006), and NSF/ANSI/CAN 61: Q ≤ 1.



For more information, visit [www.hawsco.com](http://www.hawsco.com) or call (888) 640-4297.




1920 MOUNTING HOLE LOCATIONS



NOTES:

1. SEE SEPARATE INSTALLATION DRAWINGS FOR MOUNTING PLATES AND BACKPANELS
2. WHEN INSTALLING THIS UNIT, LOCAL, STATE OR FEDERAL CODES SHOULD BE ADHERED TO FOR INSTALLATION LOCATIONS, WASTE & SUPPLY REQUIREMENTS OTHER THAN SHOWN.

		<b>Haws®</b>		1455 KLEPPE LANE SPARKS, NEVADA 89431 (775) 359-4712 FAX (775) 359-7424 E-MAIL: HAWS@HAWS.CO.COM WEBSITE: WWW.HAWS.CO.COM	
ECN NO. 5081	REVISED PER ECN: 5744	BY: FV	MODEL(S) 1920/1920HPS/1920W		PART NUMBER 0510000490.D
DRAWN: DS	DATE: 05/25/16	CHK'D: BJM			REVISION 10
APPROVED: FV	DATE: 10/11/21	SCALE: N/A	DRAWING TYPE: INSTALLATION	SIZE: A	SHEET 1 OF 7