

ASPIRE

BY HESTAN

Side Burner

AEB122

Parts List

Hestan Commercial Corporation

3375 E. La Palma Ave

Anaheim, CA 92806

(888) 905-7463

RETAIN THIS FOR FUTURE REFERENCE

All warranty and non-warranty repairs should be performed by qualified service personnel. To locate an authorized service agent, contact your Hestan dealer, local representative, or the manufacturer. Before you call, please have the model number and serial number information ready.

AEB122-NG AEB122-LP

ITEM	PART NO.	DESCRIPTION	QTY	
A1		SERVICE, ASSY., GAS MANIFOLD, SIDE BURNER, DOUBLE	1	1
A2		SERVICE, ASSY., ELECTRICAL BOX, OUTDOOR SIDE BURNER	1	1
A3		SERVICE, ASSY., BURNER, DUAL STACKED, ALUM., LARGE	1	1
A4		SERVICE, ASSY., BURNER, DUAL STACKED, ALUM., SMALL	1	1
1	014309	REGULATOR, 2-STAGE, LP TANK X 3/8 FLARE	-	1
2	006239	REGULATOR, STRAIGHT-THRU, 1/2"NPT, NG	1	-
3	014990	ASSY., CHIN, ASPIRE SIDE BURNER	1	1
4	011714	SERVICE, WSH, FLAT, 1/4 SAE, SS, PKG 4	1	1
5	010240	SERVICE, NUT, LCK, EXPANDING, 1/4-20, SS, PKG 8	1	1
6	014567	KNOB ASSY., SIDE BURNER, ASPIRE GRILL	2	2
7	011708	SERVICE, MS, 8-32 X .25, PH, PAN, SS, PKG 12	1	1
8	007679	LED LIGHT BAR, SIDE BURNER	1	1
9	014076	CLAMP, WORM-DRIVE, .313-.625 ID RANGE, SS	1	1
10	015016	DRAIN TUBE, ASPIRE SIDE BURNER	1	1
11	017808	SERVICE, PLUG, 1/4-20 SHCS, CHROME, PKG 5	1	1
12	*013489	PANEL, CONTROL, ASPIRE SIDE BURNER, DOUBLE	1	1
13	017429	SERVICE, MS, 10-24 X 1/2, PH, PAN, SS, PKG 6	1	1
14	013244	SWITCH, PUSHBUTTON, 19mm, SPST, 10A, 250VAC	1	1
15	009103	HARNESS, WIRE, SIDE BURNER, DOUBLE	1	1
16	024034	ASSY., COVER, ASPIRE SIDE BURNER, DOUBLE (complete assembly w/ handle & bumpers)	1	1
16.1	011691	SERVICE, BUMPER, PLASTIC, .50 DIAM X 0.11 H, PKG 4	1	1
17	014436	GRATE, ROUND ROD, DOUBLE SIDE BURNER, ASPIRE	1	1
18	015309	MANUAL, USE & CARE, OUTDOOR SIDE BURNER, ASPIRE	1	1
19	008666-045	ORIFICE, SIDE BURNER, NG, #45	1	-
	008665-056	ORIFICE, SIDE BURNER, LP, #56	-	1
20	008666-065	ORIFICE, SIDE BURNER, NG, #65	1	-
	008665-075	ORIFICE, SIDE BURNER, LP, #75	-	1
21	008666-054	ORIFICE, SIDE BURNER, NG, #54	1	-
	008665-065	ORIFICE, SIDE BURNER, LP, #65	-	1
22	008675-067	ORIFICE, SIDE BURNER, NG, #67	1	-
	008675-076	ORIFICE, SIDE BURNER, LP, #76	-	1

COLOR CODE	COLOR
BK	Stealth - Black
RD	Matador - Red
OR	Citra - Orange
BU	Prince - Blue



*FOR COLORS, ADD 2 LETTER COLOR CODE TO END OF PART NUMBER (e.g., 000123-BK)

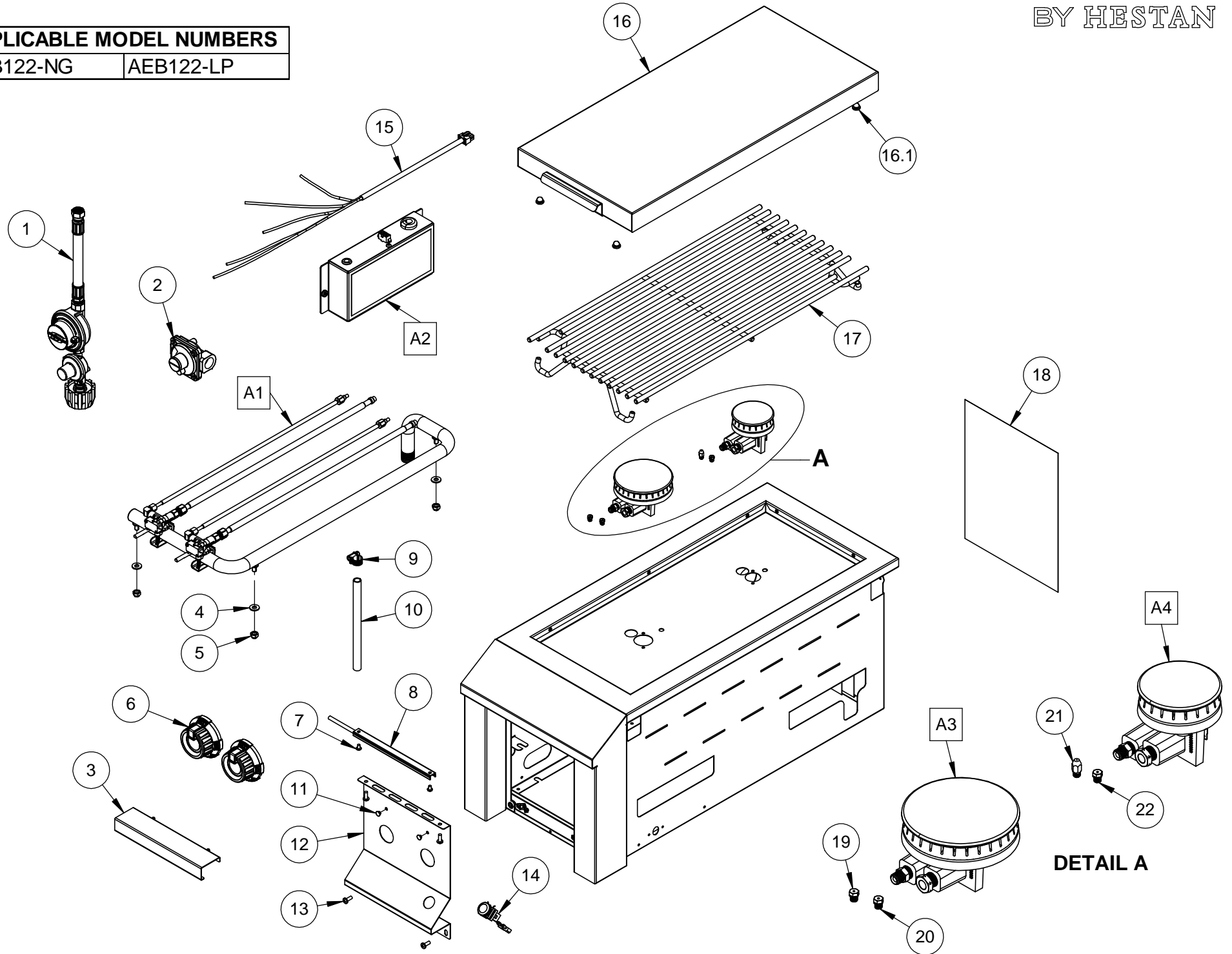
REPLACEMENT PARTS - DOUBLE SIDE BURNER

ASPIRE
BY HESTAN

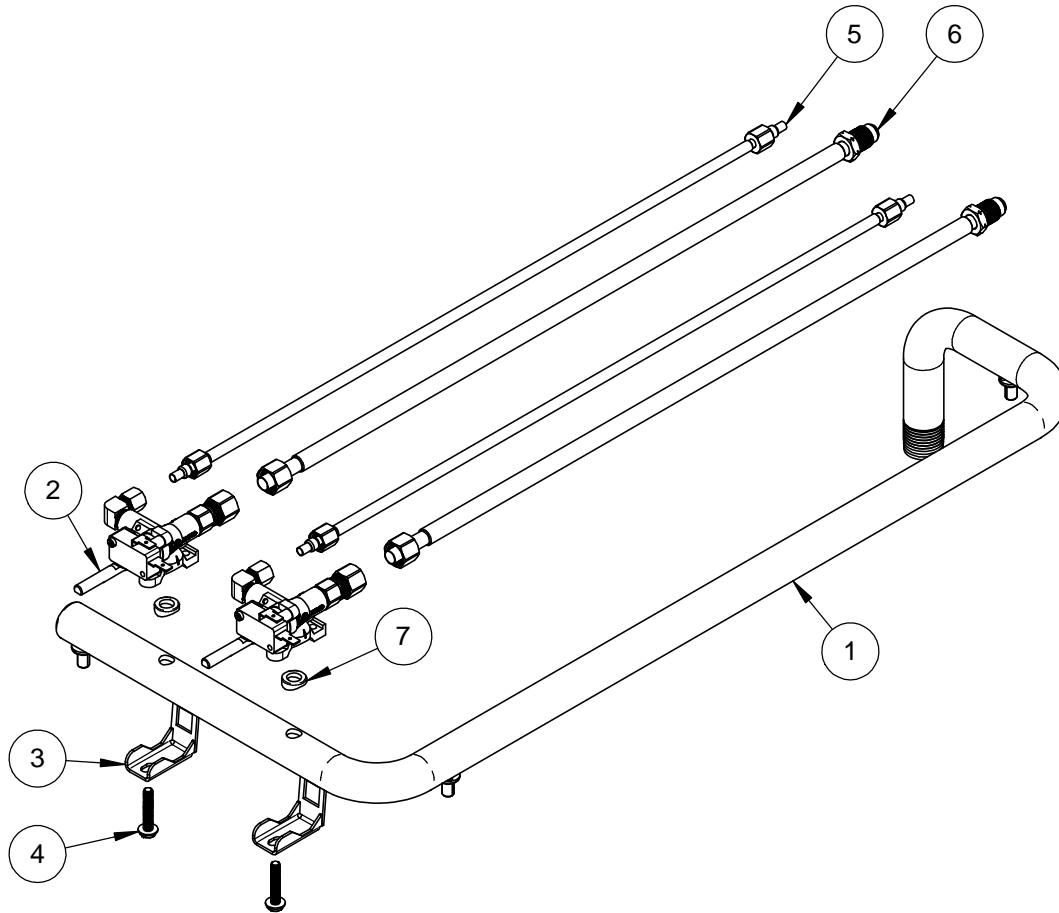
APPLICABLE MODEL NUMBERS

AEB122-NG

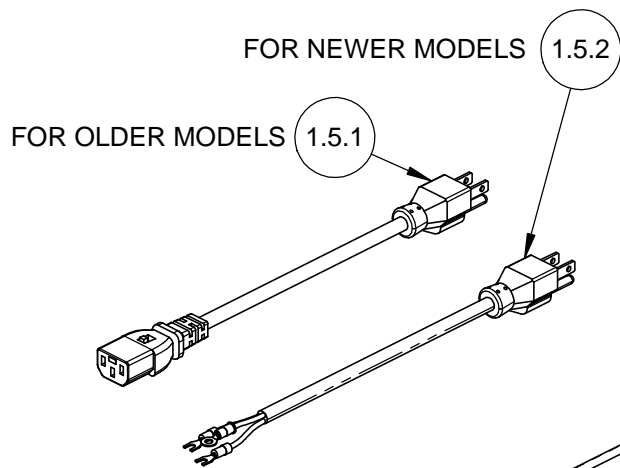
AEB122-LP



ITEM	PART NUMBER	DESCRIPTION	QTY
1	007421	MANIFOLD, SIDE BURNER, DOUBLE, WA	1
2	007174	VALVE, SADDLE-MOUNT, DUAL, AX00B	2
3	006997	CLAMP, GAS VALVE	2
4	010345	SERVICE, MS, 10-32 X 1.00, SL, HEXWAS, SS, PKG 4	1
5	005688	HOSE, FLEX, 3/16 OD, 18", F-F, NUT/FERRULE	2
6	017423	SERVICE, HOSE, FLEX, 5/16 OD, 18", F-F	2
7	006946	GASKET, VALVE, SADDLE-MOUNT, SEVEN-U	2

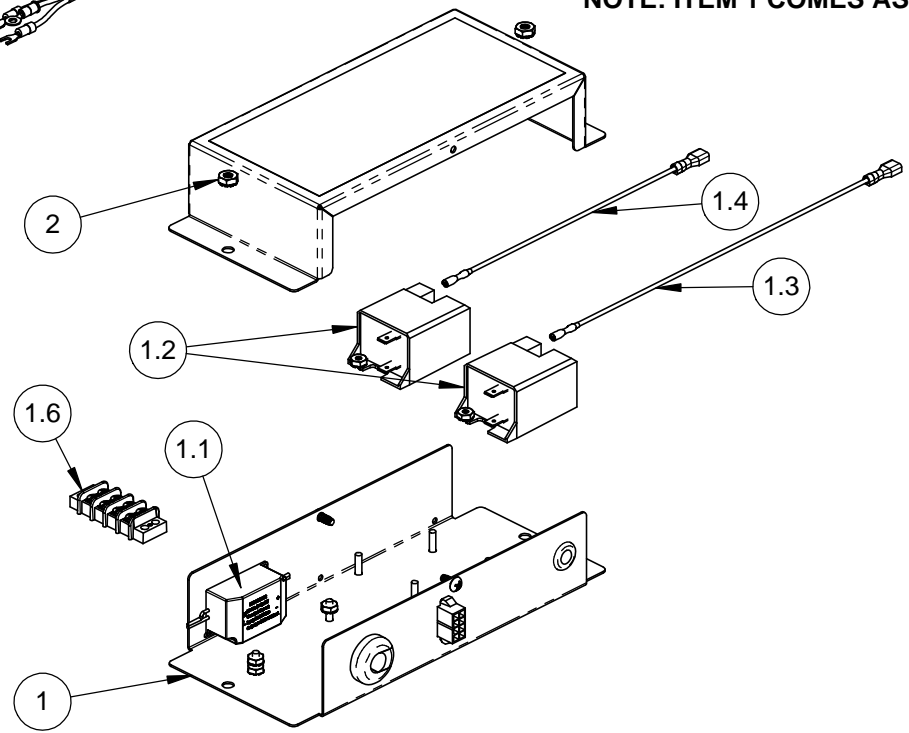


DESCRIPTION	SERVICE, ASSY., GAS MANIFOLD, SIDE BURNER, DOUBLE
DRAWING NO	A1



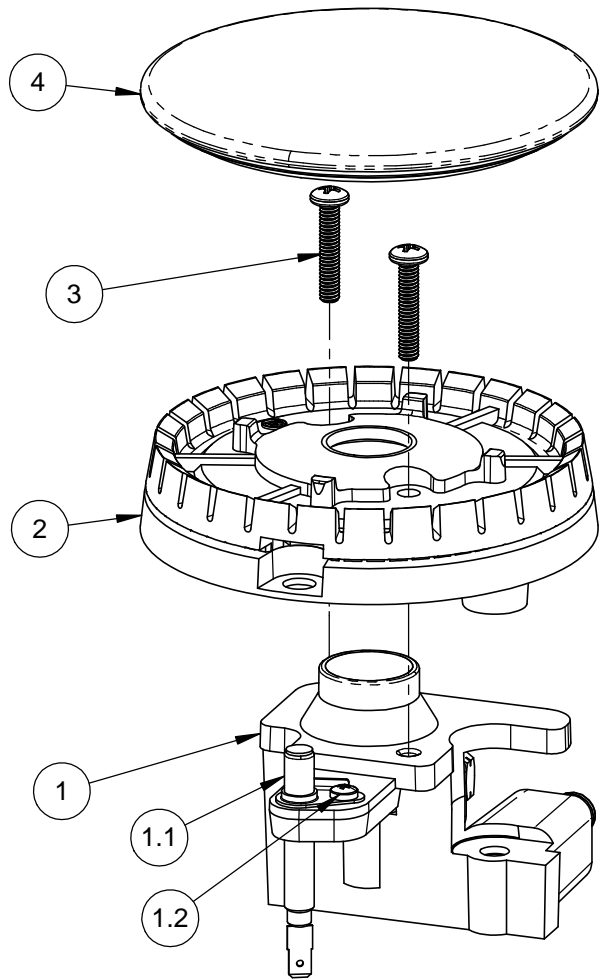
ITEM	PART NUMBER	DESCRIPTION	QTY	
			AEB121	AEB122
1	008380-001	ASSY., ELECTRICAL BOX, SIDE BURNER, SINGLE	1	-
	008380-002	ASSY., ELECTRICAL BOX, SIDE BURNER, DOUBLE	-	1
1.1	024038	SERVICE, KIT, LED DRIVER REPLACEMENT, SIDE BURNER	1	1
1.2	000529	MODULE, EGO RE-IGNITER, RI120A-1	1	2
1.3	011658	SERVICE, WIRE, IGNITER, 18"	-	1
1.4	011655	SERVICE, WIRE, IGNITER, 13"	1	1
1.5.1	009015	CORD, POWER, 6FT, 3 BLADE PLUG	1	1
1.5.2	023755	SERVICE, CORD, POWER, 79", 3 BLADE PLUG, WITH TERMINALS	1	1
1.6	001457	TERMINAL BLOCK, 4 CIRCUIT, 3/8" SPACING	1	1
2	011716	SERVICE, NUT, KEPS, #10-32, SS, PKG 4	1	1

NOTE: ITEM 1 COMES ASSEMBLED WITH ITEMS 1.1 THRU 1.6.



DOUBLE SIDE BURNER ELECTRICAL BOX SHOWN FOR REFERENCE

DESCRIPTION	SERVICE, ASSY., ELECTRICAL BOX, OUTDOOR SIDE BURNER
DRAWING NO	A2

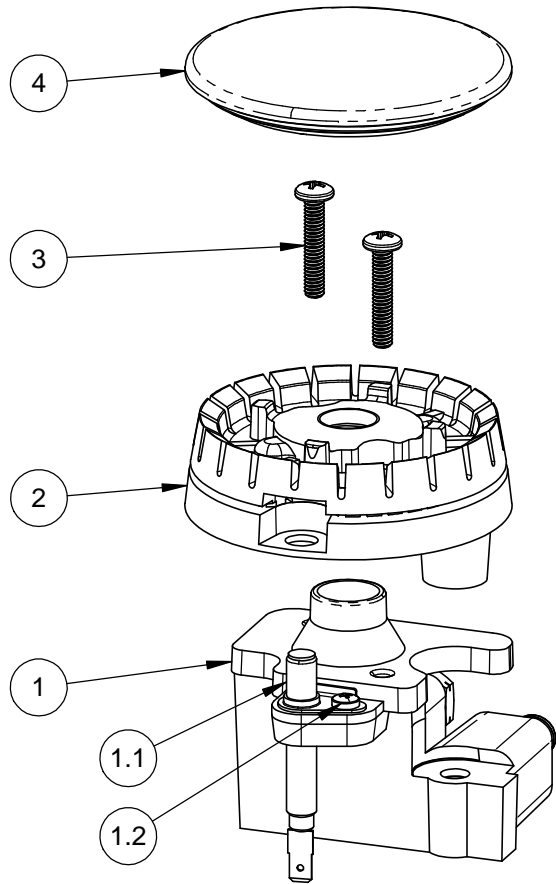


ITEM	PART NO.	DESCRIPTION	QTY.
1	007949	ORIFICE HOLDER, STACKED BURNER, LARGE	1
1.1	010331	SERVICE, ASSY., IGNITER WITH BRACKET	1
1.2	017815	SERVICE, IGNITER SCREW, PKG 2	1
2	014521	BASE, STACKED BURNER, ALUM., LARGE	1
3	017811	SERVICE, MS, 8-32 X .875, PH, PAN, SS, PKG 4	1
4	007951	CAP, STACKED BURNER, LARGE	1

NOTES:

1. ITEM 1 COMES ASSEMBLED WITH ITEMS 1.1 AND 1.2.
2. ORDER P/N 015005 FOR THE COMPLETE ASSEMBLY OF ITEMS 1 THRU 4.

DESCRIPTION	SERVICE, ASSY., BURNER, DUAL STACKED, ALUM., LARGE
DRAWING NO	A3



ITEM	PART NO.	DESCRIPTION	QTY.
1	007952	ORIFICE HOLDER, STACKED BURNER, SMALL	1
1.1	010331	SERVICE, ASSY., IGNITER WITH BRACKET	1
1.2	017815	SERVICE, IGNITER SCREW, PKG 2	1
2	014522	BASE, STACKED BURNER, ALUM., SMALL	1
3	017811	SERVICE, MS, 8-32 X .875, PH, PAN, SS, PKG 4	1
4	007954	CAP, STACKED BURNER, SMALL	1

NOTES:

1. ITEM 1 COMES ASSEMBLED WITH ITEMS 1.1 AND 1.2.
2. ORDER P/N 015006 FOR THE COMPLETE ASSEMBLY OF ITEMS 1 THRU 4.

DESCRIPTION	SERVICE, ASSY., BURNER, DUAL STACKED, ALUM., SMALL
DRAWING NO	A4

ASPIRE

BY HESTAN

Hestan Commercial Corporation

3375 E. La Palma Ave.

Anaheim, CA 92806

(888) 905-7463

RETAIN THIS FOR FUTURE REFERENCE